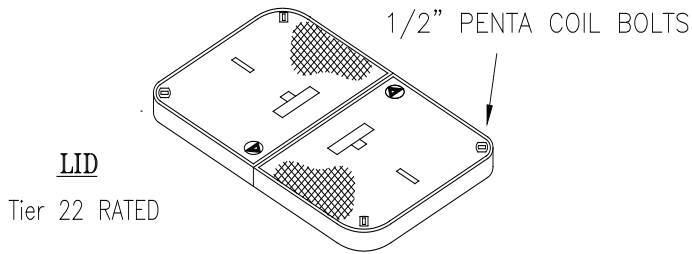
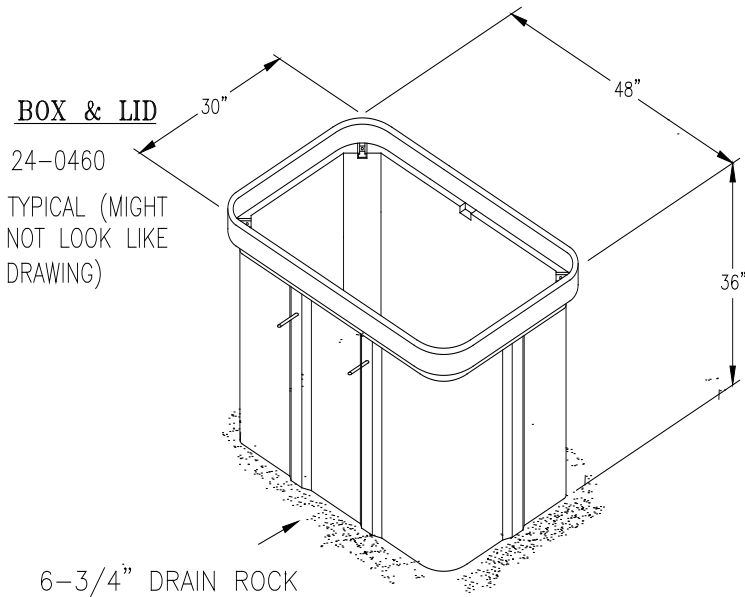


30" X 48" BOX

CONSTRUCTION NOTES



1. BOXES ARE TIER 22 RATED USED IN: NON-TRAFFIC OR NON-DELIBERATE (PARKING LOTS/ SIDEWALK) AREAS. SEE TE0020U: "SPLICE BOX INSTALLATION" FOR REQUIREMENTS.
2. BOX TO BE PLACED ON 6" OF 3/4" CLEAN DRAIN ROCK.
3. ALL LIDS TO BE MARKED "ELECTRIC".
4. LID TO BE SECURED WITH PENTA HEAD COIL TYPE BOLTS.



MAXIMUM CONDUCTORS			
30" x 48" BOX	MAX RUNS	≤ 750 TX OR QX	≤ 350 TX OR QX
1PHASE	6*	2	4
3PHASE	6**	2	4

NOTE: REFER TO CAB 09U VOLUME 5 FOR COMPLETE APPLICATION

* 6 maximum number of runs: 2 runs of 750 TX with 4 runs of any other conductor ranging from #2 to 350 TX.

** 6 maximum number of runs: 2 runs of 750 quad with 4 runs of any other conductor ranging from #2 to 350 quad.

Refurbishment Manhole Lid: 24-1195

Replacement Bolt: 24-0482

NVE STOCK#	DESCRIPTION	APPROVED MANUFACTURERS	
		NEWBASIS	ARMORCAST
24-0460	POLYMER TIER 22 BOX AND LID	PCA304836-20039	A6001430HDAPCX36-NVE
24-1190	REPLACEMENT TIER 22 LID 2 PC.	PCC3048P2-00086	A6001470HDA

	VOLUME 17 – ENGINEERING & CONSTRUCTION STANDARD			VB0060U
	30" X 48" BOX POLYMER			
Drawn:	Eng:	Appr:	Date:	Revision: 2
RN	MB	DA	02/19	Page 1 of 1