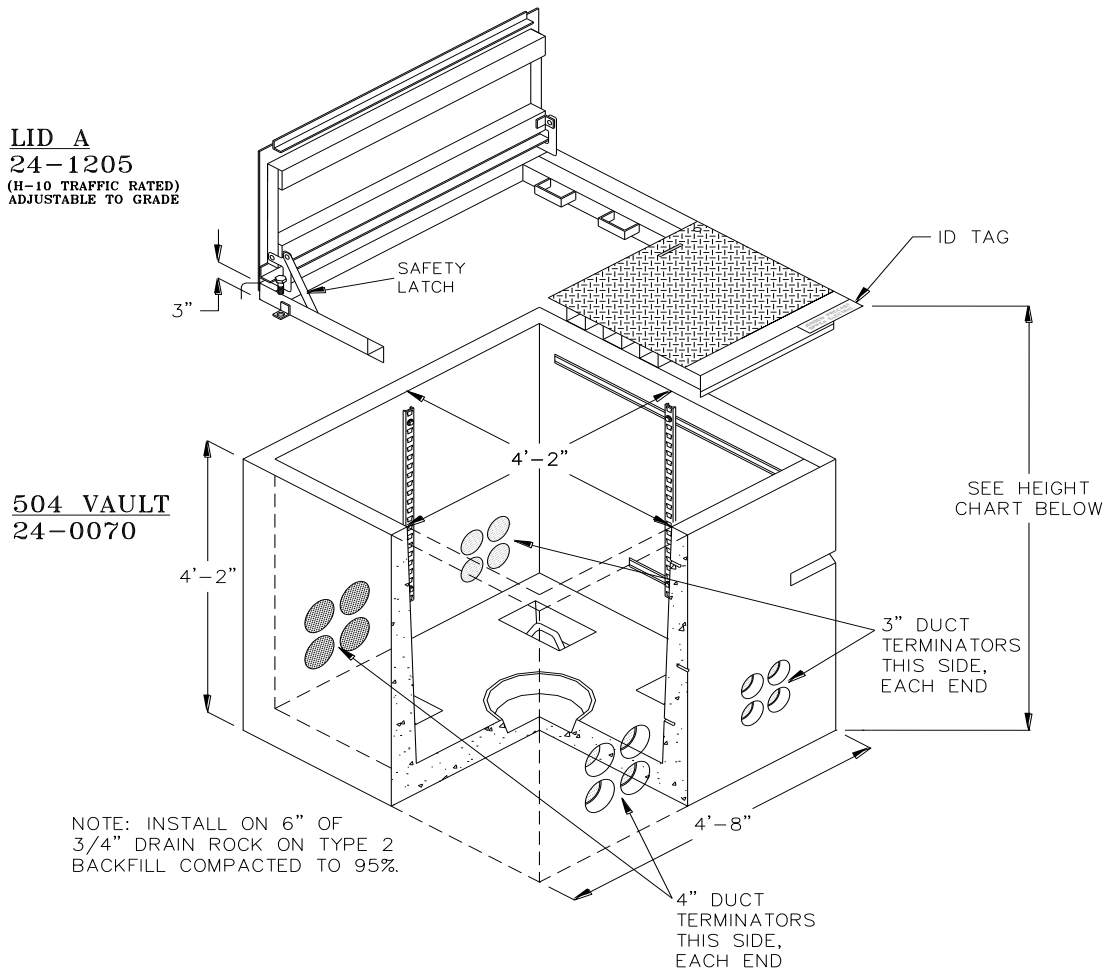


504 VAULT ISOMETRIC DETAIL




STK#	DESCRIPTION	WEIGHT (LBS)
24-0070	504 VAULT	3501
24-0450	6" EXTENSION optional	467
24-1205	LID A H-10 spring assisted	466
24-1200	ALUMINUM REFURBISHMENT LID	N/A
24-1201	GRATED ALUMINUM REFURBISHMENT LID	N/A
24-1202	REFURBISHMENT CONCRETE COLLAR	N/A

HEIGHT OF VAULT WITH CORRESPONDING LIDS	
4'-5"	WITH LID A
4'-10"	WITH LID B

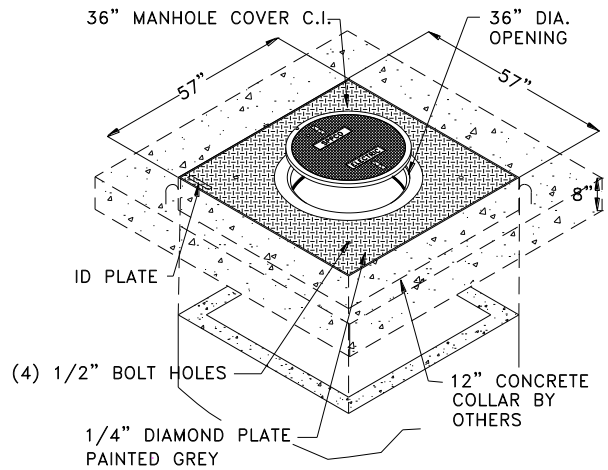
MAXIMUM CONDUCTORS AND J-BARS				
VAULT 504	200 AMP PRIMARY	600 AMP PRIMARY	SECONDARY	J BARS 3, 4 WAY
	4 WIRES	N/A	8 RUNS	2, 3-WAY OR 1, 4-WAY

NOTE: REFER TO CAB09U VOLUME 5 FOR COMPLETE APPLICATION

	VOLUME 17 – ENGINEERING & CONSTRUCTION STANDARD			VB0065U
	504 VAULT CONCRETE SECONDARY & 1Ø PRIMARY 50" X 50" X 44-1/2" I.D.			
Drawn:	Eng:	Appr:	Date:	Revision: 6
RN	MB	DA	03/17	Page 1 of 4

504 VAULT CONSTRUCTION NOTES:

- Vault to be used for H-20 traffic design loading. All live loads shall be for HS-20 - 44 (MS-18) as per AASHTO Standard Specification, Div 1, Sec.3.
- Vault excavation and backfill to conform to NVE Specification SUB01X.
- Butyl rubber or neoprene gasket seal required between vault sections and/or extensions.
- Additional 6" extension needed if vault is placed in or adjacent to collector or major street right of way.
- Uni-strut or 1/2" inserts will be cast into vault. (See Details A/B).
- Lids to be marked "NVE"
- All weights to be clearly marked
- Cable steps: 4 -12" steps are supplied with vault. Optional 15" steps stk# 25-3600
- Grounding: See expanded view for grounding applications and inserts.
- Ladder not supplied with vault but required for access



LID B
24-1212
(H-20 TRAFFIC RATED)



24-1200 - ALUMINUM REFURBISHMENT LID (H-10)

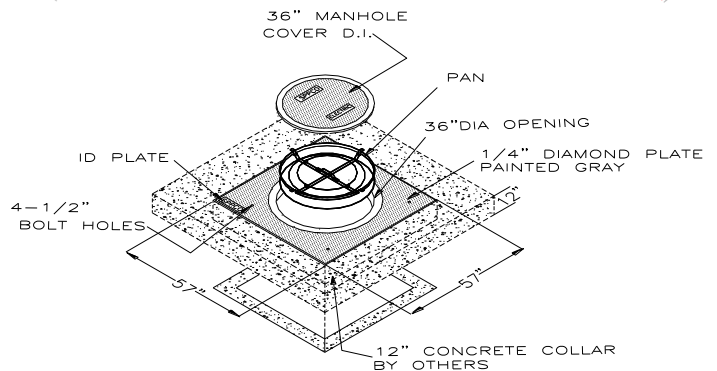
24-1202 - CONCRETE REFURBISHMENT COLLAR

24-1201 - ALUMINUM REFURBISHMENT LID

GRATED (NOT SHOWN)

OBSOLETE

(FOR MAINTENANCE ONLY)



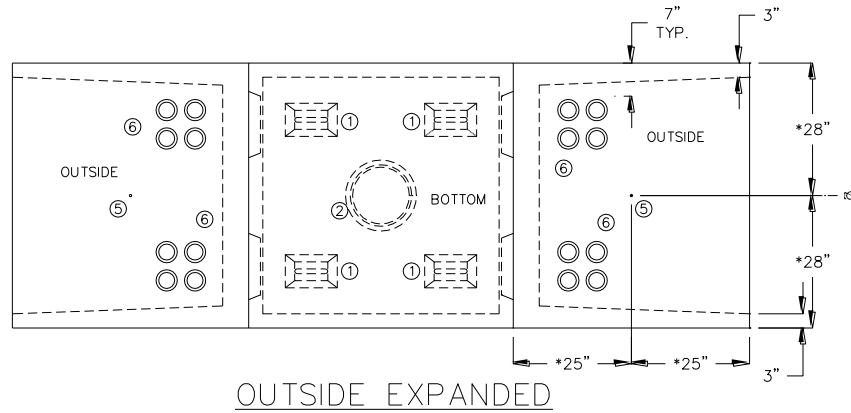
LID B2
24-1220
(H-20 TRAFFIC RATED)
GRATED MANHOLE.

Drawn:	Eng:	Appr:	Date:
RN	MB	DA	03/17

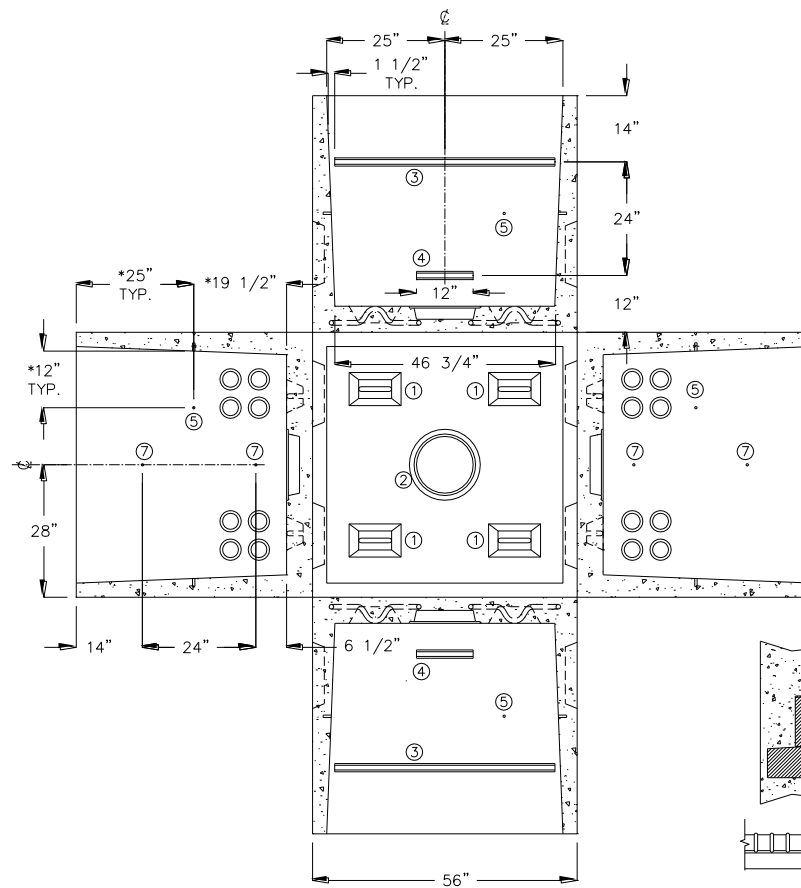
VOLUME 17 – ENGINEERING & CONSTRUCTION STANDARD
504 VAULT CONCRETE SECONDARY & 1Ø PRIMARY 50" X 50" X 44-1/2" I.D.

VB0065U
Revision: 6
Page 2 of 4

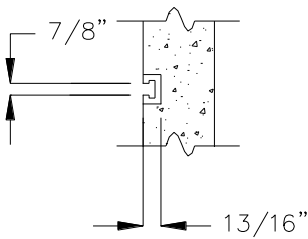
504 VAULT EXPANDED VIEWS



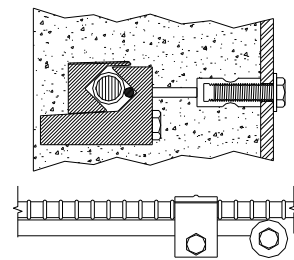
OUTSIDE EXPANDED



INSIDE EXPANDED




UNISTRUT
DETAIL "A"

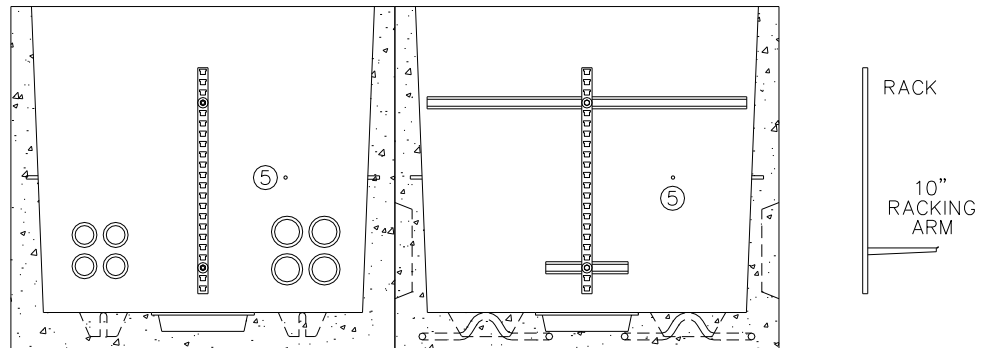


COPPER PIGTAIL TO BE SECURED TIGHTLY TO REINFORCING BAR WITH CLAMP BEFORE POURING CONCRETE.

GROUND INSERT
DETAIL "B"

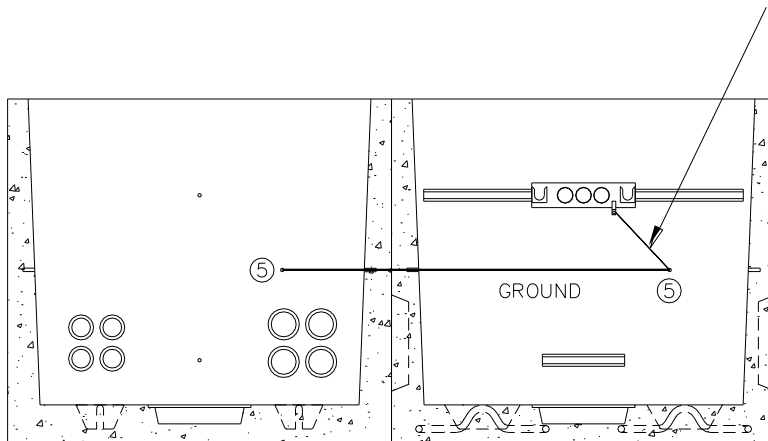
	VOLUME 17 – ENGINEERING & CONSTRUCTION STANDARD			VB0065U
	504 VAULT CONCRETE SECONDARY & 1Ø PRIMARY 50" X 50" X 44-1/2" I.D.			
Drawn:	Eng:	Appr:	Date:	Revision: 6
RN	MB	DA	03/17	Page 3 of 4

GROUNDING GRID INSTALLATION DETAIL



INSIDE EXPANDED SIDE & END WALL
RACK APPLICATIONS WITH ARMS

INSTALL A MINIMUM OF 84" OF #2 STR COPPER TO
TWO GROUNDING LUGS ATTACHED TO TWO 1/2"
GROUND INSERTS AND BUSED TO CONCENTRIC
NEUTRAL, J-BAR OR BRACKET



INSIDE EXPANDED SIDE & END WALL
GROUNDING APPLICATIONS AND INSERTS

MATERIAL LIST supplied by Vault Manufacturer		
	DESCRIPTION	QTY
1	PULLING IRON	4
2	12" DIAMETER SUMP	1
3	46 1/2" LONG UNISTRUT	2
4	12" LONG UNISTRUT	2
5	1/2" GROUNDING INSERT, 4 inside - 2 outside	6
6	3" & 4" DUCT TERMINATOR (8 each end)	16
7	1/2" RACKING INSERT	4
8	18 HOLE RACK (26 3/4" LONG)	4
9	SPRING NUT	4
10	1/2" X 1 1/2" BOLT	9
11	1/2" WASHER	8
12	1/2" BRASS GROUND WASHER, 1 outside	1
13	10" ARM	4
14	12" X 12" KNOCKOUT	2
15	12" X 3-1/2" KNOCKOUT	2

	VOLUME 17 – ENGINEERING & CONSTRUCTION STANDARD	VB0065U								
	504 VAULT CONCRETE SECONDARY & 1Ø PRIMARY 50" X 50" X 44-1/2" I.D.	Revision: 6 Page 4 of 4								
<table border="1" style="width: 100%; border-collapse: collapse;"> <tr> <td style="width: 25%;">Drawn:</td> <td style="width: 25%;">Eng:</td> <td style="width: 25%;">Appr:</td> <td style="width: 25%;">Date:</td> </tr> <tr> <td style="text-align: center;">RN</td> <td style="text-align: center;">MB</td> <td style="text-align: center;">DA</td> <td style="text-align: center;">03/17</td> </tr> </table>	Drawn:	Eng:	Appr:	Date:	RN	MB	DA	03/17		
Drawn:	Eng:	Appr:	Date:							
RN	MB	DA	03/17							