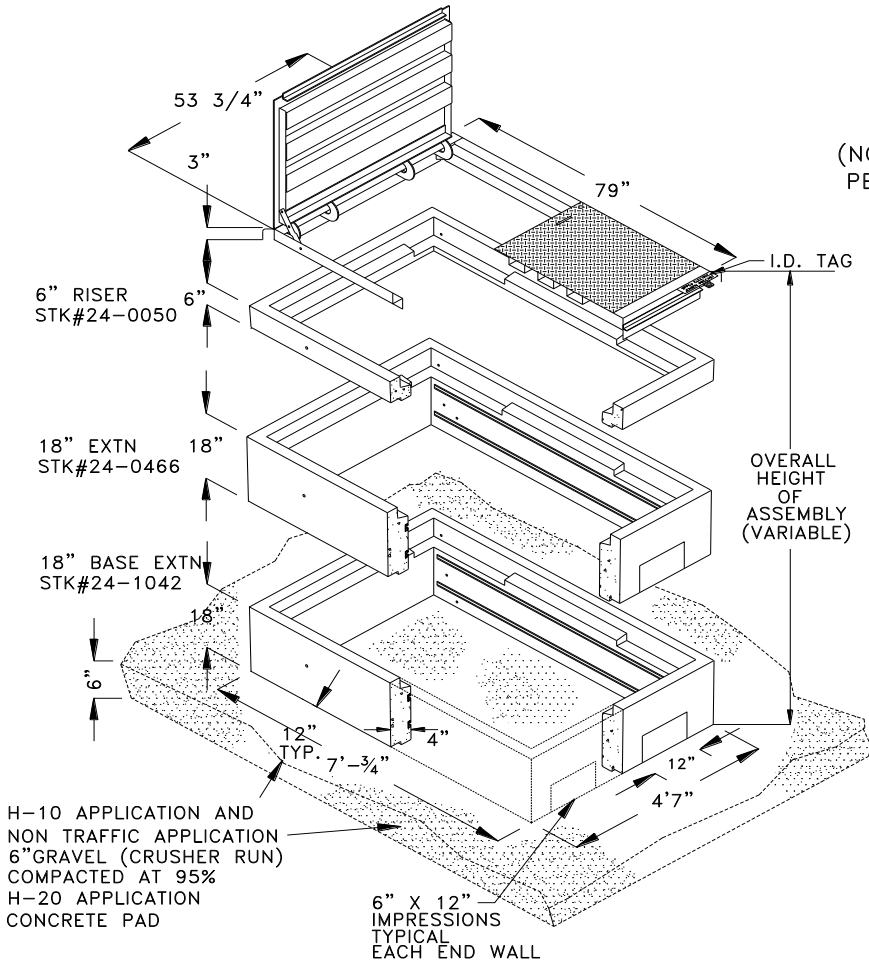


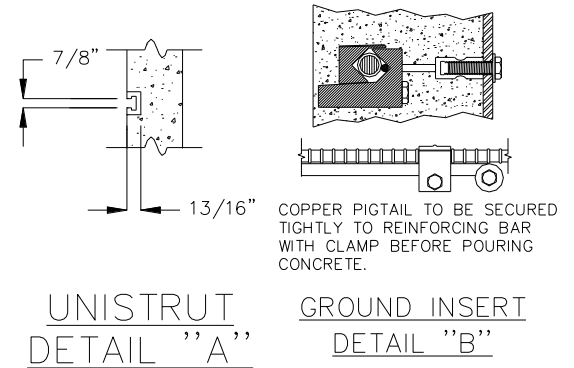
573 VAULT ISOMETRIC DETAIL
FOR REFERENCE ONLY



LID "C"
24-1166
(NON-TRAFFIC STEEL
PEDESTRIAN RATED)

- * Primary: 9 maximum conductors.
- * Single Phase Secondary: 6 maximum number of runs: 2 runs of 750 TX with 4 runs of any other conductor ranging from #2 to 350 TX.
- * Three Phase Secondary: 6 maximum number of runs: 2 runs of 750 quad with 4 runs of any other conductor ranging from #2 to 350 quad.

STK#	DESCRIPTION	WEIGHT (LBS)
24-0050	6" CONCRETE EXTENSION	475
24-0466	18" CONCRETE EXTENSION / IMPRESSIONS AT BOTH ENDS	1407
24-1167	LID A H-10 FULL OPENING SPRING ASSISTED (OBSOLETE)	794
24-1295	LID B H-20 FULL OPENING LIFT OUT	4086
24-1166	LID C NON TRAFFIC RATED STEEL FULL OPENING SPRING ASSISTED	600
24-1169	LID C-1 FIBERGLASS HYBRID NON TRAFFIC RATED CLAM SHELL OPENING NOT AVAILABLE-FOR REFERENCE ONLY (OBSOLETE)	80



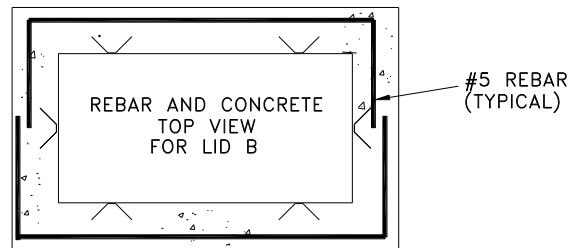
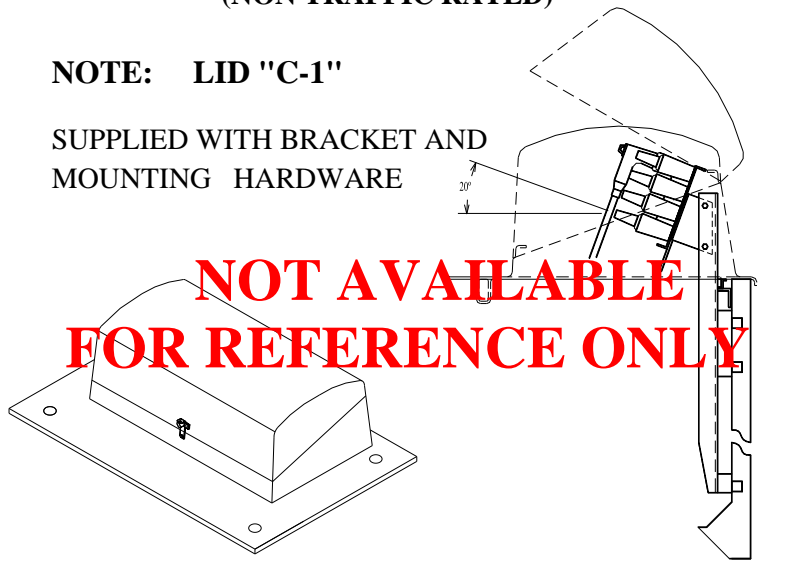
573 VAULT CONSTRUCTION NOTES

- H-10 and NON TRAFFIC: Installed on 6" of 3/4" crusher run or type 2 backfill compacted at 95%.
- H-20: Vault installed on a concrete base extending 12" beyond vault walls, lid wrapped as shown in Details B and C.
- Height of vault varies depending on height of each extension and lid.
- Vault excavation and backfill to conform to NVE Specification SUB01X.
- Butyl rubber or neoprene gasket seal required between vault sections and/or extensions.
- Unistrut or 1/2" inserts will be cast into vault. (See Detail A)
- Lids to be marked "NVE"
- All weights to be clearly marked.
- Cable steps: Are not supplied with this vault, see NVE Standard CBR02U, Volume 5.
- Existing cable dictates location of cable racks and entrance.
- Ladder not supplied with vault but will be required for access.

**LID "C-1"
24-1169
(NON TRAFFIC RATED)**

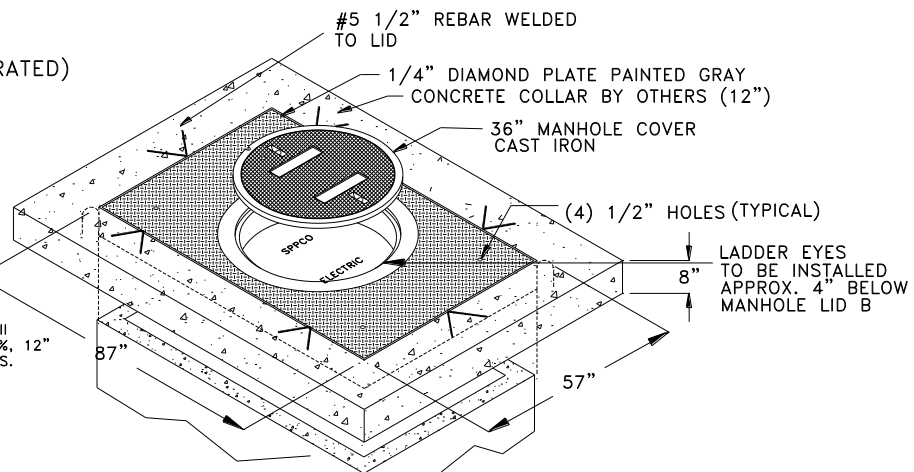
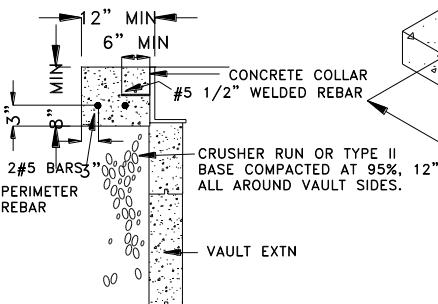
NOTE: LID "C-1"

SUPPLIED WITH BRACKET AND MOUNTING HARDWARE



**LID B
24-1295
(H-20 TRAFFIC RATED)**

REBAR AND CONCRETE CUTAWAY VIEW FOR LID B



Drawn:	Eng:	Appr:	Date:
JVV	JK	SJ	7/07

VOLUME 17 – ENGINEERING & CONSTRUCTION STANDARD
573 VAULT CONCRETE MAINTENANCE ONLY (REPLACED WITH 557) 49" X 79" X 45" I.D.

VB0067U
Revision: 2
Page 2 of 2