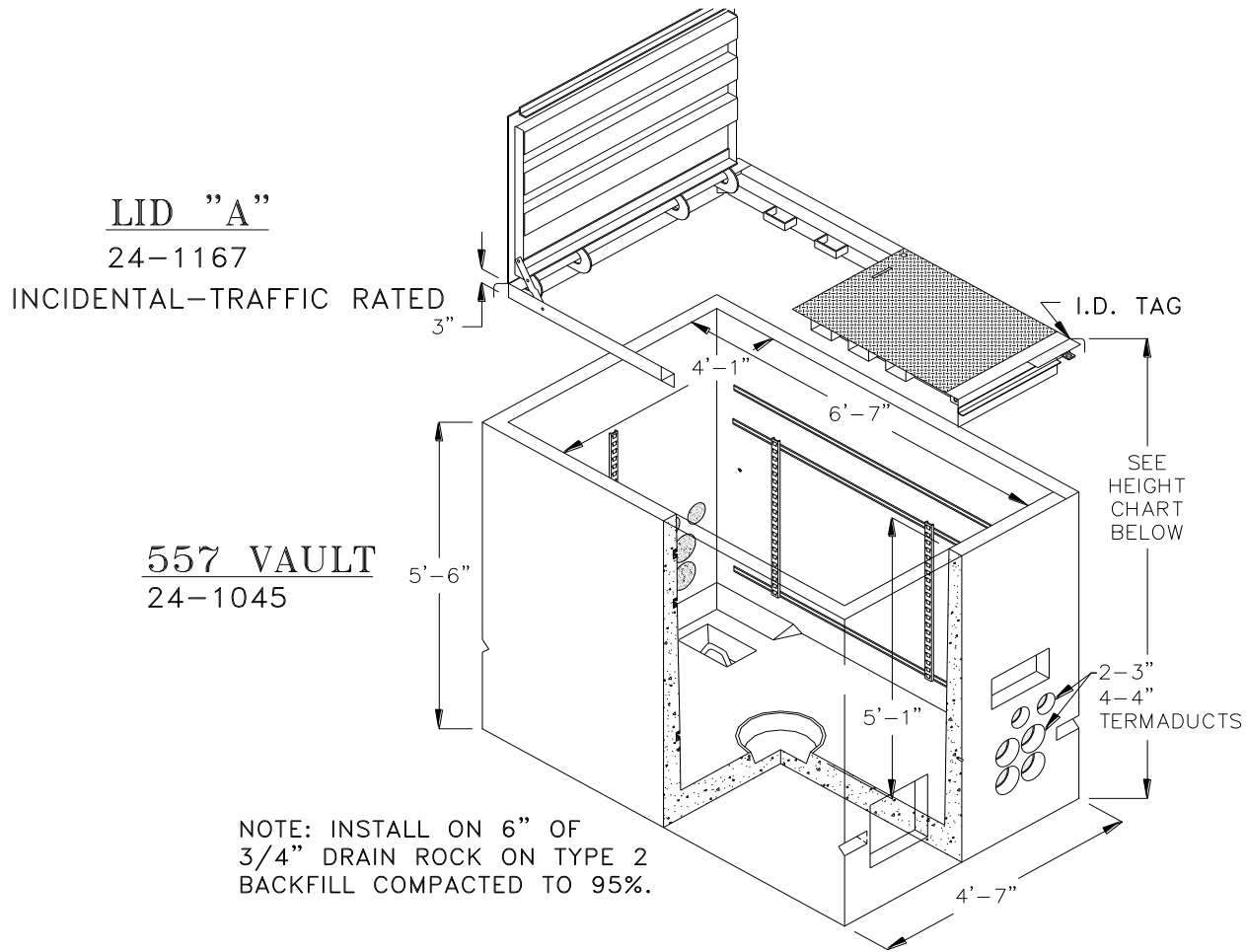


557 VAULT ISOMETRIC DETAIL



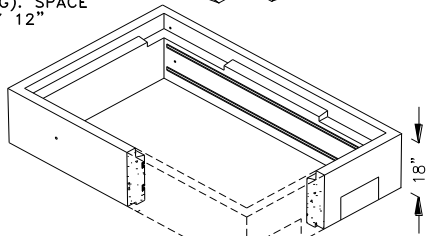
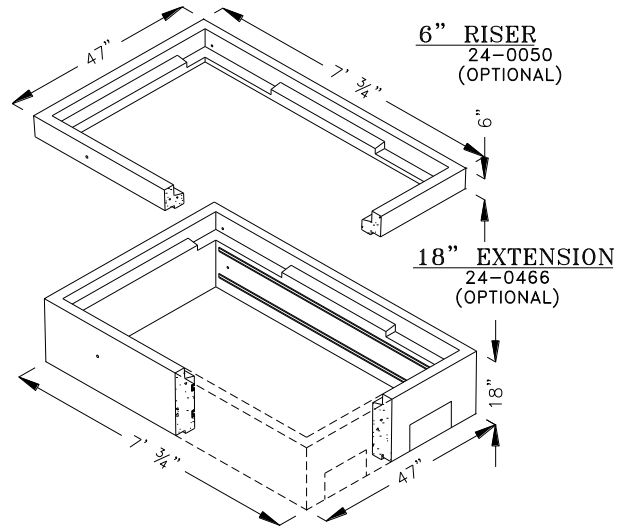
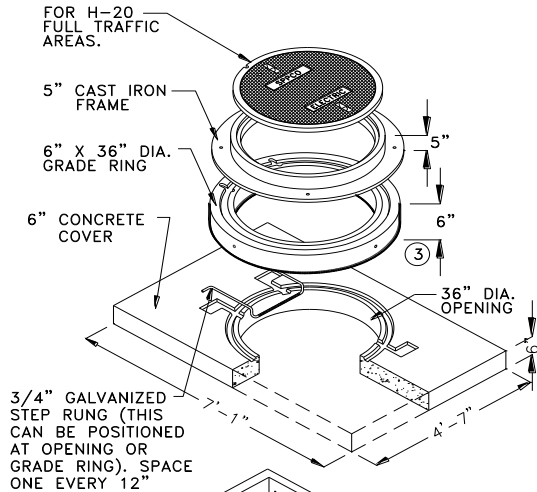
STK#	DESCRIPTION	WEIGHT (LBS)
24-1045	557 VAULT	7500
24-0050	6" EXTENSION OPTIONAL	787
24-0466	18" EXTENSION OPTIONAL	1407
24-1167	LID "A" H-10 FULL OPENING SPRING ASSISTED	794
24-1295	LID "B" H-20 FULL OPENING LIFT OUT	4086
24-1290	LID "B-1" H-20 3' MANHOLE COMES W/18" EXT. OPERATED NON	1285
24-0466	LOADBREAK	1407

HEIGHT OF VAULT WITH CORRESPONDING LIDS	LADDER LENGTH	HEIGHT W/ 6" EXTENSION	LADDER LENGTH W/6" EXT
5'-9" WITH LID A	5'-2"	6'-5"	5'-8"
6'-2" WTH LID B	5'-6"	6'-8"	6'
8'-5" WITH LID B-1 & 18" EXT	7'	8'-11"	STEP RUN

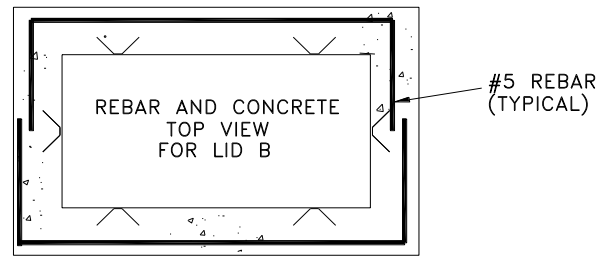
	VOLUME 17 - ENGINEERING & CONSTRUCTION STANDARD			VB0071U
	557 VAULT CONCRETE PRIMARY 49" X 79" X 61" I.D.			
Drawn:	Eng:	Appr:	Date:	Revision: 4
JVV	MB	DA	10/17	Page 1 of 4

LID B-1

24-1290 & 18" EXT 24-0466
(FOR AREAS TO BE PAVED)
(H-20 RATED)



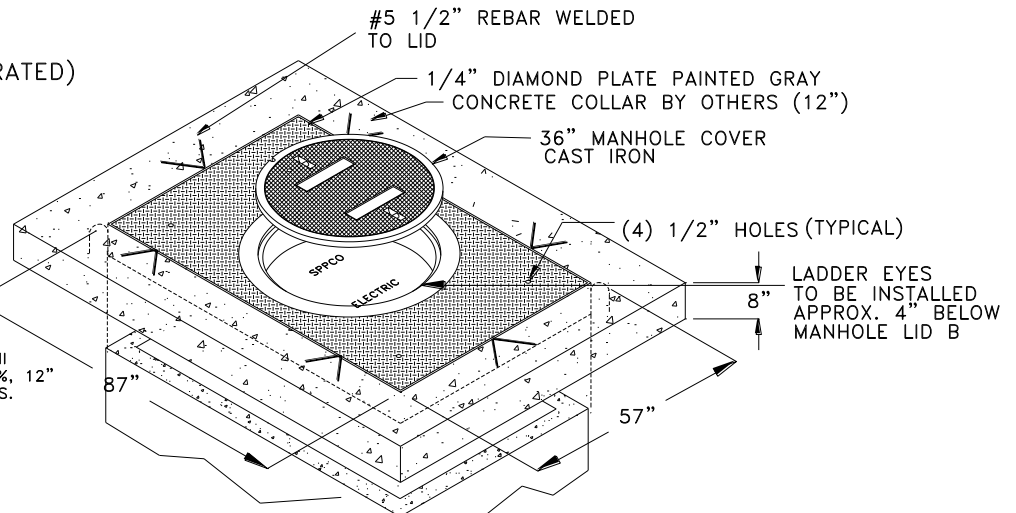
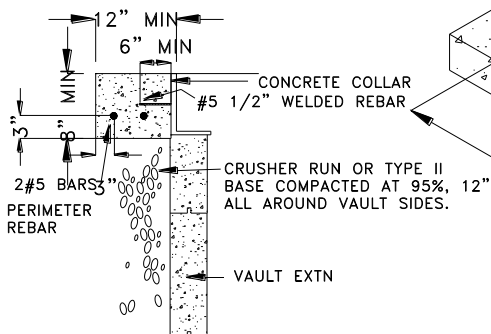
NOTE: 18" EXTENSION COMES WITH LID "B-1"



LID B

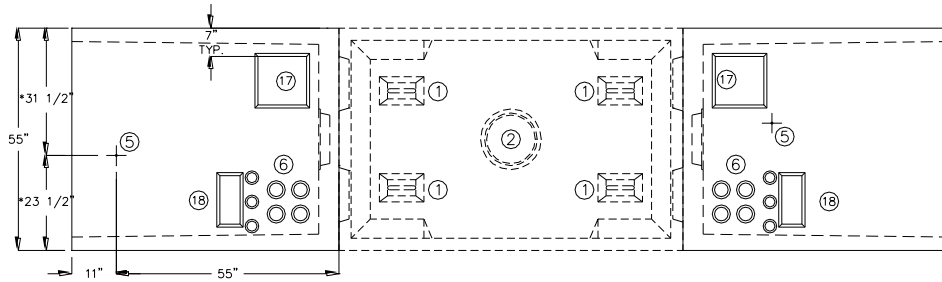
24-1295
(H-20 TRAFFIC RATED)

REBAR AND CONCRETE CUTAWAY VIEW FOR LID B

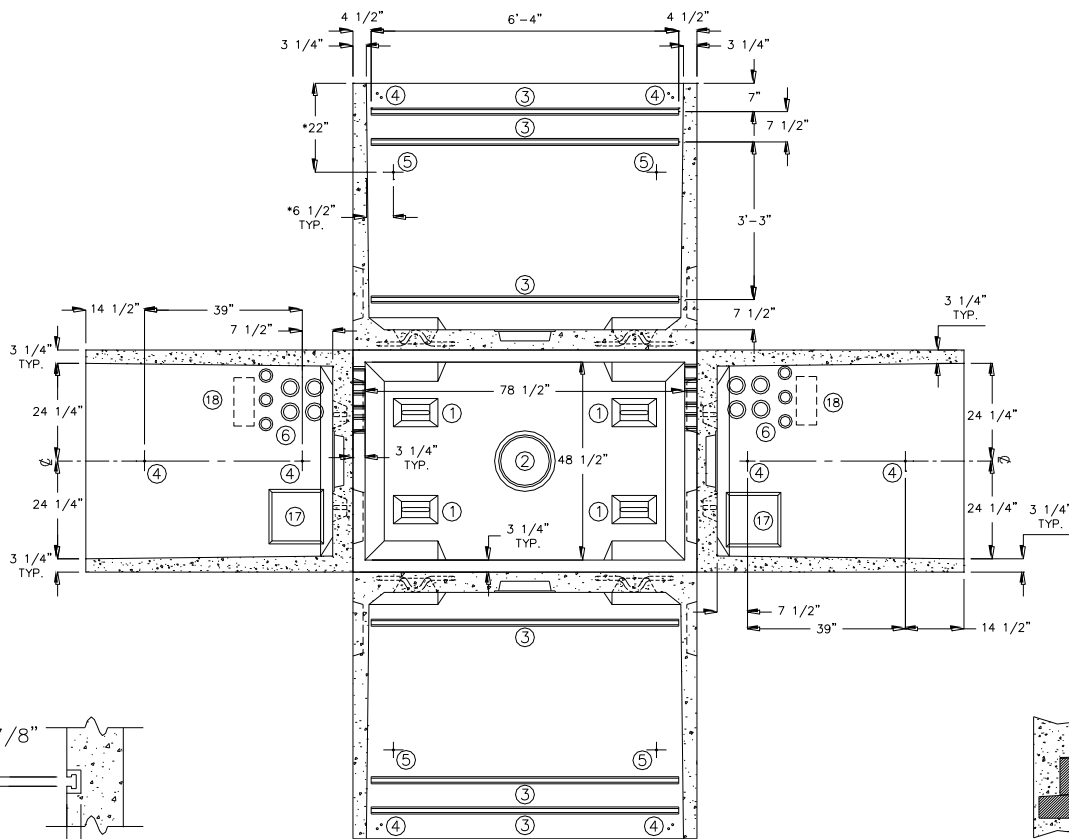


				VOLUME 17 – ENGINEERING & CONSTRUCTION STANDARD		VB0071U
				557 VAULT CONCRETE PRIMARY 49" X 79" X 61" I.D.		
Drawn:	Eng:	Appr:	Date:			Revision: 4
JVV	MB	DA	10/17			Page 2 of 4

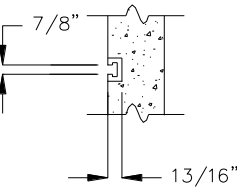
557 VAULT EXPANDED VIEWS



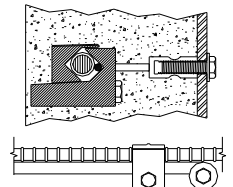
OUTSIDE EXPANDED



INSIDE EXPANDED




UNISTRUT
DETAIL "A"

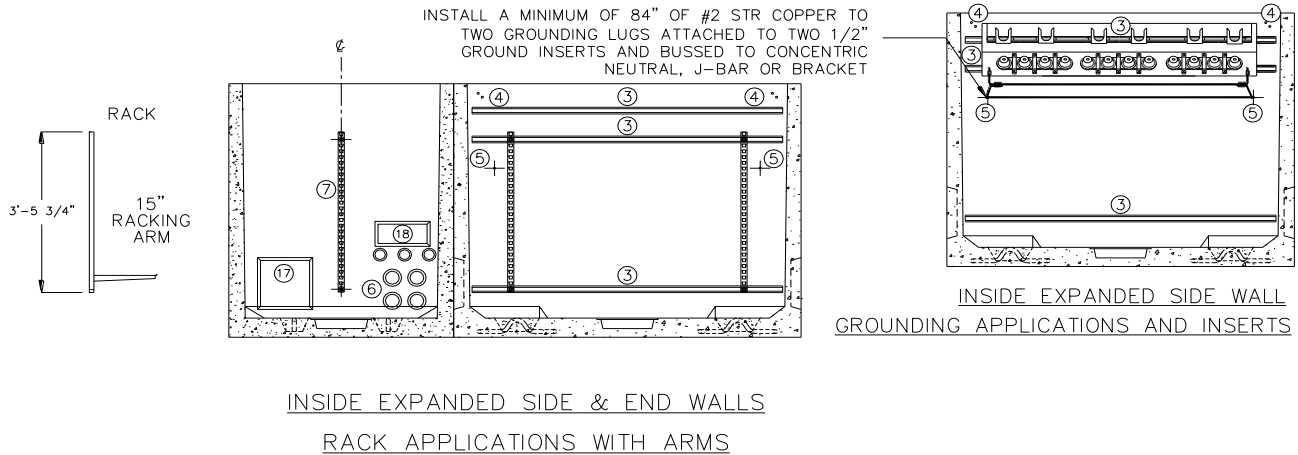


COPPER PIGTAIL TO BE SECURED TIGHTLY TO REINFORCING BAR WITH CLAMP BEFORE POURING CONCRETE.

GROUND INSERT
DETAIL "B"

				VOLUME 17 – ENGINEERING & CONSTRUCTION STANDARD		VB0071U
				557 VAULT CONCRETE PRIMARY 49" X 79" X 61" I.D.		
Drawn:	Eng:	Appr:	Date:			Revision: 4
JVV	MB	DA	10/17			Page 3 of 4

GROUNDING GRID INSTALLATION DETAIL



MAXIMUM CONDUCTORS AND J-BARS				
VAULT 557	200 AMP PRIMARY	600 AMP PRIMARY	SECONDARY	J BARS 3, 4 OR 5 WAY
	LIDS A, B, B-1: 14 WIRES	N/A	1 RUN < 350 QX OR TX	3 TOTAL

NOTE: REFER TO CAB09U VOLUME 5 FOR COMPLETE APPLICATION

MATERIAL LIST supplied by Vault Manufacturer		
DESCRIPTION	QTY	
1	PULLING IRON	4
2	12" DIAMETER SUMP	1
3	76" LONG UNISTRUT	6
4	1/2" RACKING INSERT	12
5	1/2" GROUNDING INSERT, 4 inside - 2 outside	6
6	3" DUCT TERMINATOR (each end) 4" DUCT TERNIMATOR	4 8
7	28 HOLE RACK (41 3/4" LONG)	6
8	SPRING NUT	8
9	1/2 X 1 1/2" BOLT	13
10	1/2" WASHER	12
11	1/2" BRASS GROUND WASHER, 1 top outside	1
12	15" ARM	6
13	LADDER UP	1
14	LADDER size options on sheet one	1
15	MOUNTING BRACKETS WITH LID "C-1"	4
16	ADJUSTABLE BRACKET CLIPS WITH LID "B-1"	2
17	12" X 12" KNOCKOUT	2
18	6" X 12" KNOCKOUT	2

557 VAULT CONSTRUCTION NOTES

- Vault to be used for H-20 traffic design loading. All live loads shall be for HS-20-44 (MS-18) as per AASHTO Standard Specification, Div 1, Sec.3
Note: If lid B-1 is used a minimum of 12 inches of vault cover is required.
- Vault excavation and backfill to conform to NVE. Specification SUB01X.
- Butyl rubber or neoprene gasket seal required between vault sections and/or extensions.
- Additional 6" extension needed if vault is placed in or adjacent to collector or major street right of way.
- Unistrut (See detail A) or 1/2" inserts will be cast into vault.
- Lids to be marked "NVE"
- All weights to be clearly marked
- Cable steps: 6-15" steps are supplied with vault.
- Grounding: See expanded view for grounding applications and inserts.
- Ladder and ladder-up required, See NVE. Standard VB105U.
- Ladder mounting eyes to be installed

	VOLUME 17 – ENGINEERING & CONSTRUCTION STANDARD			VB0071U
	557 VAULT CONCRETE PRIMARY 49" X 79" X 61" I.D.			
Drawn:	Eng:	Appr:	Date:	Revision: 4
JVV	MB	DA	10/17	Page 4 of 4