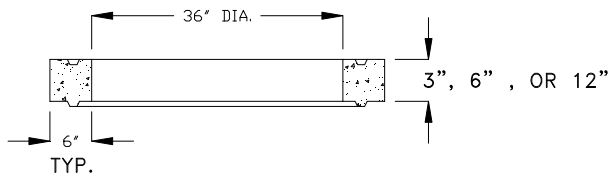


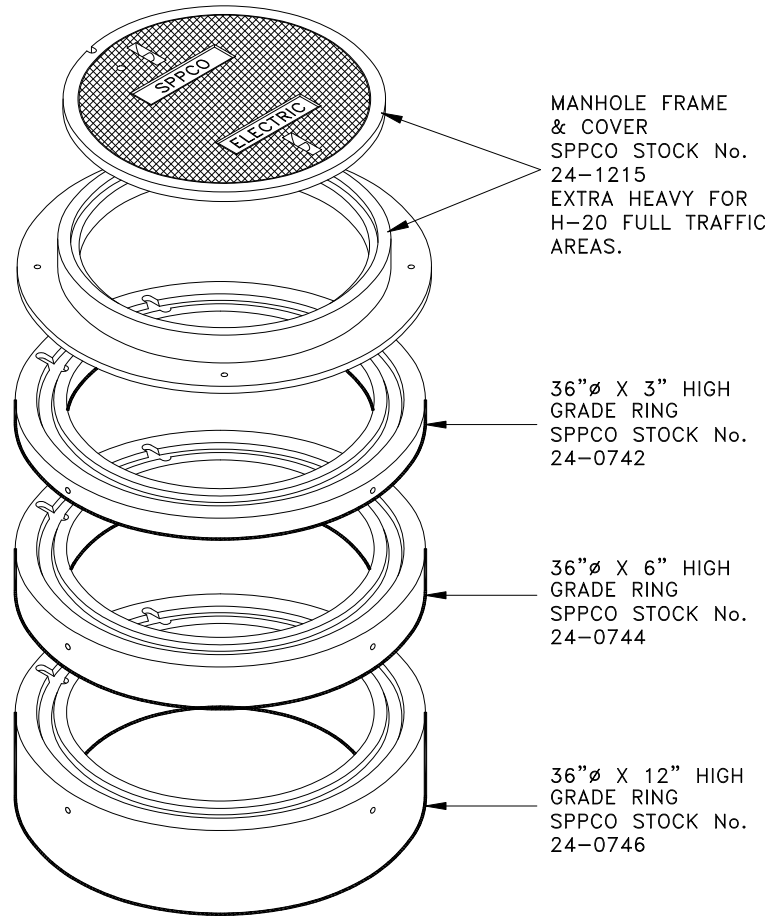
MANHOLE RISERS AND COVER DETAILS



36" DIA. CAST IRON FRAME



GRADE RING SECTION VIEW

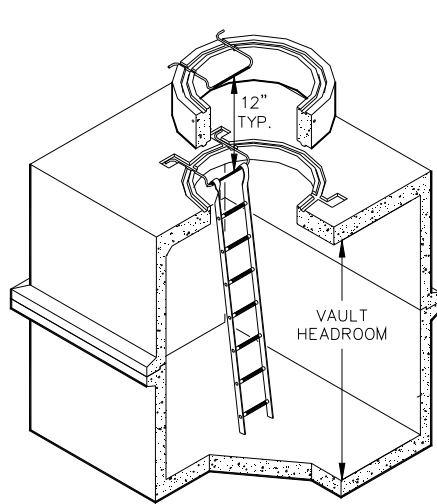


NOTES:

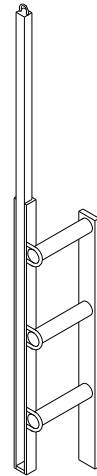
1. FRAME WILL ACCOMODATE VENTED COVER.
2. 42" OPENINGS: JENSEN PRECAST SPECIAL ORDER.

STK#	DESCRIPTION	WEIGHT (LBS)
24-1215*	MANHOLE FRAME AND COVER	800
24-0742*	36" DIA. X 3" HIGH GRADE RING	166
24-0744	36" DIA. X 6" HIGH GRADE RING	341
24-0746* (a)	36" DIA. X 12" HIGH GRADE RING	682
* THESE COMPONENTS ARE CALLED OUT AS STK# 24-1305		
(a) INCLUDES 14-1/2" STEP RUN		

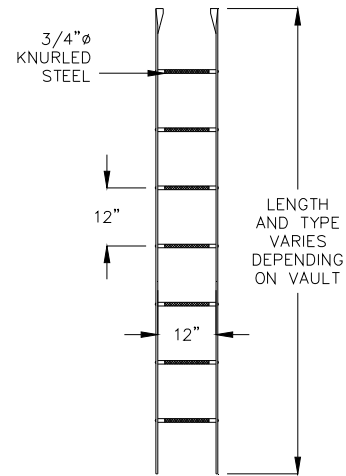
LADDER, LADDER-UP, & STEP RUNG DETAILS



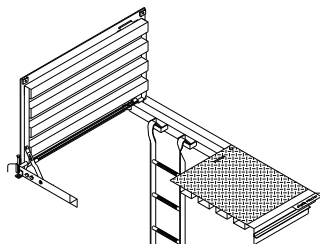
TYPICAL
INSTALLATION
LID B-1
H-20 RATED
3' MANHOLE OPENING



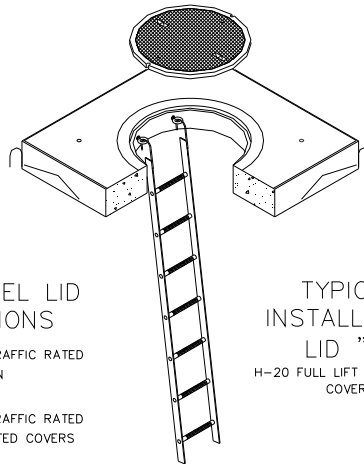
LADDER-UP
(CUT AWAY
DETAIL)



LADDER
(GALVANIZED)

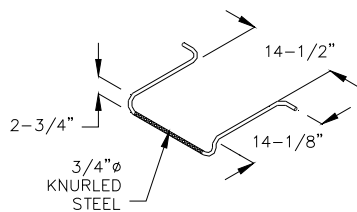


TYPICAL STEEL LID
INSTALLATIONS
LID "A" H-10 TRAFFIC RATED
LID A SHOWN



TYPICAL
INSTALLATION
LID "B"
H-20 FULL LIFT OUT ACCESS
COVERS


LID "C" NON TRAFFIC RATED
TORSION SPRING ASSISTED COVERS



STEP RUNG
USED ON LID B-1
(GALVANIZED)

CONSTRUCTION NOTES:

- LADDER-UP SAFETY POST NEEDED FOR ALL APPLICATIONS. NVE. STK# 95-5580 TYPICALLY SUPPLIED WITH VAULT.
- FOR LADDER LENGTH, REFERENCE THE FIRST PAGE OF THE INDIVIDUAL STANDARD FOR THAT VAULT.

				VOLUME 17 – ENGINEERING & CONSTRUCTION STANDARD		VB0105U
				LADDER, LADDER-UP, STEP RUNG & MANHOLE RISERS & COVER		
Drawn:	Eng:	Appr:	Date:			Revision: 1
JVV	JVV	SJ	5/02			Page 2 of 2