

**PAD AND WELL DETAILS FOR TRANSFORMERS,
SWITCHES CAPACITORS AND JUNCTION ENCLOSURES**

1.0 INDEX

- 1.0 INDEX
- 2.0 PURPOSE
- 3.0 PAD DIMENSIONS

2.0 PURPOSE

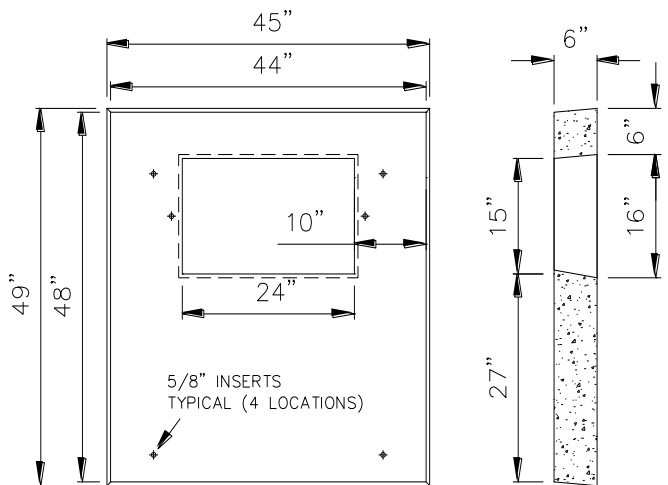
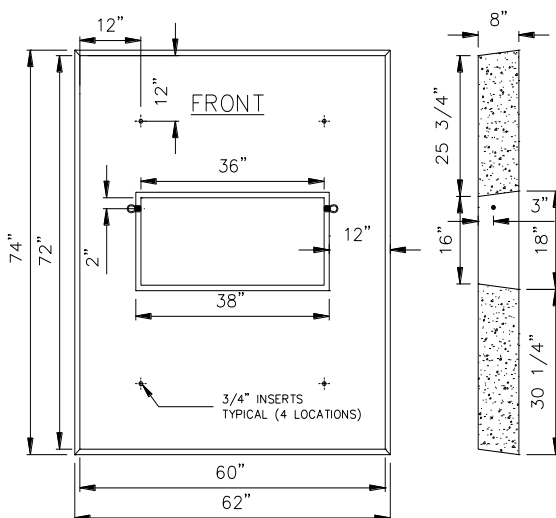
This guide is to provide footprint dimensions on pads used by NVE for pad mounted transformers, switches, and junction enclosures. All dimensions shown reflect the required measurements for each application. Standard construction designs will utilize pre-poured manufactured pads. Should a poured in place pad be required, each pad detail defines the reinforcement steel and specifications required. Refer to PAD01X, PAD02X, and PAD03X for drawings.

Conduit configurations for each installation will differ. A generic conduit layout has been provided on each pad drawing as an example. *NVE's Planners and Inspectors will provide guidance if configuration is Work Order specific.*

3.0 PAD DIMENSIONS

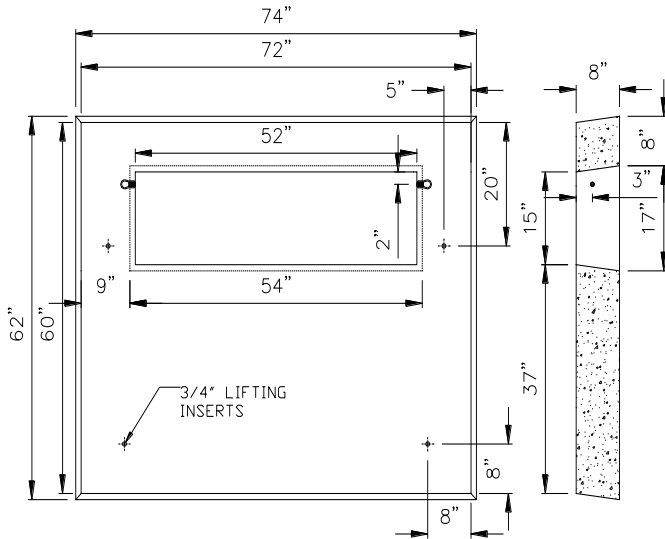
NVE STOCK #24-0691
200A / 600A INTERRUPTER
REFER TO DRAWING PE0030U

NVE STOCK #24-0692
SINGLE PHASE TRANSFORMERS - 81 SERIES
PADMOUNT SWITCHES #25-3912, #25-3937
REFER TO DRAWING PE0001U

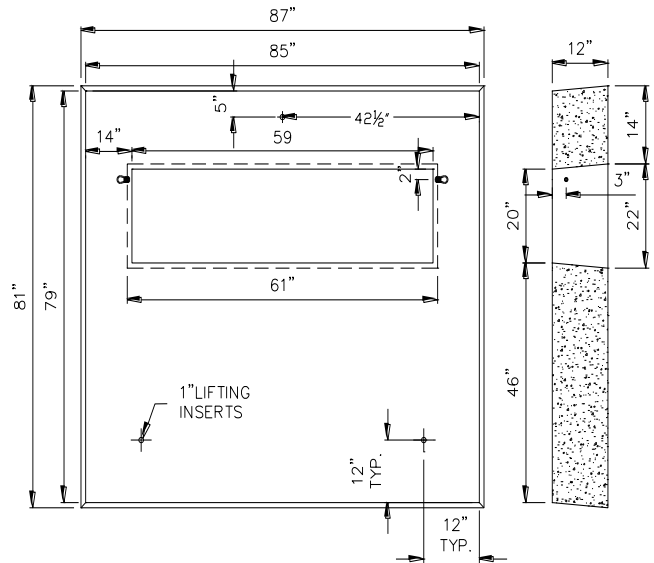


	VOLUME 17 – ENGINEERING & CONSTRUCTION STANDARD			PADMASTER
	PAD & WELL DETAILS FOR TRANSFORMERS, SWITCHES, & JUNCTION ENCLOSURES			
Drawn: JVJ	Eng: MB	Appr: DA	Date: 11/16	

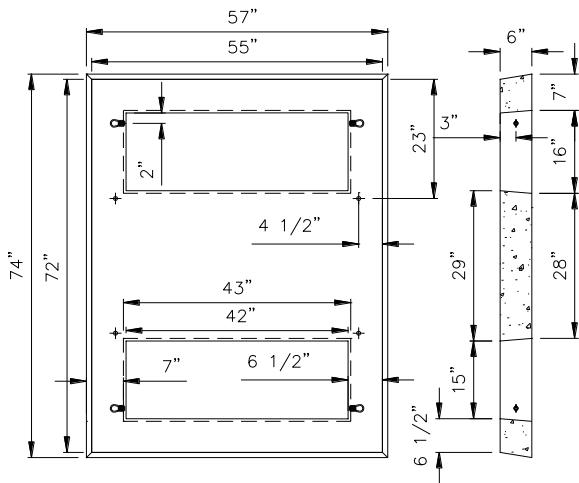
NVE PAD STOCK #24-0694
75kva - 500kva TRANSFORMERS
86 SERIES
REFER TO DRAWING PE0003U



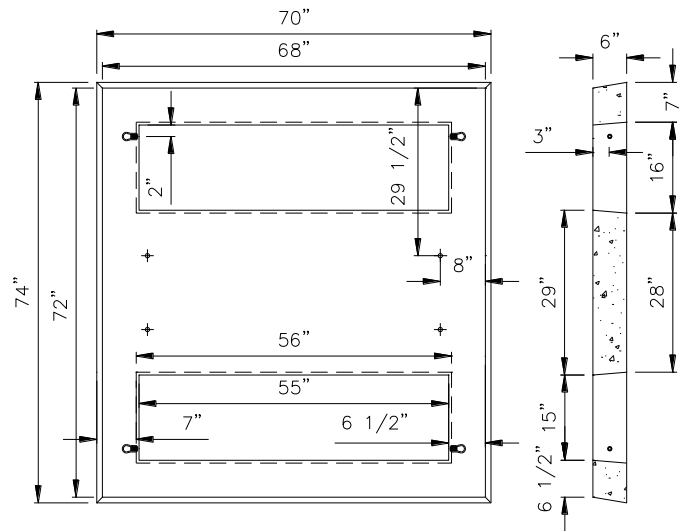
NVE STOCK #24-0697
750kva - 2500kva TRANSFORMERS
86 SERIES
PADMOUNT CAPACITOR
REFER TO DRAWING PE0006U



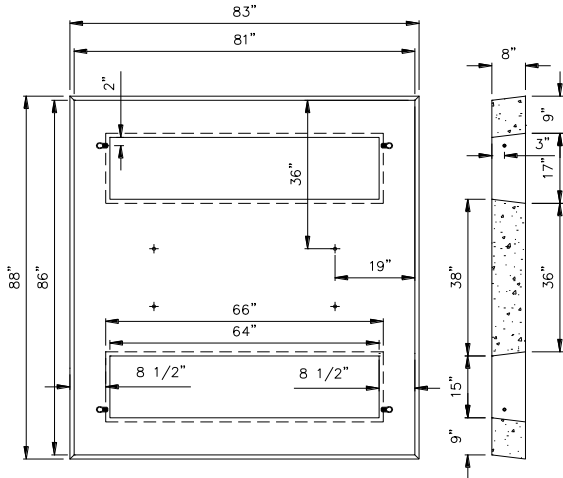
NVE STOCK #24-0726
PADMOUNT SWITCHES
#25-3913 & #25-3924



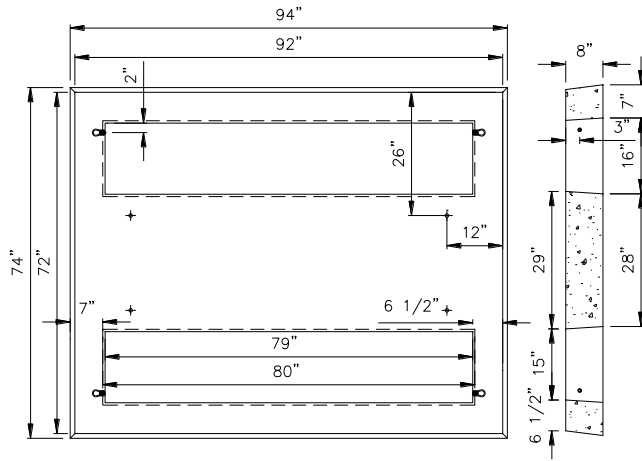
NVE STOCK #24-0728
PADMOUNT SWITCHES #25-3916,
#25-3917, #25-3925



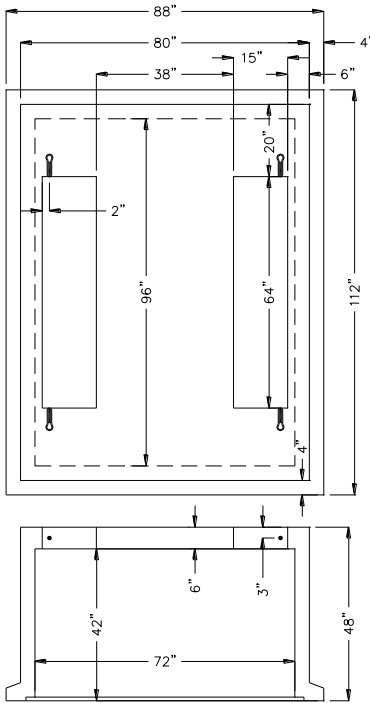
NVE STOCK #24-0732
PADMOUNT VFI SWITCH #25-3928& #25-3932 OPENING "E1"
REFER TO DRAWING PE0014U



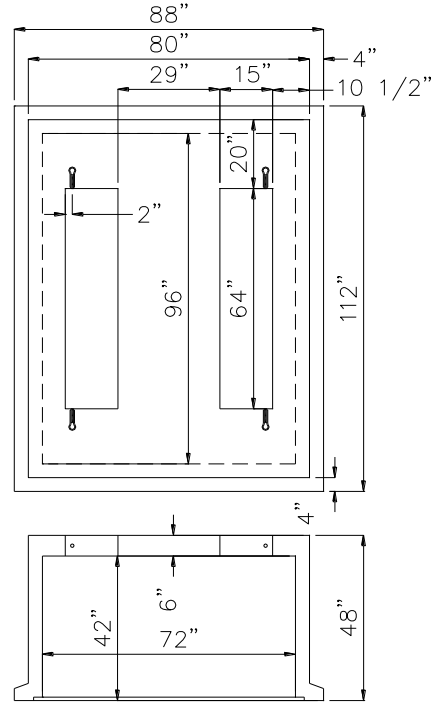
NVE STOCK #24-0736
PADMOUNT SWITCH #25-3918
OPENING "G"
REFER TO DRAWING PE0015U



NVE STOCK #24-0730
PADMOUNT SWITCH #25-3934 & #25-3931
SWITCH PAD WELL OPENING "E1"



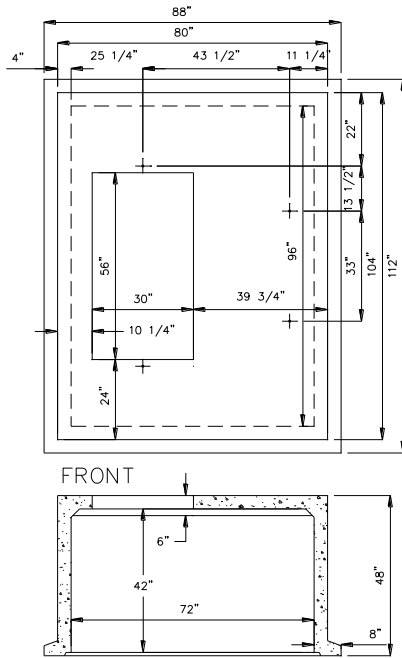
NVE STOCK #24-0738
PADMOUNT SWITCH #25-3922 & 25-3923
SWITCH PAD WELL OPENING "G"
REFER TO DRAWING PE0018U



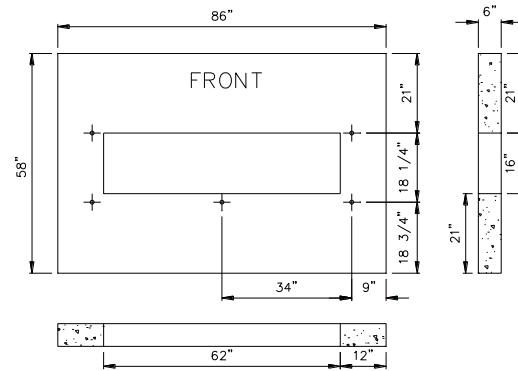
**PAD & WELL DETAILS FOR TRANSFORMERS, SWITCHES,
CAPACITORS & JUNCTION ENCLOSURES**

PADMASTER

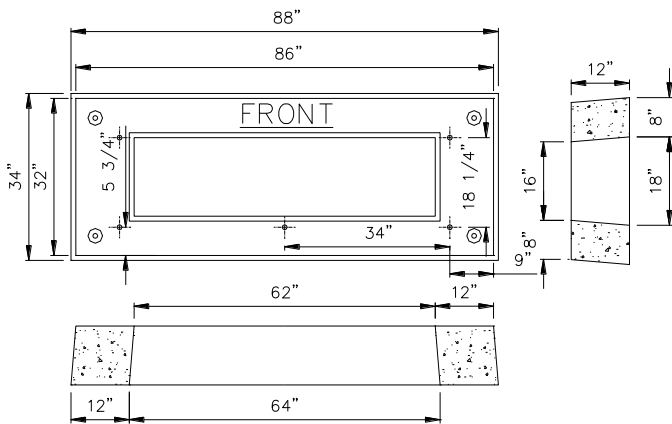
NVE STOCK #24-0731
PADMOUNT PRIMARY METERING
SWITCH PAD WELL
 REFER TO DRAWING PE0023U



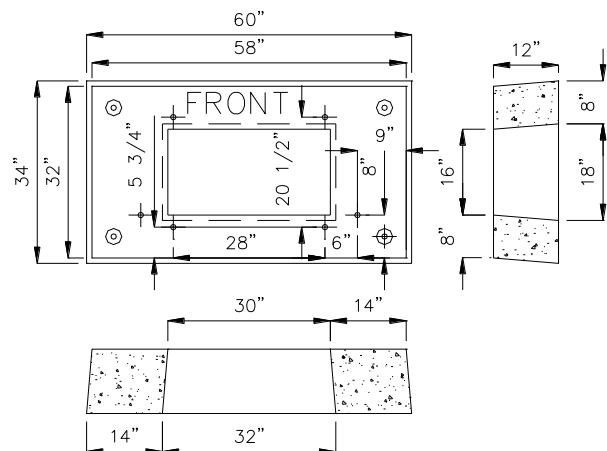
NVE STOCK #24-0724
3Ø JUNCTION ENCLOSURE #25-2130
 USED FOR 504 VAULT CONVERSIONS
 REFER TO DRAWING PE0025U



NVE STOCK #24-0722
 FOR USE WITH 3Ø STEEL
 JE #25-2130



NVE STOCK #24-0721
 FOR USE WITH 1Ø STEEL
 JE'S #25-2120 & 25-2125




				VOLUME 17 – ENGINEERING & CONSTRUCTION STANDARD		PADMASTER
				PAD & WELL DETAILS FOR TRANSFORMERS, SWITCHES, & JUNCTION ENCLOSURES		
Drawn:	Eng:	Appr:	Date:			Revision: 7
JVV	MB	DA	11/16			Page 4 of 5

**PAD & WELL DETAILS FOR TRANSFORMERS, SWITCHES,
CAPACITORS & JUNCTION ENCLOSURES**

PADMASTER

SWITCH "EASY-REFERENCE" SUMMARY TABLE

Vol. 5 SSP 'U' Reference.	Pad/Wells/Vault Stock Numbers (sizes)	Vol. 17 Ref.	Switch #	25KV Switch Description
SSP01U	24-0692 pad (44" x 48" X 6")	PE0001U	25-3912	1P, 200AMP, 2 WAY, 1 FUSE WAY, 2UBW
SSP02U	24-0726 pad (55" X 72" x 6")	PE0012U	25-3913	3P, 200AMP, 2 WAY, 1 FUSE WAY, 6UBW
SSP05U	24-0728 pad (68" x 72" x 6")	PE0013U	25-3916	3P, 200AMP, 4 WAY, 0 FUSE WAY, 12UBW
SSP06U, maint. only. (See SSP30U, new)	24-0728 pad (68" x 72" x 6")	PE0013U	25-3917	3P, 200AMP, 4 WAY, 1 FUSE WAY, 12UBW
SSP07U, maint. only. (See SSP30U, new)	24-0736 pad (92" x 72" x 8")	PE0015U	25-3918	3P, 200AMP, 4 WAY, 2 FUSE WAY, 12UBW
SSP15U well SSP16U vault	24-0734 (well) 24-1077 (612 vault)	PE0017U VB0085U	25-3921	3P, 600AMP, 4 WAY, 0 FUSE WAY, 0UBW
SSP18U well, maint. only SSP19U vault, maint. only (See SSP38/39U, new)	24-0738 (well) 24-1076 (612 vault)	PE0018U VB0085U	25-3922	3P, 600/200AMP, 4 WAY, 1 FUSE WAY, 3UBW
SSP21U well, maint. only SSP22U vault, maint. only (See SSP32/33U, new)	24-0738 (well) 24-1076 (612 vault)	PE0018U VB0085U	25-3923	3P, 600/200AMP, 4 WAY, 2 FUSE WAY, 6UBW
SSP30U	24-0732 pad (81" x 86" x 8")	PE00014	25-3928	3P, 200AMP, 4 WAY, 2 VFI, 12UBW
SSP32U SSP33U	24-0730 (well) 24-1075 (612 vault)	PE0016U VB0085U	25-3931	3P, 600/200AMP, 4 WAY, 2 VFI, 6UBW
SSP38U SSP39U	24-0730 (well) 24-1075 (612 vault)	PE0016U VB0085U	25-3934	3P, 600/200AMP, 4 WAY, 1 VFI, 3UBW
SSP50U	24-0692 pad (44" x 48" x 6")	PE0001U	25-3937	1P, 200AMP, 3 WAY, 2 FUSE WAY, 4UBW
SSP52U	24-0726 pad (57" X 74" x 6")	PE0012U	25-3924	3P/1P, 200AMP, 4 WAY, 3P UNSWITCHED, 3-1P FUSED, 6UBW
SSP54U, maint. Only (See SSP56U, new)	24-0728 pad (70" X 74" x 6")	PE0013U	25-3925	3P/1P, 200AMP, 5 WAY, 3P SWITCHED, 3-1P FUSED, 9UBW
SSP56U	24-0732 pad (81" x 86" x 8")	PE0014U	25-3932	3P/1P, 200AMP, 5 WAY, 3P SWITCHED, 3-1P VFI, 9UBW
PPM01U	24-0731 (well)	PE0023U	PRIMARY METER	PRIMARY METERING 200 / 600AMP
To Be Drawn	24-0697 pad	PE0006U	89-2990 89-2995	PADMOUNT CAPACITOR
To Be Drawn	24-0735 (well)	To Be Drawn	25-3936	3P, 600/200 AMP, 4 WAY, 2VFI, 12 (600A) UBW

	VOLUME 17 – ENGINEERING & CONSTRUCTION STANDARD				PADMASTER
	PAD & WELL DETAILS FOR TRANSFORMERS, SWITCHES, & JUNCTION ENCLOSURES				
Drawn:	Eng:	Appr:	Date:	Revision: 7	
JVV	MB	DA	11/16	Page 5 of 5	