

Street Light Location and Design Information

Streetlights, Bases and Sonotubes will be located on property lines and/or curb returns. Preferred applications behind sidewalks or a minimum of 2.5’ behind face of curb in parkways or roadways. Location, light levels and spacing will meet requirements as required per the local governing agencies set application.

Recommended Luminaire Placement At Intersections And Cul-De-Sacs Shall Be Installed As Follows:

- A. A minimum of one luminaire shall be located at each residential, (local/local), two lane road at street intersections. The ~5000 lumen LED (100W HPS equivalent) at 26’ mounting height.
- B. A minimum of two luminaires shall be located at each, (major or collector/collector or local), street intersections or three legged intersections.* A minimum of a ~9400 lumen LED (200 watt HPS equivalent) will be used at a 35’ mounting height.
- C. A minimum of four luminaires will be located at each (major/ major) intersection, minimum of ~9400 lumen.*
- D. A minimum of one luminaire shall be installed in the vicinity of cul-de-sacs. ~5000 lumen (Note: Does not apply to rural areas in county).

* NVE does not light traffic signaled intersections. Traffic signaled intersections are installed with metered facilities and the responsibility of the cities/ counties to light.

If designated as a State Highway, lighting will be NDOT'S responsibility. NVE does not stock the break-away poles NDOT requires.

Decorative Fixtures (Subdivision Use Only)

NVE recommends that all decorative luminaires be limited to local roadways at a maximum spacing of 225'. Preferred design will be staggered, and an alternate design will be on one side of the road. Lights will be located per the Street Light Design Guide (SLD01U), Volume 5. Note: This application is for uniformity and to set an ambiance for the development. **No light level is required to be met.** Check with the local governing agency to verify approval, proper application and/or special requirements.

				VOLUME 17 – ENGINEERING & CONSTRUCTION STANDARD		PE0035U
				STREET LIGHT BASE, SONOTUBE LOCATION AND DESIGN		
Drawn:	Eng:	Appr:	Date:			Revision: 2
BSP	MB	DA	11/18			Page 1 of 5

2.0 STREET LIGHT INSTALLATION

Excavation

Excavation for streetlights shall be performed by the contractor or customer concurrent with adjacent trench excavation, unless otherwise directed by the NVE Engineer or Inspector. Size, depth, and alignment of the excavation shall be shown on the Work Order Drawings. Direct buried poles are used, set in Sonotube, NO PVC water or sewer pipe can be used.

Dewatering

Where ground water is encountered during excavation, it shall be the responsibility of the contractor or customer to adequately dewater the excavation to provide for safe and convenient installation of the streetlight substructure.

Bedding and Backfill

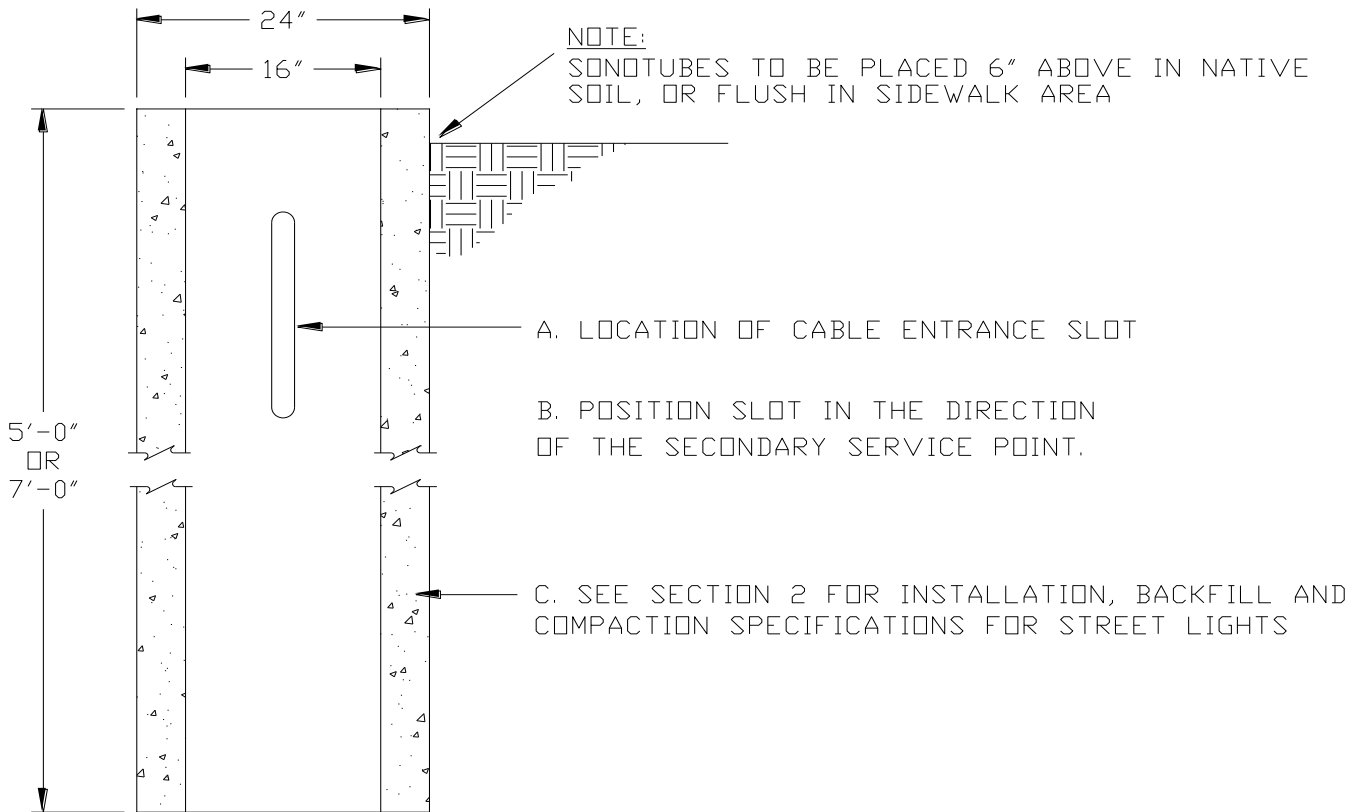
Streetlights and sonotubes shall be bedded with Type II subbase for the full depth of component at 90% compaction surrounding the component at a 2' radius.

Installation of Precast Bases (Obsolete for Reference Only)

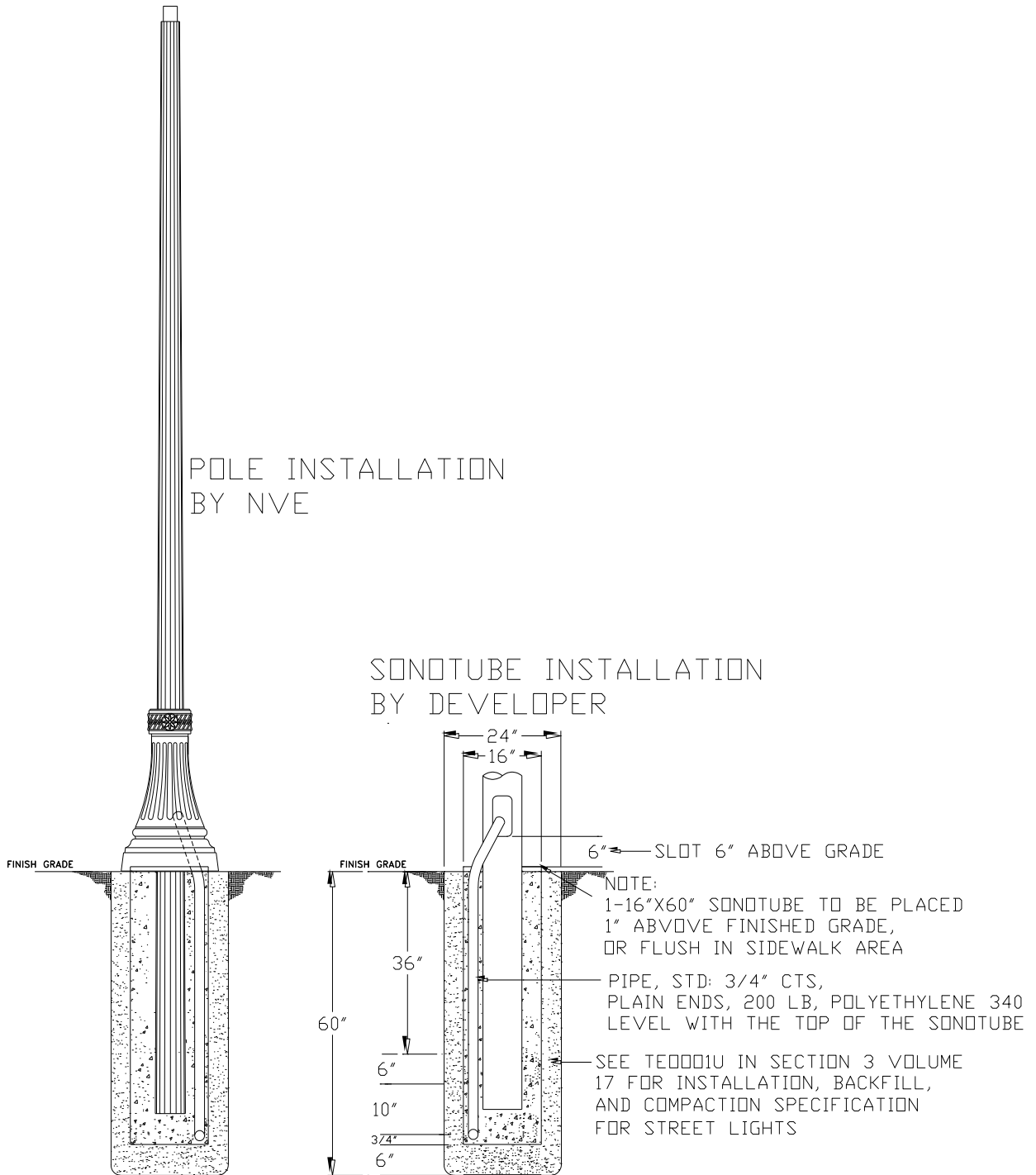
Precast streetlight bases shall be installed using equipment with adequate load capacity to safely handle the components. All bases shall be set 3" - 6" above proposed finish grade with bolt pattern aligned for proper arm direction as shown on work order drawings, typically 90° off curb line. Precast bases shall be bedded with Type II subbase for the full depth of component at 90% compaction surrounding the component at a 2' radius.

				VOLUME 17 – ENGINEERING & CONSTRUCTION STANDARD		PE0035U
				STREET LIGHT BASE, SONOTUBE LOCATION AND DESIGN		
Drawn:	Eng:	Appr:	Date:	Revision: 2		Page 2 of 5
BSP	MB	DA	11/18			

INSTALLATION TABLE FOR STREET LIGHT POLES						
DESCRIPTION	Embedded 30' Steel	Embedded 42' Steel	Embedded 23' Square Decorative	Embedded 20' Round Concrete *	Embedded 34' Round Concrete	Fluted Steel Decorative
STOCK #	28-0830	28-0840	28-0750	28-0745	28-0740	28-1108
POLE INSTALLATION DEPTH	5'	7'	4'-3"	3'-7"	5'-3"	Detail On Next Page
SONOTUBE DIAMETER	16"	16"	16"	16"	24"	16"
SONOTUBE DEPTH	5 FT	7 FT	5 FT	5 FT	5 FT	5 FT
SLOT LOCATION FROM TOP OF TUBE	3'-0"	3'-0"	1'-6"	1'-6"	1'-6"	Detail On Next Page
* For Reference Only Not For New Construction						

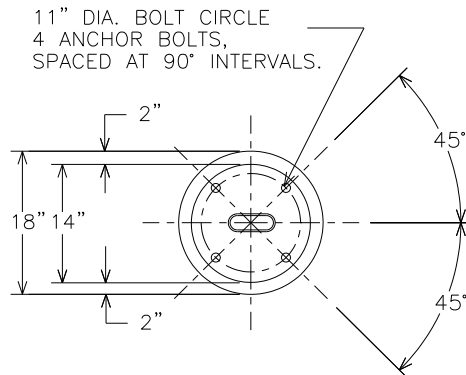


**Embedded Decorative Steel Pole Installation
For the Fluted Decorative Steel Poles**



				VOLUME 17 – ENGINEERING & CONSTRUCTION STANDARD		PE0035U
				STREET LIGHT BASE, SONOTUBE LOCATION AND DESIGN		
Drawn:	Eng:	Appr:	Date:			Revision: 2
BSP	MB	DA	11/18			Page 4 of 5

REFERENCE ONLY NOT FOR NEW CONSTRUCTION



TOP VIEW

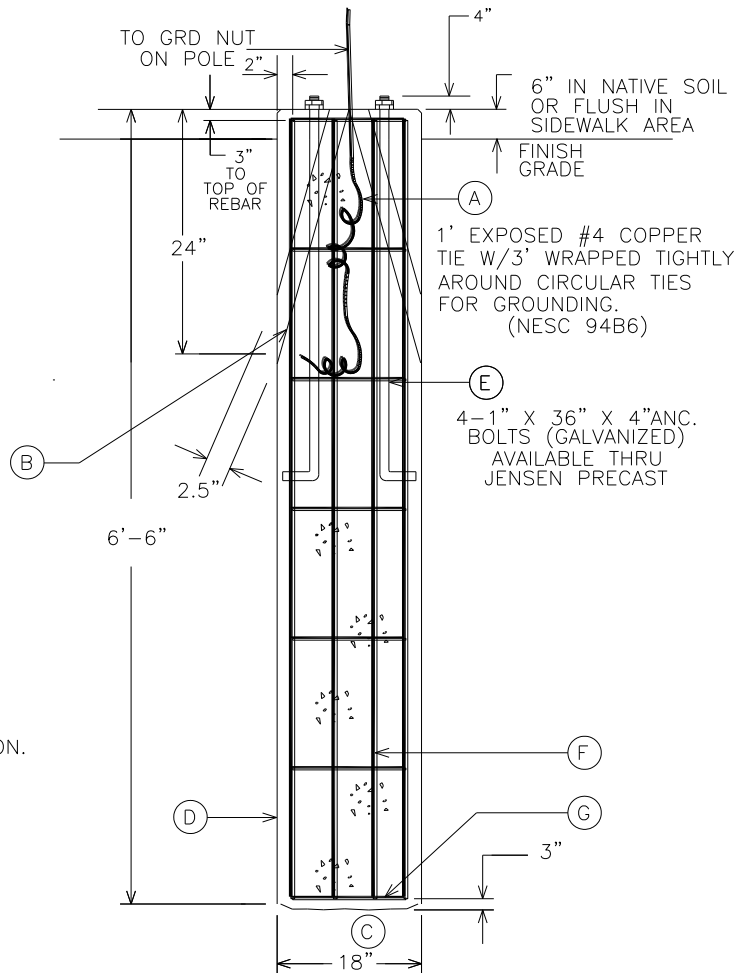
(B) 2.5" CHAMBER OPENING FOR CONDUIT OR WATER PIPE PLACEMENT.

NOTE: (B) CONDUIT SWEEP OR CHAMBER NOT NEEDED WITH COMPATIBLE UNIT ODL30H. FOR SLB02U, CHAMBER SUPPLEMENTED WITH 1 OR 2 2" 45° SWEEPS IF FIELD FORMED.

NOTE: MIN. CONCRETE STRENGTH TO BE 2500 PSI AT 28 DAYS, AND SHOULD HAVE 4 TO 6% ENTRAINED AIR FOR FREEZE-THAW PROTECTION. MIN. RE-BAR YIELD STRENGTH SHALL BE 60 K.S.I. ANCHOR BOLT TENSILE STRENGTH SHALL BE 55 K.S.I.

NOTE: THIS ITEM CAN BE ORDERED FROM JENSEN PRECAST, SPPCo STK #24-0018. ** APPLICANT SUPPLIED MATERIAL IF FIELD FORMED.

NOTE: FIELD INSPECTION REQUIRED PRIOR TO CONCRETE POUR. TIE #4 SD COPPER (A) TO GROUND ROD IN FIELD FORM APPLICATION.



ELEVATION VIEW
JENSEN PRECAST BASE
SCALE: N.T.S.

COMPATIBLE UNIT NO.	ODL30H BASE FOR (O/H) BOLTED POLE	SLB02U BASE FOR (U/G) BOLTED POLE	MATERIAL LIST (FOR FIELD FORM)	
ITEM	QTY.	QTY.	DESCRIPTION	MATERIAL
A	4'-0"	4'-0"	WIRE #4 SD COPPER TIE	**
B	N/A	1 OR 2	SWEEP CONDUIT PVC 2" DB-60 45° X 2' RAD.	**
C	0.5 YDS.	0.5 YDS.	CONCRETE BULK (FOR CMS SUPPORT)	**
D	1.0	1.0	TUBE FIBER 18" DIA. X 6'-6"	**
E	4.0	4.0	ANCHOR BOLTS 4" THREAD 36" LENGTH 4" 3'-4" LENGTH 1" DIA.	**
F	6.0	6.0	VERTICAL REBAR 6'-0" 6'-0" LENGTH #4 REBAR	**
G	7.0	7.0	CIRCULAR TIES 14" O.D. 12" OVERLAP 4'-8" LENGTH #3 REBAR	**
H	1.0	1.0	ROD GROUND 5/8" X 8" COPPER CLAD W/SCREW CLAMP	**

	VOLUME 17 – ENGINEERING & CONSTRUCTION STANDARD			PE0035U
	STREET LIGHT BASE, SONOTUBE LOCATION AND DESIGN			
Drawn: BSP	Eng: MB	Appr: DA	Date: 11/18	Revision: 2
				Page 5 of 5