

1.0 Street Light Location and Design Information


Streetlights, Bases and Sonotubes will be located on property lines and/or curb returns. Preferred applications behind sidewalks or a minimum of 2.5’ behind face of curb in parkways or roadways. Location, light levels or spacing will meet requirements as required per the local governing agencies set application.

1.1 Luminaire Placement At Intersections And Cul-De-Sacs Shall Be Installed As Follows:

- A. A minimum of one luminaire shall be located at each residential, (local/local), two lane road at street intersections. 100 Watt HPS at 25' mounting height.
- B. A minimum of two luminaires shall be located at each, (major or collector/collector or local), street intersections or three legged intersections. A minimum of a 200 watt HPS will be used at a 35' mounting height.
- C. A minimum of four luminaires will be located at each (major/ major) intersection, minimum of 200 watt HPS. Note: These intersections are typically scheduled for signals with streetlights and installed with metered facilities. If designated as a State Highway, lighting may be NDOT'S responsibility.
- D. A minimum of one luminaire shall be installed in the vicinity of cul-de-sacs. 100 watt HPS (Note: Does not apply to rural areas in county).

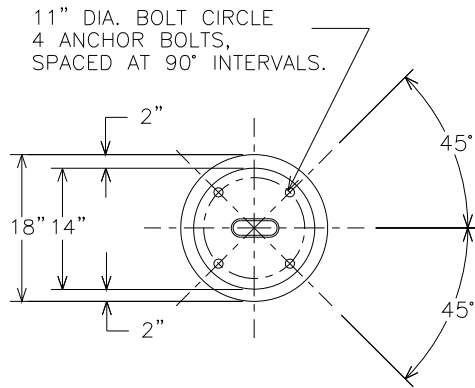
1.2 NVE recommends that all decorative luminaires be limited to local roadways at a maximum spacing of 225', preferred design will be staggered, and alternate design will be on one side of the road. Lights will be located per Sections 4.0 and 4.1 (A) and (D) of the Street Light Design Guide (SLD01U). Volume 5, Street Light Section.

Note: This application is for uniformity and to set an ambiance for the development. **No light level is required to be met.** Check with your local governing agency to verify approval, proper application and/or special requirement.

				VOLUME 17 – ENGINEERING & CONSTRUCTION STANDARD		SLB02U	
				O/H & U/G STREET LIGHT BASE, SONOTUBE LOCATION AND DESIGN		ODL30H	
Drawn:	Eng:	Appr:	Date:			Revision: 2	
BSP	MB	DA	7/05			Page 1 of 2	

O/H & U/G STREET LIGHT BASE, SONOTUBE LOCATION AND DESIGN

SLB02U
ODL30H



TOP VIEW

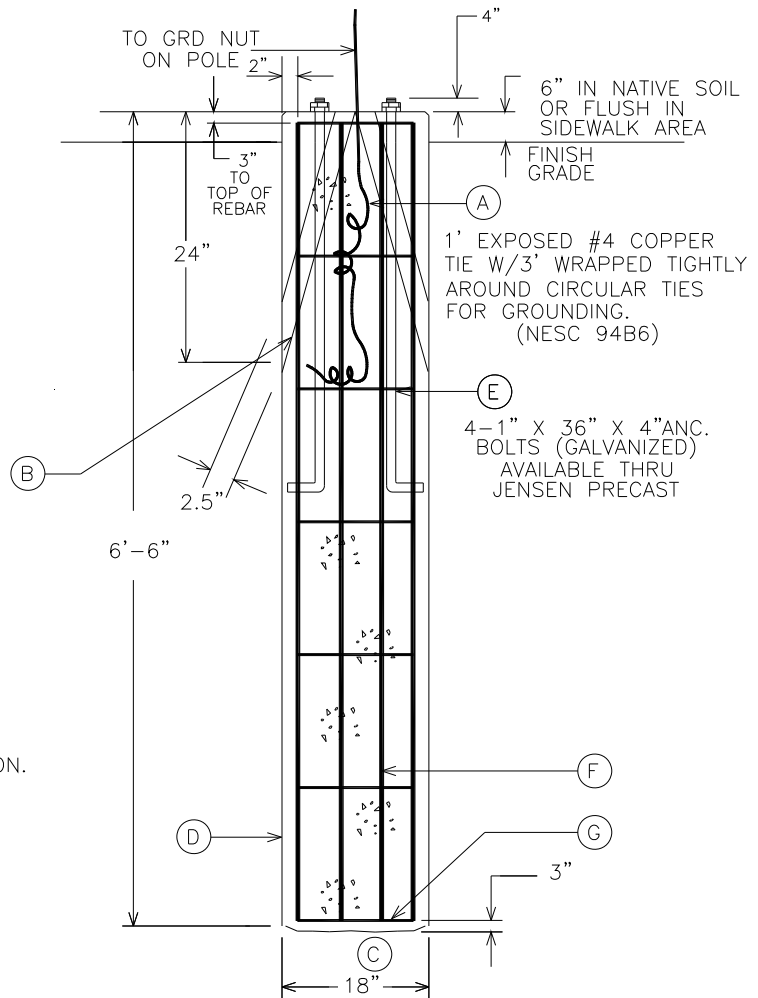
(B) 2.5" CHAMBER OPENING FOR CONDUIT OR WATER PIPE PLACEMENT.

NOTE: (B) CONDUIT SWEEP OR CHAMBER NOT NEEDED WITH COMPATIBLE UNIT ODL30H. FOR SLB02U, CHAMBER SUPPLEMENTED WITH 1 OR 2 2" 45° SWEEPS IF FIELD FORMED.

NOTE: MIN. CONCRETE STRENGTH TO BE 2500 PSI AT 28 DAYS, AND SHOULD HAVE 4 TO 6% ENTRAINED AIR FOR FREEZE-THAW PROTECTION. MIN. RE-BAR YIELD STRENGTH SHALL BE 60 K.S.I. ANCHOR BOLT TENSILE STRENGTH SHALL BE 55 K.S.I.

NOTE: THIS ITEM CAN BE ORDERED FROM JENSEN PRECAST, SPPCo STK #24-0018. ** APPLICANT SUPPLIED MATERIAL IF FIELD FORMED.

NOTE: FIELD INSPECTION REQUIRED PRIOR TO CONCRETE POUR. TIE #4 SD COPPER (A) TO GROUND ROD IN FIELD FORM APPLICATION.



ELEVATION VIEW
JENSEN PRECAST BASE
SCALE: N.T.S.

COMPATIBLE UNIT NO.	ODL30H BASE FOR (O/H) BOLTED POLE	SLB02U BASE FOR (U/G) BOLTED POLE	MATERIAL LIST (FOR FIELD FORM)	
ITEM	QTY.	QTY.	DESCRIPTION	MATERIAL
A	4'-0"	4'-0"	WIRE #4 SD COPPER TIE	**
B	N/A	1 OR 2	SWEEP CONDUIT PVC 2" DB-60 45° X 2' RAD.	**
C	0.5 YDS.	0.5 YDS.	CONCRETE BULK (FOR CMS SUPPORT)	**
D	1.0	1.0	TUBE FIBER 18" DIA. X 6'-6"	**
E	4.0	4.0	ANCHOR BOLTS 4" THREAD (W/2-NUTS & 1-WASHER PER BOLT) 36" LENGTH 4'-3"-4" LENGTH 1" DIA.	**
F	6.0	6.0	VERTICAL REBAR 6'-0" 6'-0" LENGTH #4 REBAR	**
G	7.0	7.0	CIRCULAR TIES 1 1/2" O.D. 12" OVERLAP 4'-8" LENGTH #3 REBAR	**
H	1.0	1.0	ROD GROUND 5/8" X 8" COPPER CLAD W/SCREW CLAMP	**

				VOLUME 17 – ENGINEERING & CONSTRUCTION STANDARD		SLB02U ODL30H	
				O/H & U/G STREET LIGHT BASE, SONOTUBE LOCATION AND DESIGN			
Drawn:	Eng:	Appr:	Date:	Page 2 of 2			
BSP	MB	DA	7/05				