

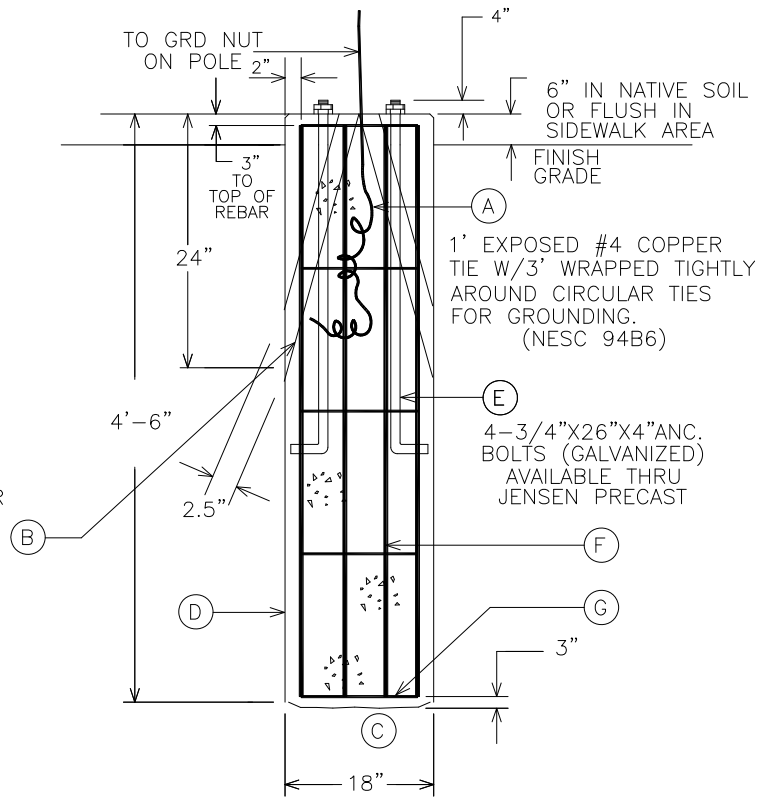
TOP VIEW

(B) 2.5" CHAMBER OPENING FOR CONDUIT OR WATER PIPE PLACEMENT.

NOTE: (B) CONDUIT SWEEP OR CHAMBER NOT NEEDED WITH COMPATIBLE UNIT OD30H. FOR SLB02U, CHAMBER SUPPLEMENTED WITH 1 OR 2 2" 45° SWEEPS IF FIELD FORMED.

NOTE: MIN. CONCRETE STRENGTH TO BE 2500 PSI AT 28 DAYS, AND SHOULD HAVE 4 TO 6% ENTRAINED AIR FOR FREEZE-THAW PROTECTION. MIN. RE-BAR YIELD STRENGTH SHALL BE 60 K.S.I. ANCHOR BOLT TENSILE STRENGTH SHALL BE 55 K.S.I.

NOTE: FIELD INSPECTION REQUIRED PRIOR TO CONCRETE POUR. TIE #4 SD COPPER (A) TO GROUND ROD IN FIELD FORM APPLICATION.



**ELEVATION VIEW
JENSEN PRECAST BASE**

SCALE: N.T.S.

COMPATIBLE UNIT NO.		SLB12U BASE FOR (U/G) BOLTED POLE		MATERIAL LIST (FOR FIELD FORM)	
ITEM	QTY.	DESCRIPTION		MATERIAL	
A	4'-0"	WIRE #4 SD COPPER TIE		**	
B	1 OR 2	SWEEP CONDUIT PVC 2" DB-60 45° X 2' RAD.		**	
C	0.3 YDS.	CONCRETE BULK (FOR CMS SUPPORT)		**	
D	1.0	TUBE FIBER 18" DIA. X 4'-6"		**	
E	4.0	ANCHOR BOLTS 4" THREAD 26" LENGTH 4'-2'-6" LENGTH 3/4" DIA. (W/2-NUTS & 1-WASHER PER BOLT)		**	
F	6.0	VERTICAL REBAR 4'-0" 4'-0" LENGTH #4 REBAR		**	
G	5.0	CIRCULAR TIES 14" 0.5" 12" OVERLAP 4'-8" LENGTH #3 REBAR		**	
H	1.0	ROD GROUND 5/8" X 8' COPPER CLAD W/SCREW CLAMP		**	

NOTE: THIS ITEM CAN BE ORDERED FROM JENSEN PRECAST, SPPCo STK #24-0019. ** APPLICANT SUPPLIED MATERIAL IF FIELD FORMED.

	VOLUME 17 - ENGINEERING & CONSTRUCTION STANDARD			SLB12U
	UNDERGROUND DECORATIVE STREET LIGHT BASE FOR 16'-0" POLES			
Drawn:	Eng:	Appr:	Date:	Revision: 2
BSP	JV	SJ	5/04	Page 1 of 1