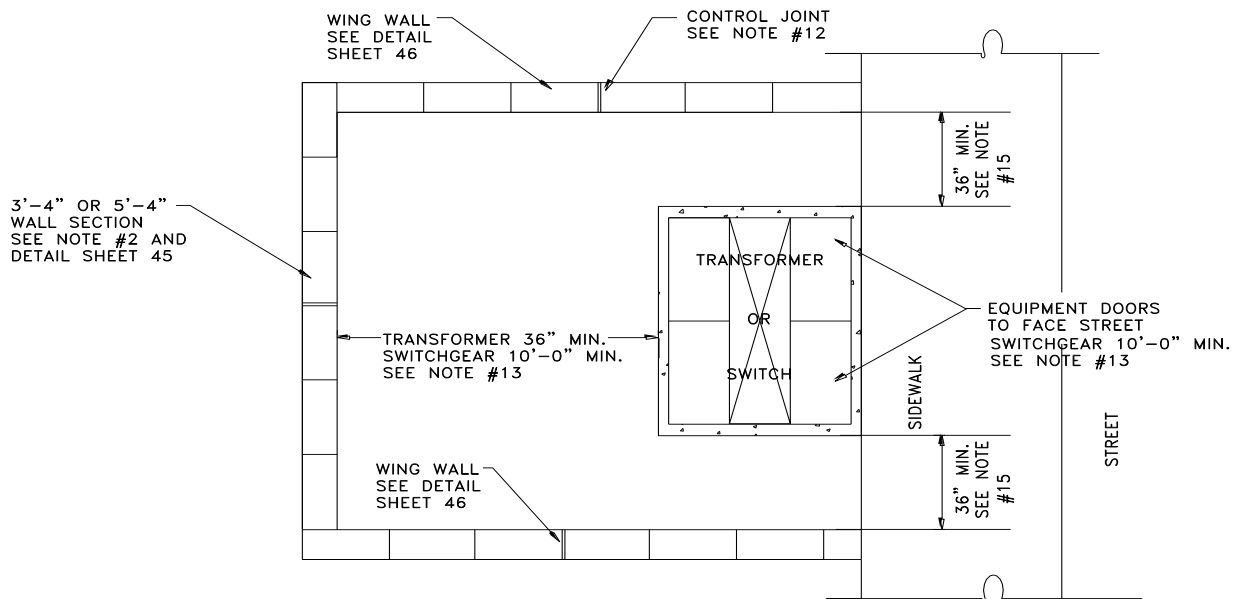



CONCRETE / CONCRETE BLOCK

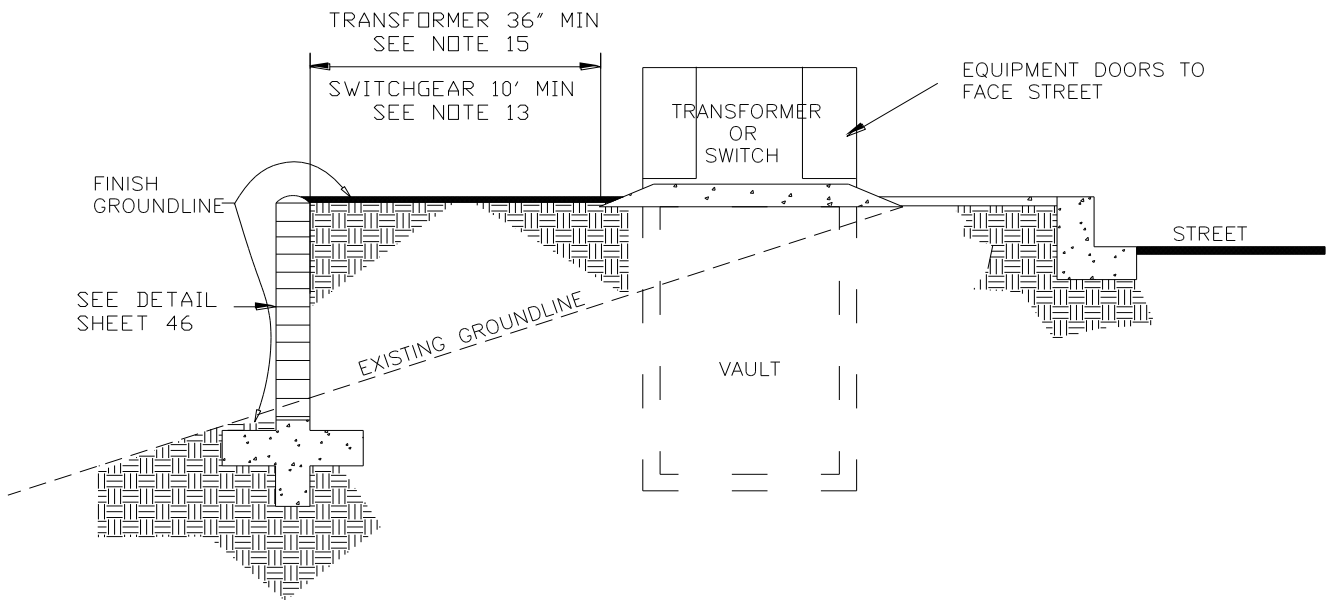


NOTES:

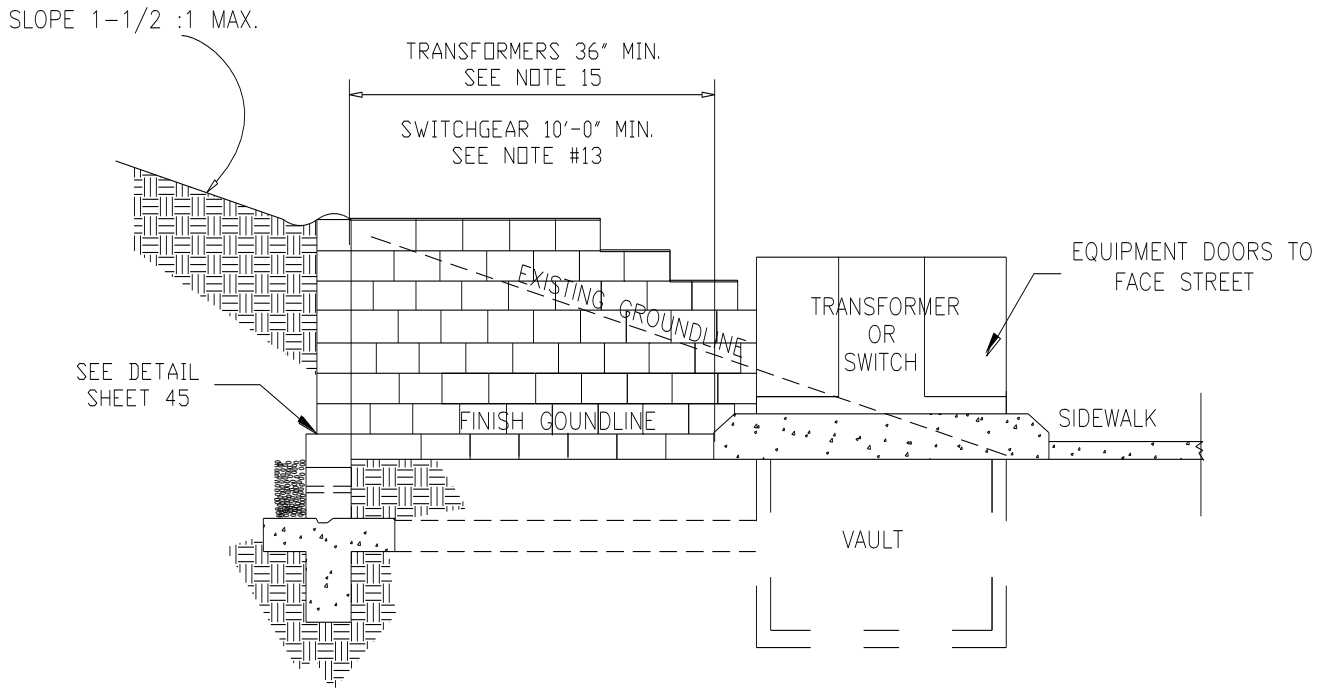
1. Retaining wall is designed for slopes up to $1\frac{1}{2}:1$ (35°) max. or for HS20-44 live load surcharge.
2. Retaining wall shall not exceed 5'-4" max. height. Slope modification may be required in some areas to meet height restraint.
3. Retaining wall to conform to all local building codes.
4. Developer is responsible for retaining wall construction.
5. Retaining wall to be completed prior to installation of transformer or switch.
6. Retaining wall may be cast in place, concrete to meet design criteria per all local building codes.
7. Reinforcing bars shall be deformed billet steel, conforming to the latest revision of ASTM A-615, grade 60, with minimum yield strength of 60,000 p.s.i.
8. Concrete shall have in-place minimum compression strength of 3000 p.s.i at 28 days. Cement shall be fresh type II Portland cement conforming to ASTM designation C-33. Concrete shall contain a minimum of 4% but not more than 8% entrained air by volume of concrete.
9. Concrete blocks shall be type NII in accordance with ASTM C-90 with a minimum compressive strength of 800 p.s.i. per individual unit.
10. Mortar shall be type M or S in accordance with ASTM C-270 with a minimum compressive strength of 1800 p.s.i. at 28 days.
11. Grout shall be either fine or coarse grout in accordance with ASTM C-476 with a minimum compressive strength of 2000 p.s.i. at 28 days. **GROUT ALL CELLS FULL.**
12. Provide control joints at maximum 10'-0" on centers. Place blocks leaving a 1/4" gap without mortar at each control joint.
13. The clear working space in front of doors on double sided switch equipment shall be a minimum of 10'-0" from edge of pad. Contact NVE representative to confirm switch layout prior to construction.
14. Secondary conduit to be stubbed-out prior to retaining wall construction.
15. Side clearance on all equipment installations shall be a minimum of 36" from edge of pad unless equipment is placed next to a combustible material; in that case a minimum of 10 feet is required.


				VOLUME 17 – ENGINEERING & CONSTRUCTION STANDARD		TE0040U
				RETAINING WALL DETAILS AND SLOPE MODIFICATIONS FOR PADMOUNTED EQUIPMENT & VAULTS		
Drawn:	Eng:	Appr:	Date:			Revision: 3
JVV	MB	DA	5/14			Page 1 of 5

RETAINING WALL INSTALLATION REQUIRING FILL

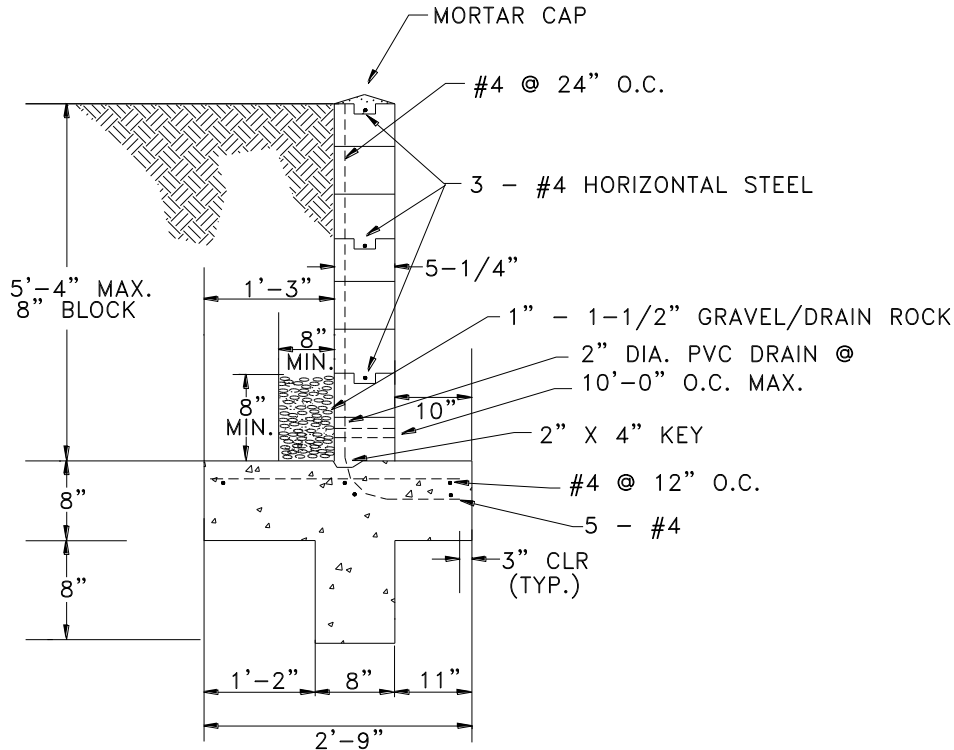


RETAINING WALL INSTALLATION REQUIRING CUT

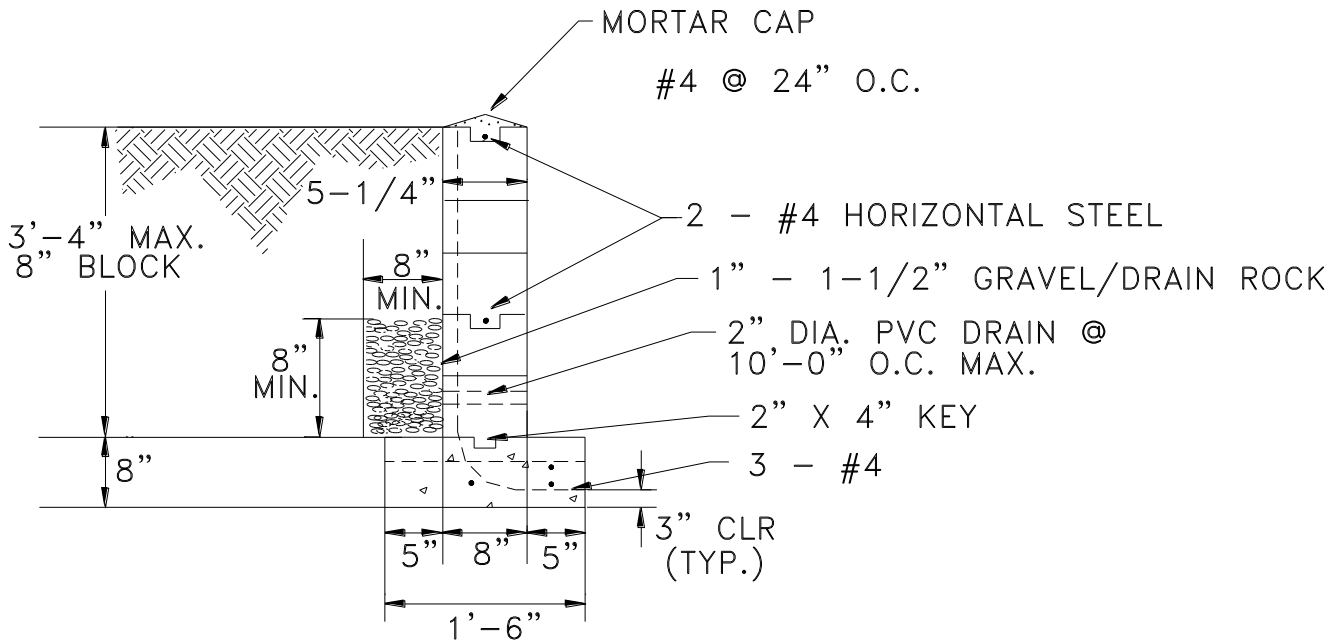



				VOLUME 17 – ENGINEERING & CONSTRUCTION STANDARD		TE0040U
				RETAINING WALL DETAILS AND SLOPE MODIFICATIONS FOR PADMOUNTED EQUIPMENT & VAULTS		
Drawn:	Eng:	Appr:	Date:			Revision: 3
JVV	MB	DA	5/14			Page 2 of 5

**TYPICAL WING WALL SECTION
MAXIMUM HEIGHT = 5'-4"**

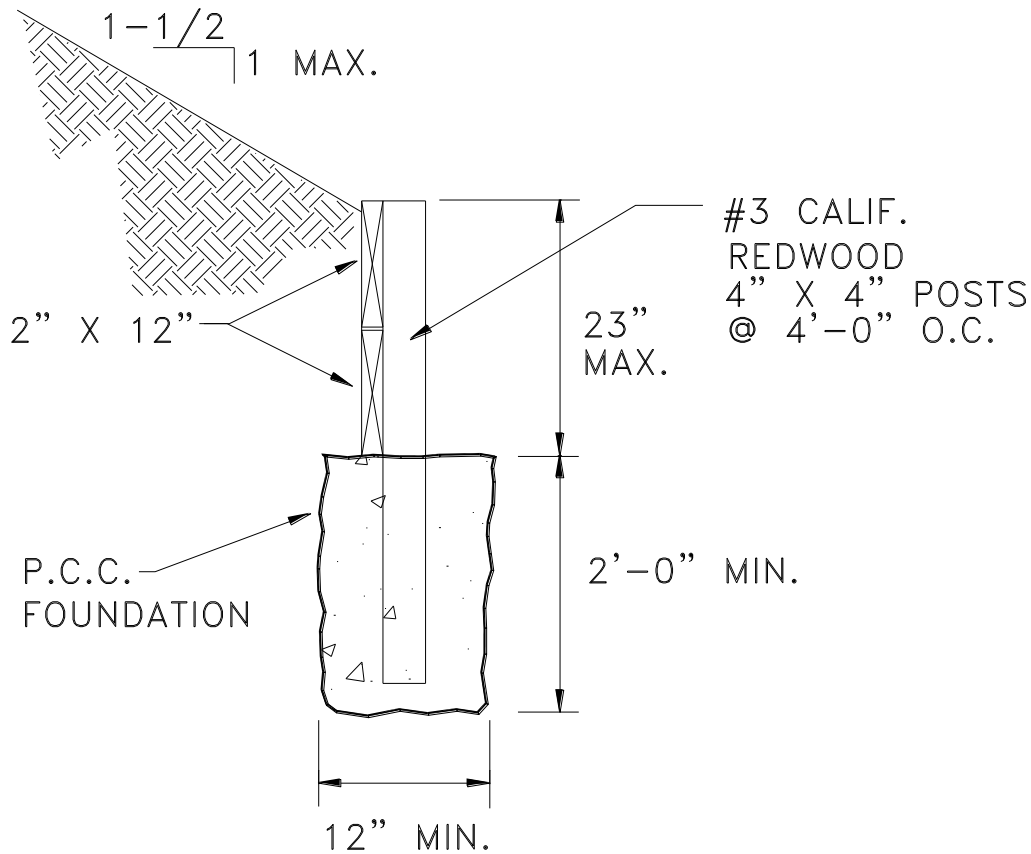


TYPICAL WING WALL SECTION MAXIMUM HEIGHT 3'-4"




				VOLUME 17 - ENGINEERING & CONSTRUCTION STANDARD		TE0040U
				RETAINING WALL DETAILS AND SLOPE MODIFICATIONS FOR PADMOUNTED EQUIPMENT & VAULTS		
Drawn:	Eng:	Appr:	Date:			Revision: 3
JVV	MB	DA	5/14			Page 4 of 5

REDWOOD LANDSCAPE WALLS



NOTES:

1. LANDSCAPE TIMBER TO BE CALIFORNIA REDWOOD, #3 OPEN GRADE OR BETTER **OR** TREATED DOUGLAS FIR, #2 GRADE OR BETTER. INSTALLATION IS LIMITED TO 23" MAXIMUM.
2. STACKED CONCRETE LANDSCAPING BLOCKS MAY BE USED. INSTALL PER MANUFACTURER'S SPECIFICATIONS. **MAXIMUM HEIGHT 4'-0"**
 - A. INSTALLATIONS OF CONCRETE LANDSCAPING BLOCKS OVER 4'-0" MAY BE INSTALLED IF A (PE) CIVIL ENGINEER HAS APPROVED AND STAMPED DRAWINGS.

				VOLUME 17 - ENGINEERING & CONSTRUCTION STANDARD		TE0040U
				RETAINING WALL DETAILS AND SLOPE MODIFICATIONS FOR PADMOUNTED EQUIPMENT & VAULTS		
Drawn:	Eng:	Appr:	Date:			Revision: 3
JVV	MB	DA	5/14			Page 5 of 5