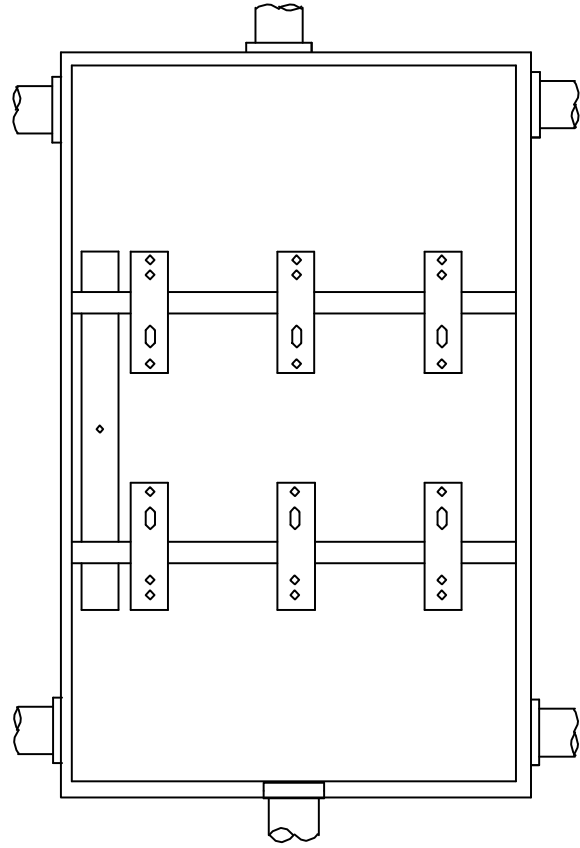
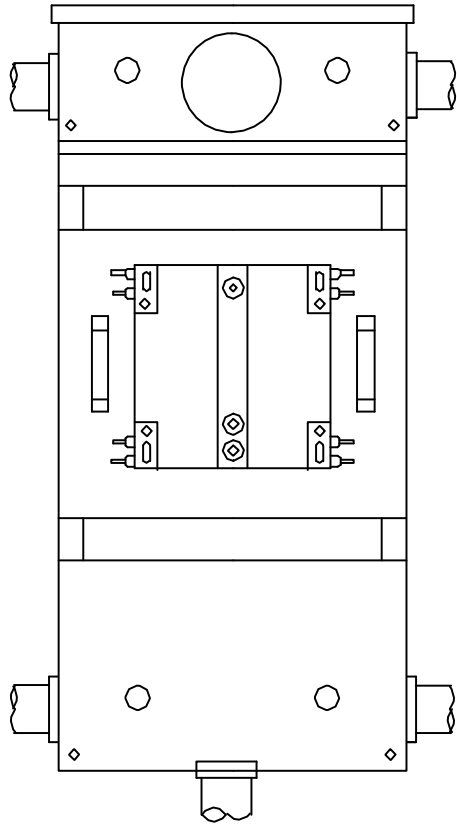



Metering Equipment: Installation Requirements

FOR MANUFACTURING REQUIREMENTS, REFER TO RPM-G, RPM-13, RPM-14, RPM-16, RPM-17, AND RPM-18




NOTES:

1. For RGS or IMC riser conduit, a hub or metal bushing with a ground lug is required for proper grounding of the conduit. A hub is the preferred method.
2. The termination section shall be free of all earth and water pipe ground leads or connections (excludes grounding for conduit).
3. Hubs shall be capped off.
4. Commercial meter services must be identified and permanently marked by contractor before meters are installed.
5. Line supply conductors can enter the instrument transformer compartment from either the top or bottom of the compartment. Load wires must exit through the opposite end of the compartment from which the line supply conductors entered.

				Electric Service Requirements		RPI-14
				Current Transformer Cabinets		
Drawn:	Eng:	Appr:	Date:			Revision: 1
DH	DH	DA	12/06			Page 1 of 2

Metering Equipment: Installation Requirements

THIS PAGE INTENTIONALLY LEFT BLANK

				Electric Service Requirements		RPI-14
				Current Transformer Cabinets		
Drawn:	Eng:	Appr:	Date:			Revision: 1
DH	DH	DA	12/06			Page 2 of 2