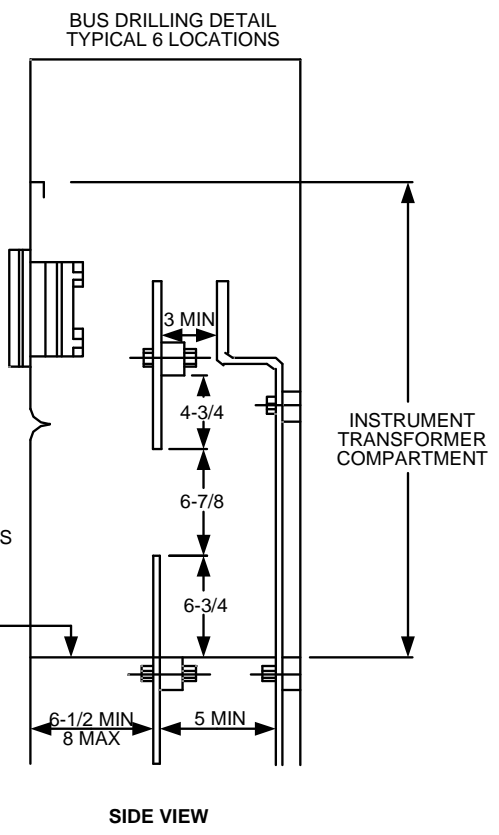
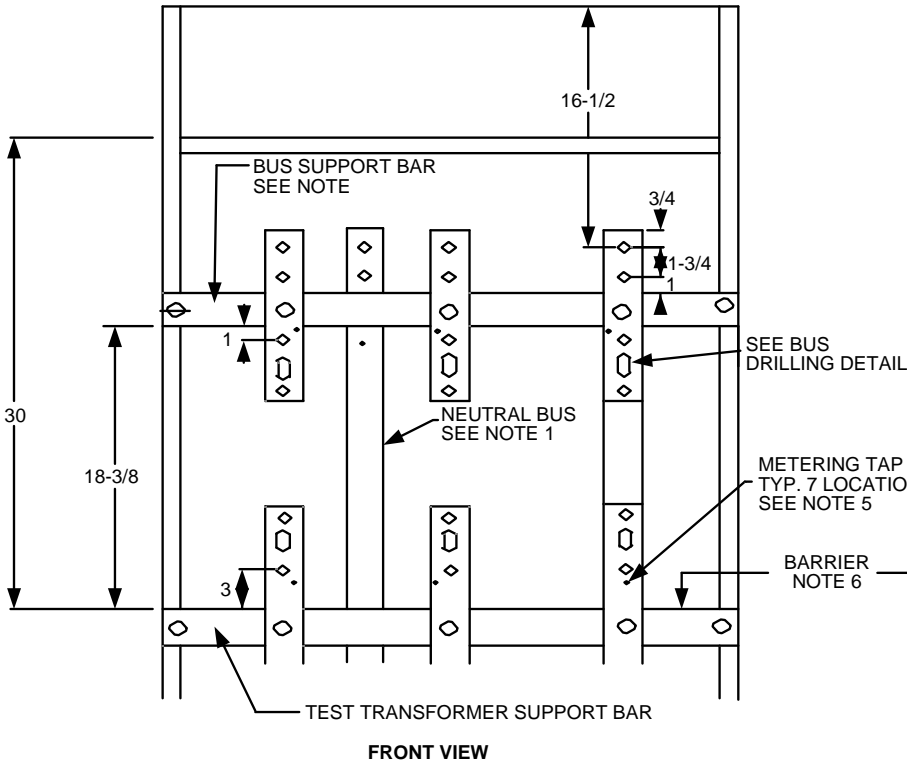
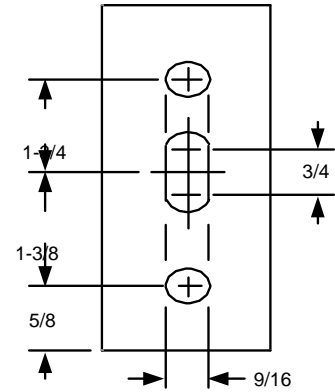
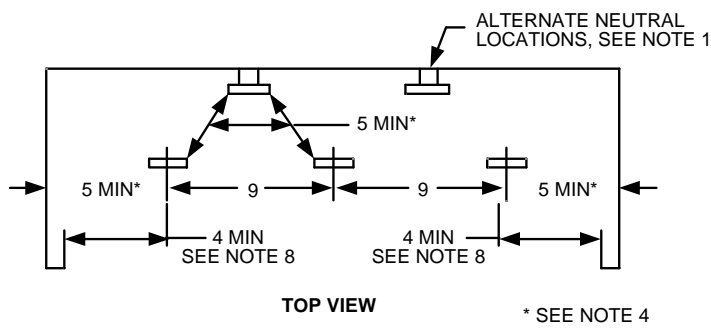



Metering Equipment: Material Requirements




All Dimensions Shown are in Inches

				Electric Service Requirements		RPM-20
				Instrument Transformer Compartment for Switchboards: 0-1000 Amps, 3Ø, 4 Wire		
Drawn:	Eng:	Appr:	Date:	Revision: 1		
DH	DH	DA	1106			Page 1 of 2

Metering Equipment: Material Requirements

NOTES:

1. Bus arrangements and supports shall be provided as shown, except the neutral bus may be located at either side or on either side wall. Bus supports shall be constructed of a continuous bar of insulating material and shall be rigid to prevent misalignment of the bus units with the cables in place.
2. The bus units may be supplied from the top or bottom and shall be anchored to prevent turning. Bus units shall be constructed of rectangular bus and when laminated shall have no space between laminations. Bus dimensions shall be provided as follows:
 Minimum: $\frac{1}{4}$ " x 2"
 Maximum: $\frac{3}{4}$ " x 2"
 Note: When supplied from the top, the upper bus unit width may be increased to 4".
3. When the compartment is supplied from horizontal cross-bussing, the bussing shall pass through the compartment or in the sealed area above the compartment. No other conductors shall pass through the compartment.
4. A clear unobstructed work space shall be provided around the current-transformer bus units from the barrier to the upper support bar.
5. Taps for attachment of meter wiring shall be provided as follows:
 - A. One tap on each upper and lower phase bus unit with a 10-32 screw and washer provided for each phase bus in either the upper or lower position.
 - B. One tap on the neutral bus unit shown, or when the compartment is supplied from cross-bussing a tap may be provided on the neutral cross-bus, or on a bus bar extension provided from the neutral cross-bus. A 10-32 screw and washer shall be provided for the neutral bus. Tap locations shall be centered between phase bus units, or at either side, and shall be readily accessible under energized conditions and with current-transformers in place.
6. The barrier shall be constructed of a rigid insulating material resistant to ARC tracking, and shall be secured in place with a maximum deflection of $\frac{1}{2}$ " from an applied force of 25 pounds downward. Openings in the barrier (i.e., peripheral gaps around barrier, cutouts around bus bars, and hole diameters provided for ventilation) shall not exceed $\frac{3}{8}$ ". The barrier shall be attached with nonconductive fasteners.
7. The power leg bus for a 4-wire delta service shall be identified by an orange outer finish, or by tagging or other effective means.
8. Dimensions measured to the inside edge of the compartment access opening.
9. For busses wider than 2", voltage taps on the top and bottom are necessary.

				Electric Service Requirements		RPM-20
				Instrument Transformer Compartment for Switchboards: 0-1000 Amps, 3Ø, 4 Wire		
Drawn:	Eng:	Appr:	Date:			Revision: 1
DH	DH	DA	1106			Page 2 of 2