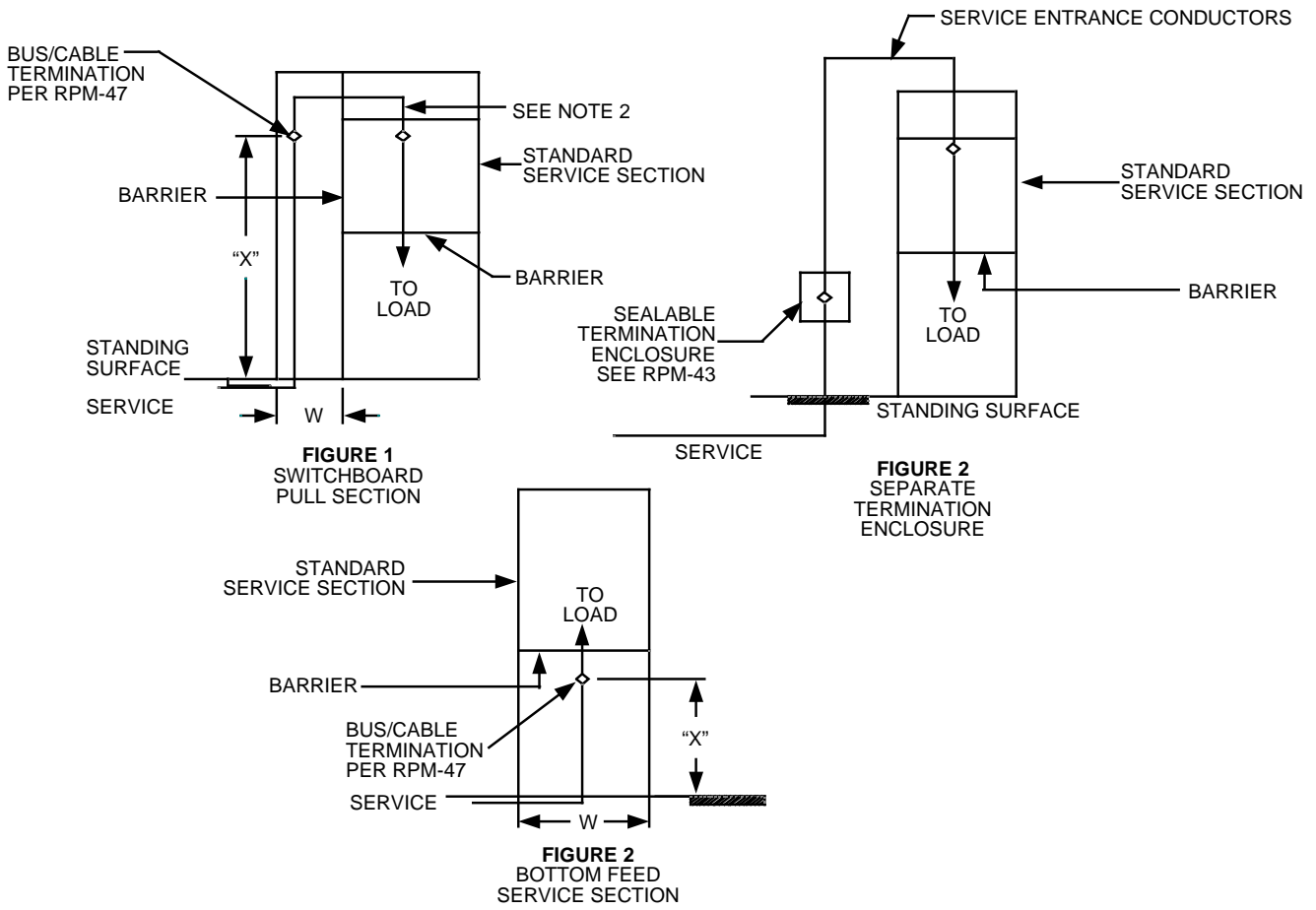


Metering Equipment: Material Requirements



SEE RPM-27 FOR CONSTRUCTION REQUIREMENTS

Table 1. Minimum Pull Section Dimensions


Switchboard Rating (Amperes)	Minimum Access Opening Dimension (W) See Note 4		Termination Height (X)
	3 Wire	4 Wire	
Below 400	Consult Serving Agency		
400 – 800	24"	24"	42" Min – 72" Max
801 – 1200	24"	30"	42" Min – 72" Max
1201 – 2000	30"	35"	42" Min – 72" Max
2001 – 3000	---	42"	60" Min – 72" Max
3001 – 4000	---	44"	60" Min – 72" Max

	Electric Service Requirements			RPM-45								
	Underground Service Termination: Standard Switchboard Service Section											
<table border="1"> <tr> <td>Drawn:</td> <td>Eng:</td> <td>Appr:</td> <td>Date:</td> </tr> <tr> <td>SM</td> <td>RD</td> <td>DA</td> <td>11/17</td> </tr> </table>	Drawn:	Eng:	Appr:	Date:	SM	RD	DA	11/17				Revision: 2 Page 1 of 2
Drawn:	Eng:	Appr:	Date:									
SM	RD	DA	11/17									

Metering Equipment: Material Requirements

NOTES:

1. A switchboard pull section as shown in Figure 1, a separate (nonattached) termination enclosure as shown in Figure 2, or a combination switchboard service section and pull section (bottom feed) as shown in Figure3 shall be provided for underground services.
2. Bus bars or cables may extend from the pull section into switchboard service sections rated up to 800 amperes. Bus bars are required when the service section rating exceeds 800 amperes or multiple metering is supplied.
3. When the service section is supplied from a switchboard pull section as shown in Figure 1, the bus bars or cables shall enter through the side or back of the sealable section above the current transformer compartment, or by means of horizontal cross bussing in back of the metering compartment.
4. The minimum pull section access opening (W) is measured between the left side and right side return flanges.
5. Side or rear entry of service entrance cables into the pull section may require greater dimensions than shown in Table 1. Consult NVE Meter Department for requirements.
6. All terminating enclosure (i.e., pull boxes and pull sections) shall have full front access. Cover panels shall be removable, sealable, provided with two lifting handles, and limited to a maximum of 9 square feet in area.
7. Sealing provisions shall consist of two drilled stud and wing-nut assemblies on opposite sides of the panels. All securing screws shall be captive.
8. Configurations such as shown in Figure 3 and that found in RPM-27 are not acceptable above 2000 amps.
9. See RPM-47 for construction details and clearance requirements for terminating facilities in pullboxes and pull sections. In switchboard pull sections, the 4" minimum clearance from any energized part to any removable access cover may be reduced to 1-1/2" when a safety barrier is provided by the manufacturer. The safety barrier shall:
 - A. Be constructed of a rigid insulating material, resistant to damage by impact or puncture, with a minimum thickness of 1/8".
 - B. Extend a minimum of 10" below terminating bus and extend upward to cover all energized parts that infringe into the 4" minimum clearance dimensions, and be removable.
 Note: Brackets and associated hardware used to mount the safety barrier shall not extend into the provided access opening
 - C. Have a caution sign affixed to the barrier reading "WARNING: THIS BARRIER MUST BE INSTALLED BEFORE REPLACING PULL SECTION COVERS". Additional caution signs shall be affixed to exterior of all pull section access covers reading "DO NOT REPLACE PULL SECTION COVERS UNTIL SAFETY BARRIER IS IN PLACE".
10. Ensure clear identification of the bus phasing, as well as the neutral position, for termination compartments, with labeling directly above the termination.

				Electric Service Requirements		RPM-45
				Underground Service Termination: Standard Switchboard Service Section		
Drawn:	Eng:	Appr:	Date:			Revision: 2
SM	RD	DA	11/17			Page 2 of 2