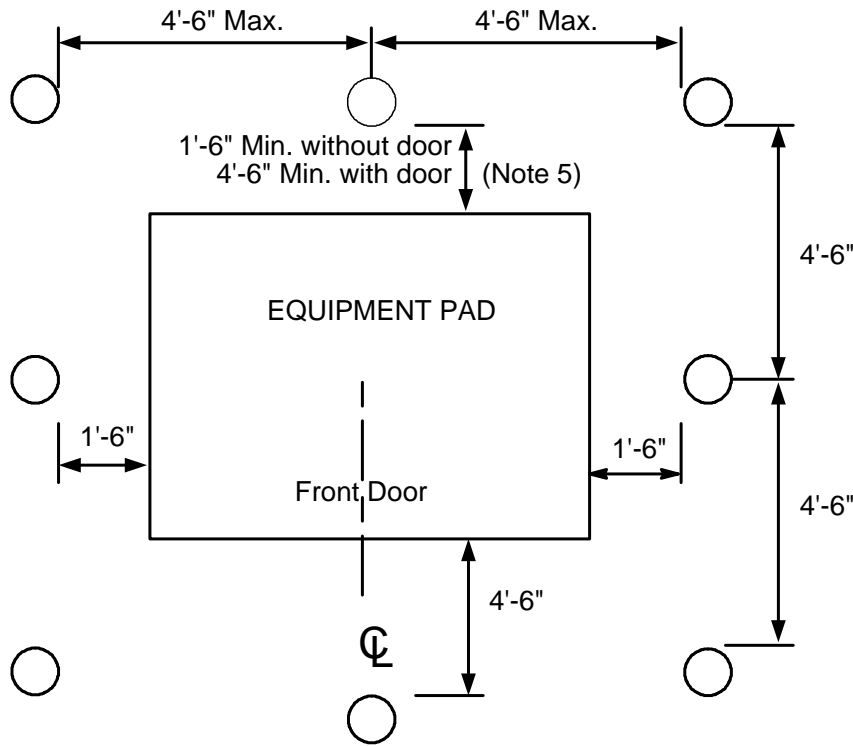


Clearances

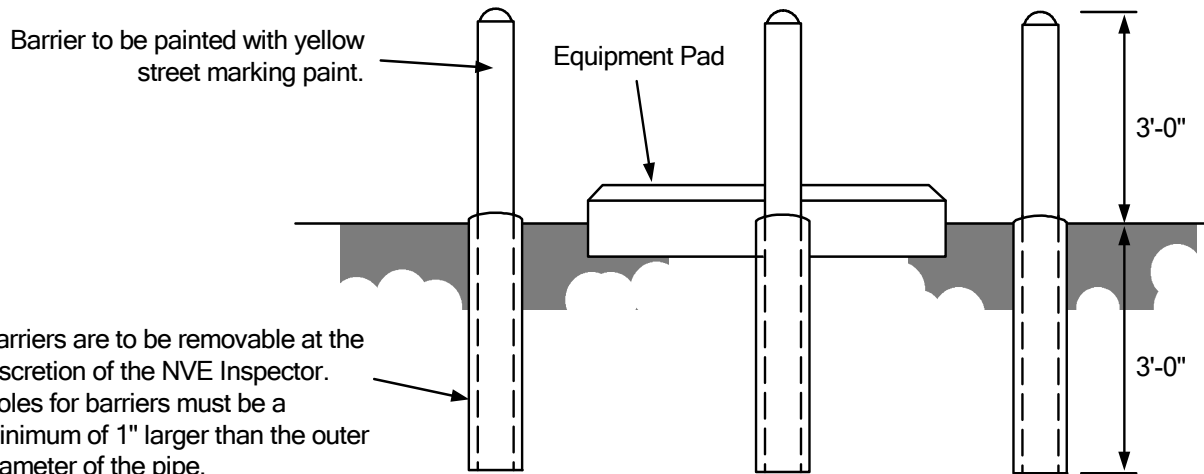
INSTALLATION REQUIREMENTS



Avoid cutting underground utility lines. It's costly.

Call before you Dig.

1-800-227-2600
UNDERGROUND SERVICE (USA)



Barriers are to be removable at the discretion of the NVE Inspector. Holes for barriers must be a minimum of 1" larger than the outer diameter of the pipe.

				Electric Service Requirements		RS-6
				Clearances to Vehicular Protection Barriers		
Drawn:	Eng:	Appr:	Date:			Revision: 3
JR	RD	DA	9/15			Page 1 of 2

Clearances

NOTES:

1. Barrier to be 4" steel pipe 6'-0" long and concrete filled.
2. No overhead obstacles permitted above NVE equipment, unless approved by the T&D Standards Supervisor.
3. Barriers on sides not accessible to vehicles may be omitted.
4. All materials and labor for protective barrier installation shall be provided by the customer.
5. Provide adequate clearance for items such as cooling coils and opening of doors on equipment.
6. In any event, no other obstructions may be present in the 7'-6" clearance area shown in RS-5.
7. There shall be a minimum 6' clearance from a barrier to the centerline of a fire hydrant.

CAUTION: Installation of barrier must be coordinated with electrical cables or conduit installation to avoid mutual interference.

				Electric Service Requirements		RS-6
				Clearances to Vehicular Protection Barriers		
Drawn:	Eng:	Appr:	Date:	Revision: 3		
JR	RD	DA	9/15	Page 2 of 2		