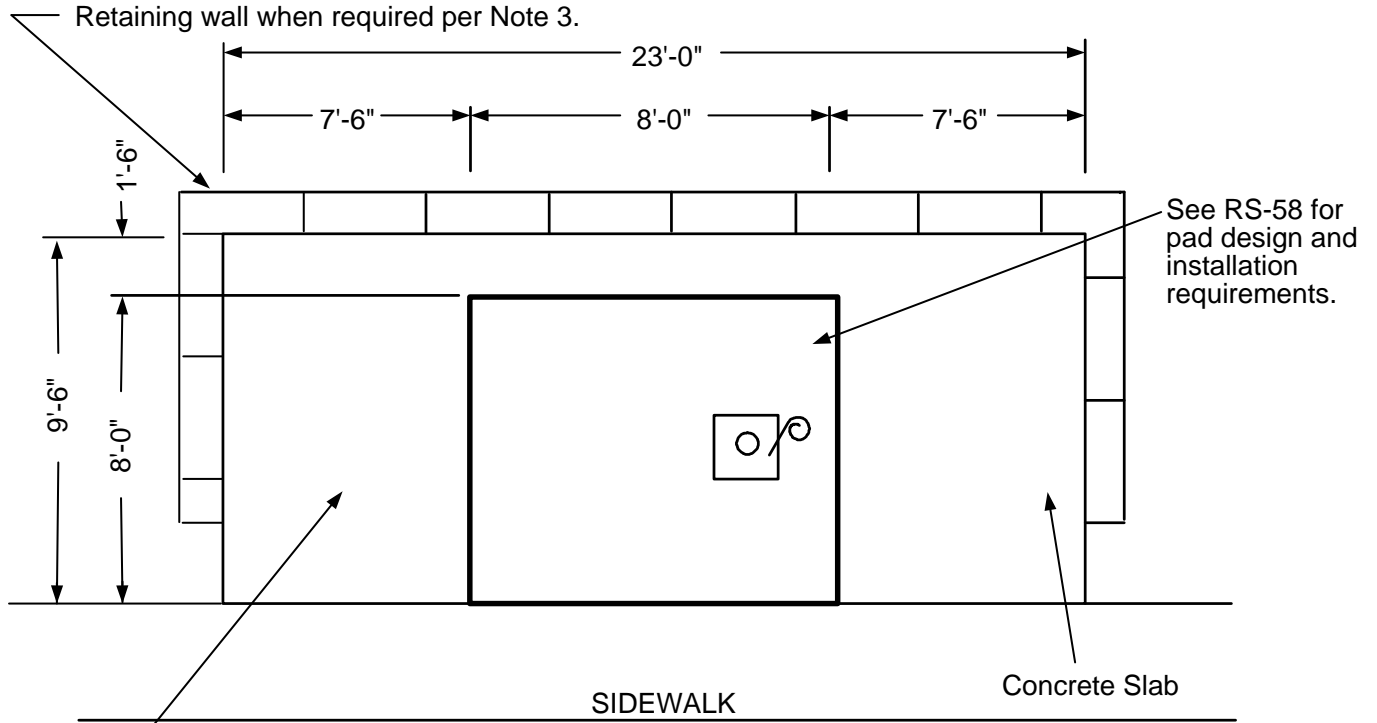
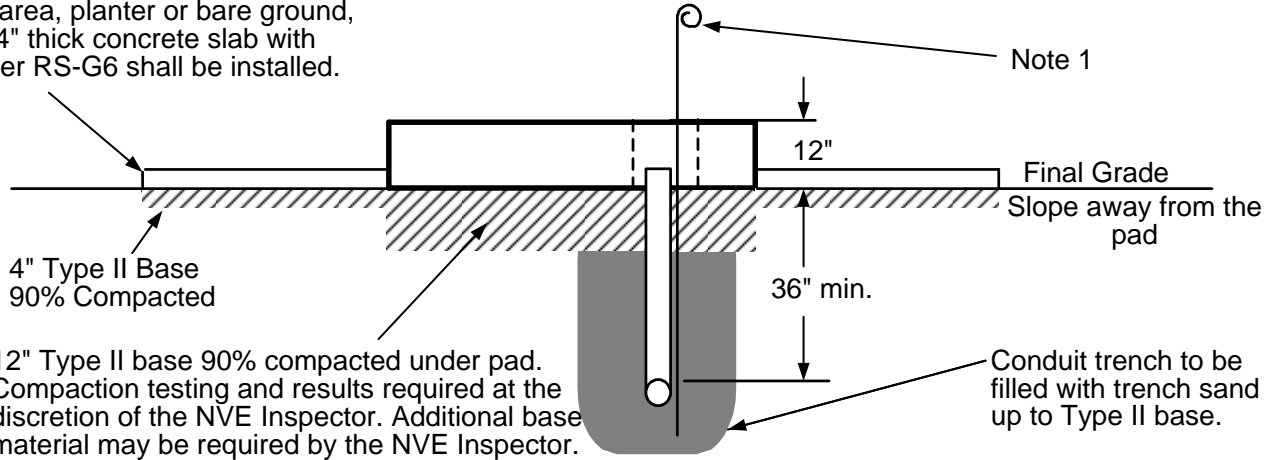



Equipment Pads

INSTALLATION REQUIREMENTS



When the equipment is located in a grassy area, planter or bare ground, then a 4" thick concrete slab with mesh per RS-G6 shall be installed.

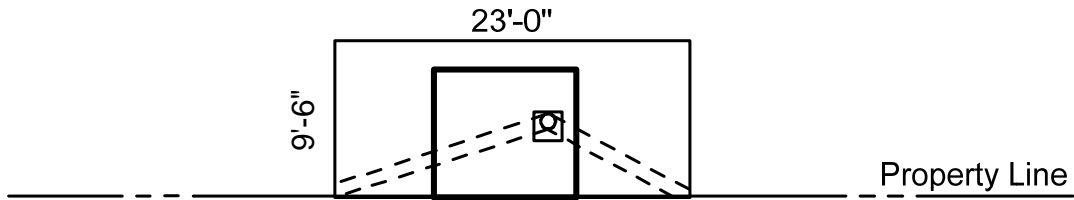



				Electric Service Requirements		RS-8
				25kV Capacitor Bank Pad Placement: Adjacent to Sidewalk		
Drawn:	Eng:	Appr:	Date:			Revision: 2
AF	TA	DA	03/12			Page 1 of 2

Equipment Pads

NOTES:

1. Grounding by customer shall be 2-50' #2 stranded bare copper ground wires laid in the bottom of the conduit trench in opposite directions with 2-5' tails above the pad opening.
2. For location and clearances to other structures, see RS-13 to RS-28 and RS-5.
3. Retaining wall required when grade from bottom of pad rises or lowers more than 1' in 5' horizontally.
4. Required easement:



				Electric Service Requirements		RS-8
				25kV Capacitor Bank Pad Placement: Adjacent to Sidewalk		
Drawn:	Eng:	Appr:	Date:	Revision: 2		Page 2 of 2
AF	TA	DA	03/12			