

# Equipment Pads

## DESIGN REQUIREMENTS

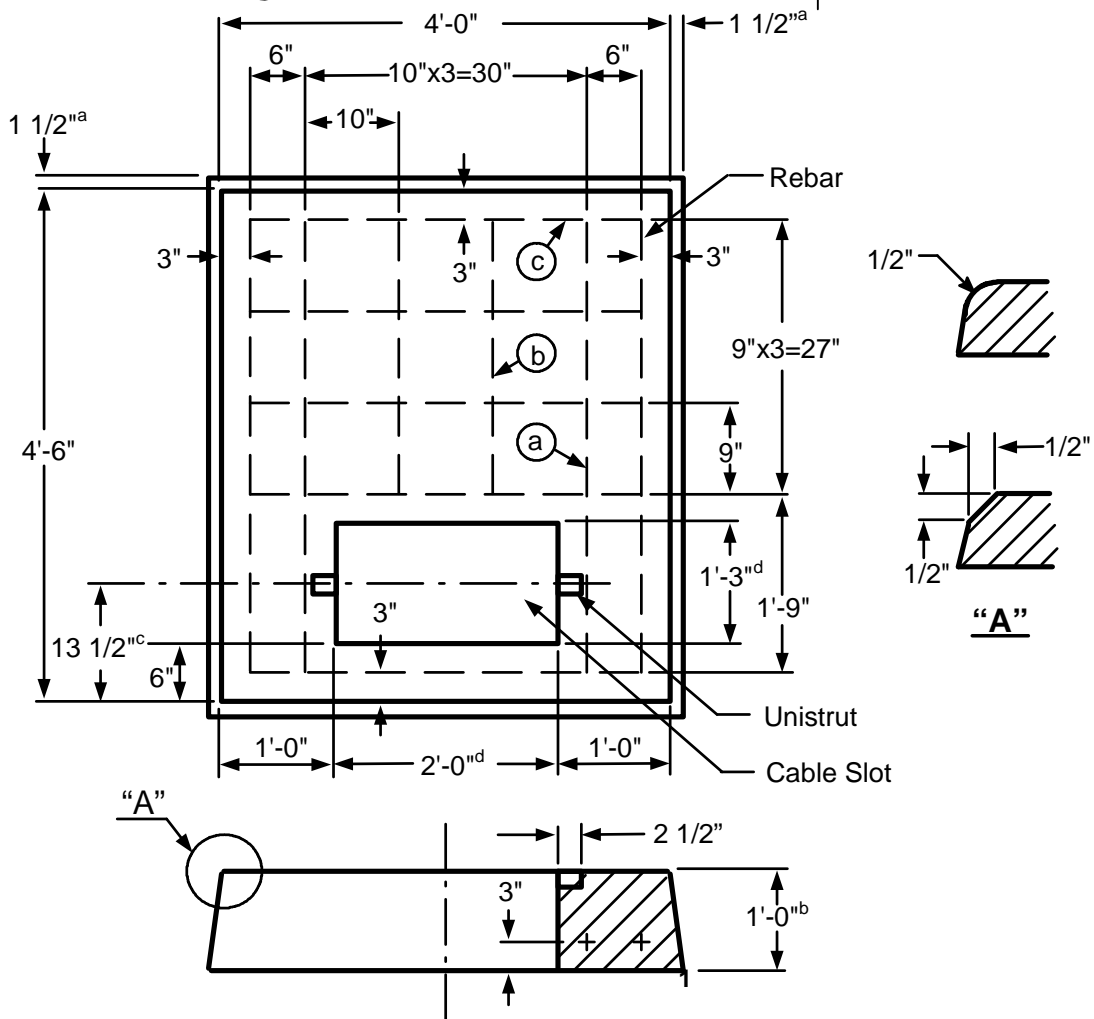
### TOLERANCES:

a = +0", -1 1/2"  
 b = +1/4", -0"  
 c = +1/2", -1/2"  
 d = +1/2", -0"

### REBAR SCHEDULE:

Ⓐ = 4 ea. 48"  
 Ⓑ = 2 ea. 27"  
 Ⓒ = 5 ea. 42"

APPROVED STRUCTURE	
MANUFACTURER	PAD
Jensen Precast	J-RS-13
Olson Precast	O-RS-13



## RS-13, RS-19, AND RS-28 TRANSFORMER PADS

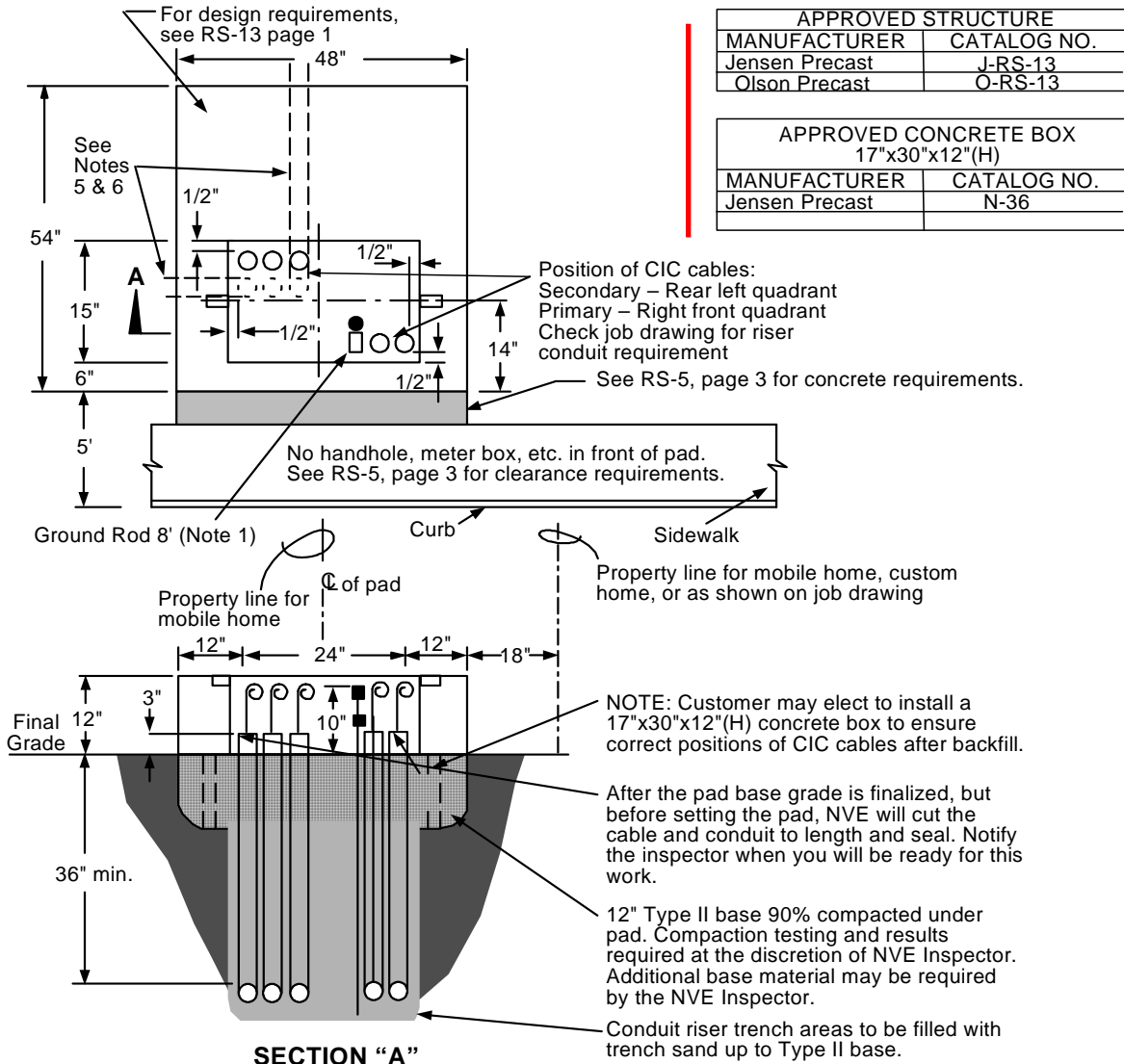
### NOTES:

1. Rebar shall be a minimum #4 and placed into the above drawing according to the rebar schedules.
2. Pad unistruts shall be hot dip galvanized steel type P2000HG x 2-1/2".
3. Pad cable slot shall be 15" x 24".
4. Pad shall meet RS-G2 and RS-G3.

				Electric Service Requirements		RS-13
				Residential Transformer Pad: One 1 Ph, 12 or 25kV, Phase to Neutral		
Drawn:	Eng:	Appr:	Date:			Revision: 2B
JR	RD	DA	7/15			Page 1 of 2

# Equipment Pads

## INSTALLATION REQUIREMENTS



APPROVED STRUCTURE	
MANUFACTURER	CATALOG NO.
Jensen Precast	J-RS-13
Olson Precast	O-RS-13

APPROVED CONCRETE BOX 17"x30"x12"(H)	
MANUFACTURER	CATALOG NO.
Jensen Precast	N-36

### NOTES:

- Ground rod per UT-113 or UT-213 by NVE. (Qty. 1 – 1/2" x 8' Rod)
- Grounding in accordance with the latest edition/revision of the NESC.
- For additional location and clearance requirements to other structures, see RS-5.
- Retaining wall required when grade from bottom of pad rises or lowers more than 1' in 5' horizontally.
- Telephone and cable TV ground wires and clamps shall be installed by them.
- 3" stubouts must be installed for future homes. Stubouts must clear pad by 6". Depth marker must be installed to locate 3" stubout.
- 4" DB 60 PVC for 500 kcmil triplex, if required.
- Stubouts for future services must be placed in front of other services.
- The top of the pad shall be leveled and must clear the final grade by 12".

				Electric Service Requirements		RS-13
				<b>Residential Transformer Pad: One 1 Ph, 12 or 25kV, Phase to Neutral</b>		
Drawn:	Eng:	Appr:	Date:			Revision: 2B
JR	RD	DA	7/15			Page 2 of 2