

Equipment Pads

DESIGN REQUIREMENTS

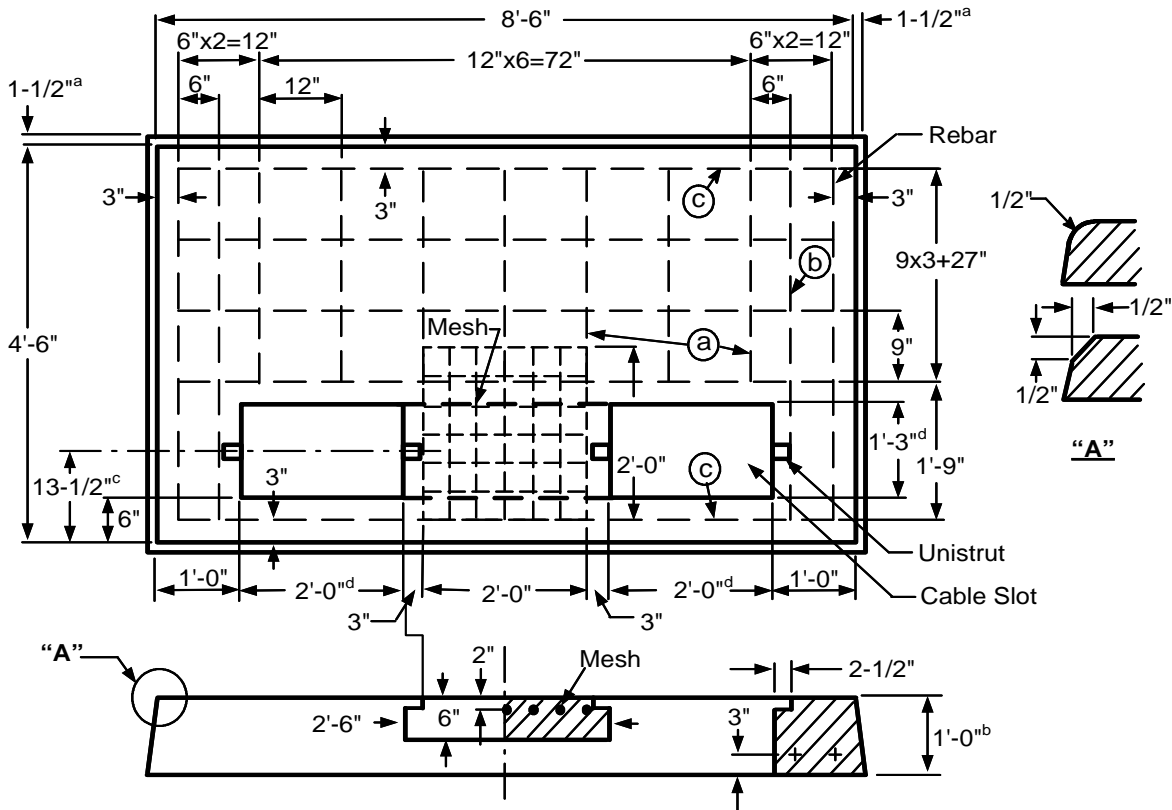
TOLERANCES:

a = +0", -1 1/2"
 b = +1/4", -0"
 c = +1/2", -1/2"
 d = +1/2", -0"

REBAR SCHEDULE:

Ⓐ = 7 ea. 27"
 Ⓑ = 4 ea. 48"
 Ⓒ = 5 ea. 96"

APPROVED STRUCTURE	
MANUFACTURER	PAD
Jensen Precast	J-RS-14



RS-14 AND RS-20 TRANSFORMER PADS

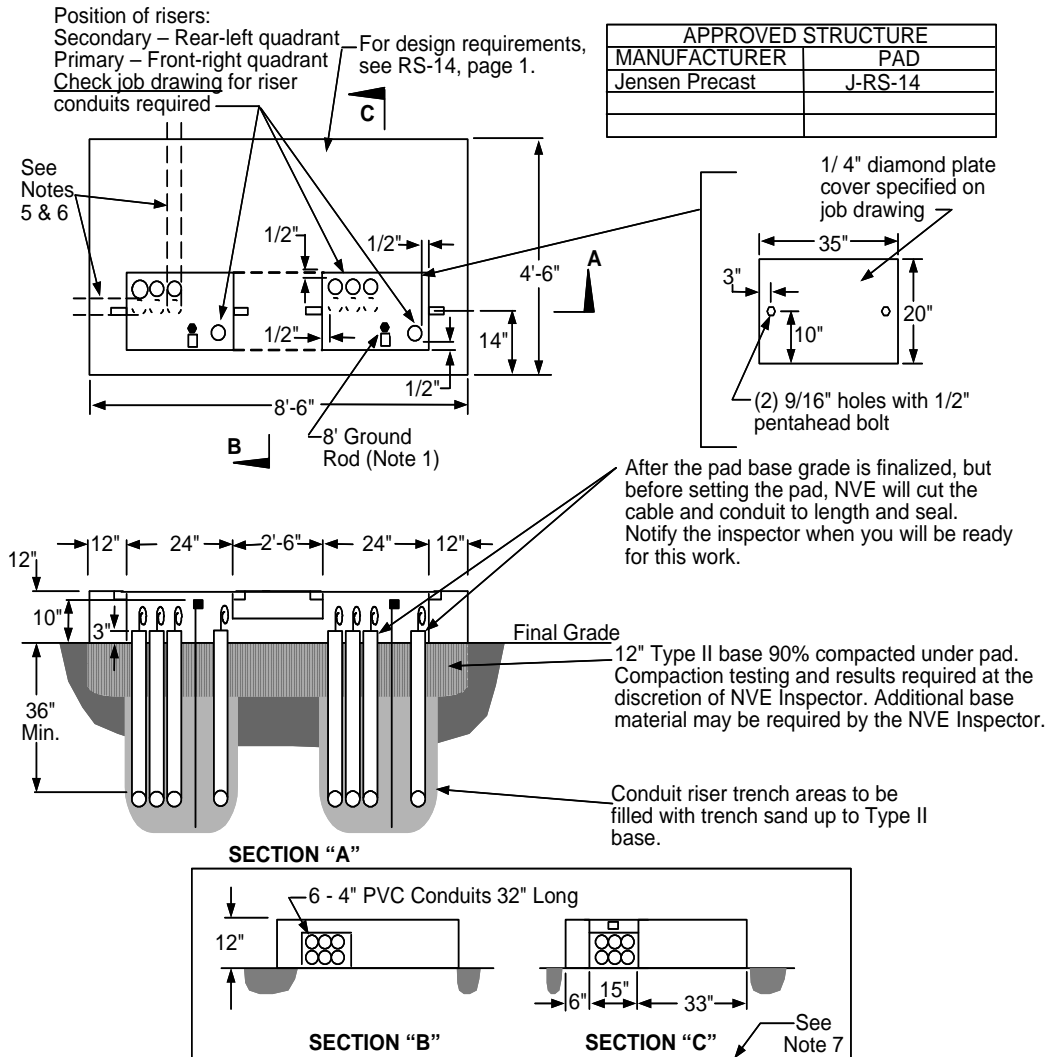
NOTES:

1. Rebar shall be a minimum #4 and placed according to the rebar schedules.
2. Mesh shall be welded wire fabric 4x4 – W4.0 x W4.0 and 2' – 0" x 2' – 0" square and placed between the two cable slots per above drawing.
3. Pad shall be two Unistruts hot dip galvanized steel type P2000HG x 2 – 1/2".
4. Pad cable slot shall be two 15" x 24" with a connecting 15" x 6" channel between them.
5. Pad shall meet RS-G2 and RS-G3.

				Electric Service Requirements		RS-14
				Residential Transformer Pad: Two 1 Ph, 12 or 25kV, Phase to Neutral		
Drawn:	Eng:	Appr:	Date:	Revision: 04		Page 1 of 2
SM	JR	DA	02/18			

Equipment Pads

INSTALLATION REQUIREMENTS



NOTES:

- Ground rod per UT-114 or UT-214 by NVE. (Qty. 2 – 1/2" x 8' Rod)
- Grounding in accordance with the latest edition/revision of the NESC.
- For additional location and clearance requirements to other structures, see RS-5.
- Retaining wall required when grade from bottom of pad rises or lowers more than 1' in 5' horizontally.
- Telephone and cable TV ground wires and clamps shall be installed by them.
- 3" stubouts must be installed for future homes. Stubouts must clear pad by 6". Depth marker must be installed to locate 3" stubout.
- 4" DB PVC for 500 kcmil triplex, if required.
- Both sections "B" and "C" are pour-in-place pads only.
- Stubouts for future services must be placed in front of other services.
- The top of the pad shall be leveled and must clear the final grade by 12".

				Electric Service Requirements		RS-14
				Residential Transformer Pad: Two 1 Ph, 12 or 25kV, Phase to Neutral		
Drawn:	Eng:	Appr:	Date:	Revision: 04		Page 2 of 2
SM	JR	DA	02/18			