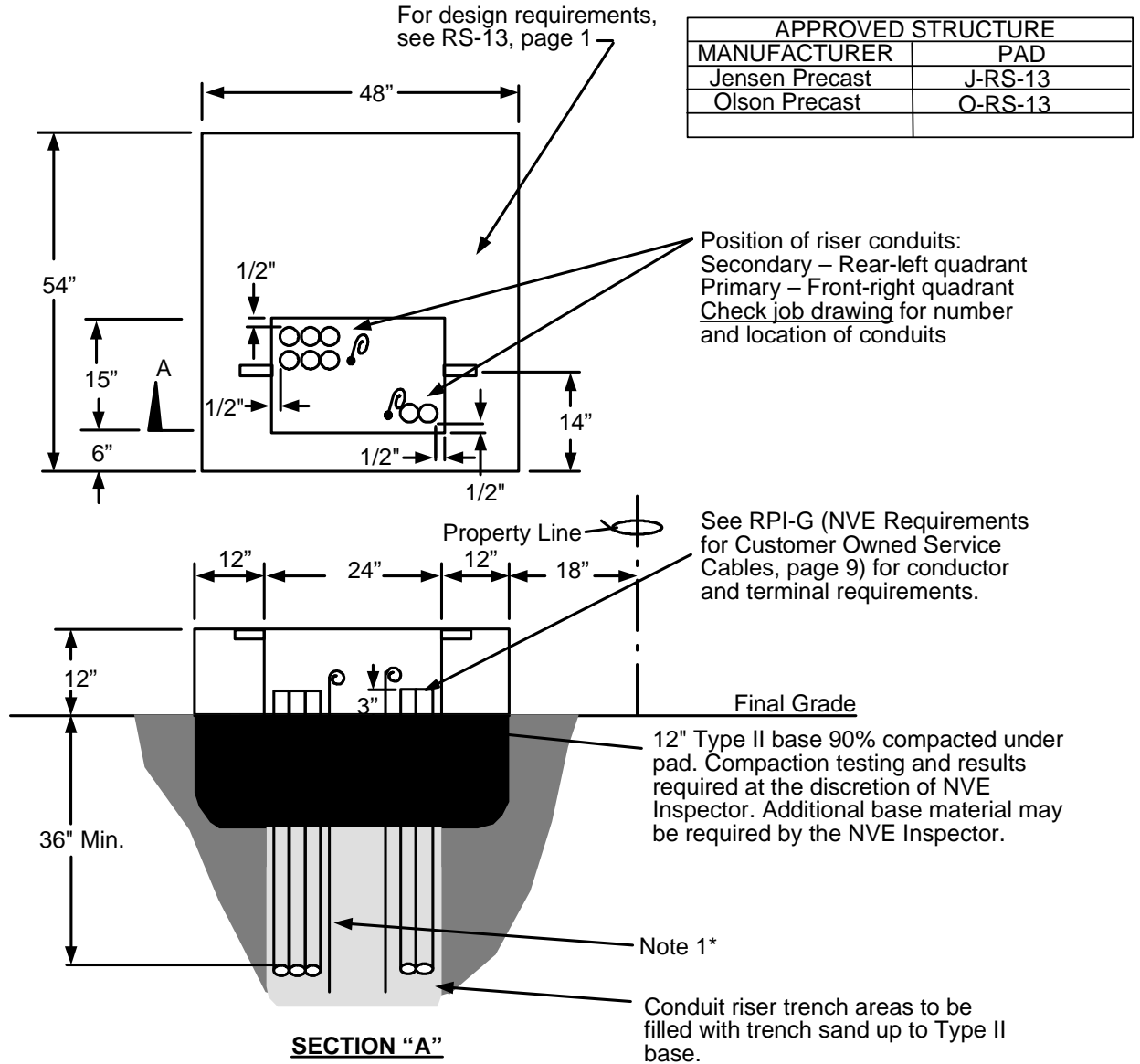


Equipment Pads

INSTALLATION REQUIREMENTS




NOTES:

1. Grounding by customer shall be 2-50' #2 stranded bare copper ground wires laid in the bottom of the conduit trench in opposite directions with 2-5' tails in the pad opening.
2. For location and clearances to other structures, see: RS-5.
3. Retaining wall required when grade from bottom of pad rises or lowers more than 1' in 5' horizontally
4. Only at the discretion of NVE's inspectors, a 1/2"x8' copper ground rod can be installed.

*Grounding in accordance with the latest edition/revision of the NESC.

| | | | | |
|--|---|--|--|-----------------------------|
| | Electric Service Requirements | | | RS-19 |
| | Commercial Transformer Pad: One 1Ph, 12 or 25kV | | | |
| Drawn: JR Eng: RD Appr: DA Date: 8/15 | | | | Revision: 2A Page 1 of 2 |

THIS PAGE INTENTIONALLY LEFT BLANK

| | | | | |
|---|--|-------|-------|--------------|
|  | Electric Service Requirements | | | RS-19 |
| | Commercial Transformer Pad: One 1Ph, 12 or 25kV | | | |
| Drawn: | Eng: | Appr: | Date: | Revision: 2A |
| JR | RD | DA | 8/15 | Page 2 of 2 |