

Equipment Pads

DESIGN REQUIREMENTS

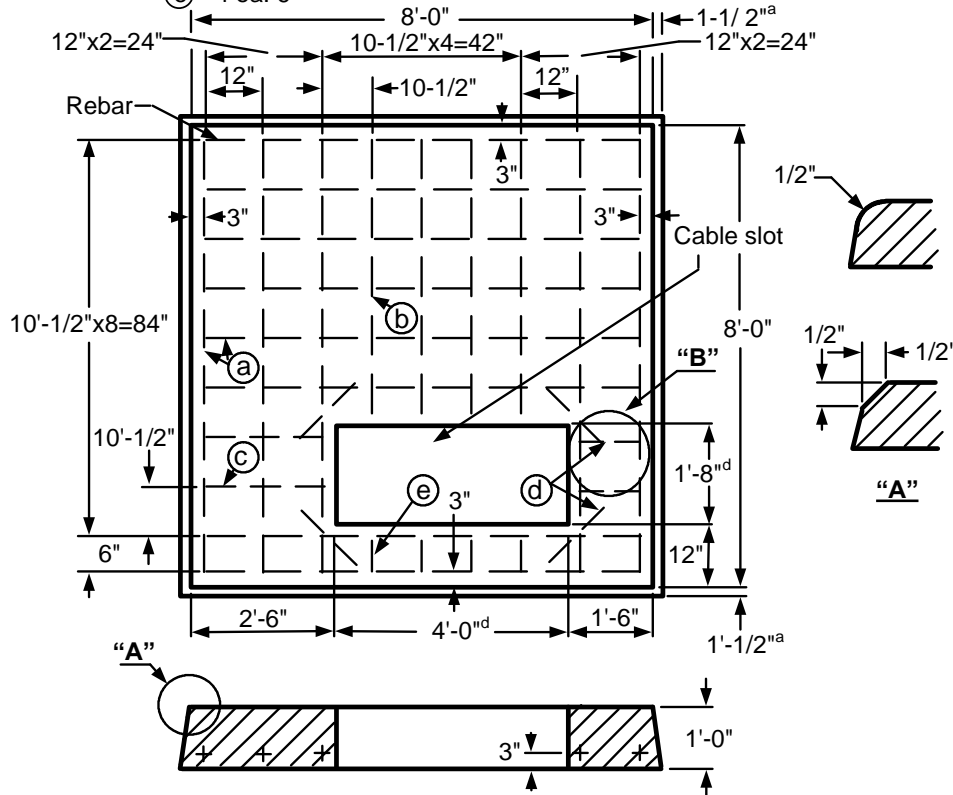
TOLERANCES:

a = +0", -1-1/2"
 b = +1/4", -0"
 c = +0", -1/4"
 d = +1/2", -0"

REBAR SCHEDULE:

(a) = 13 ea. 90"
 (b) = 4 ea. 58"
 (c) = 2 ea. 24"
 (d) = 6 ea. 12"
 (e) = 4 ea. 6"

APPROVED PADS	
MANUFACTURER	PAD
Jensen Precast	J-RS-35

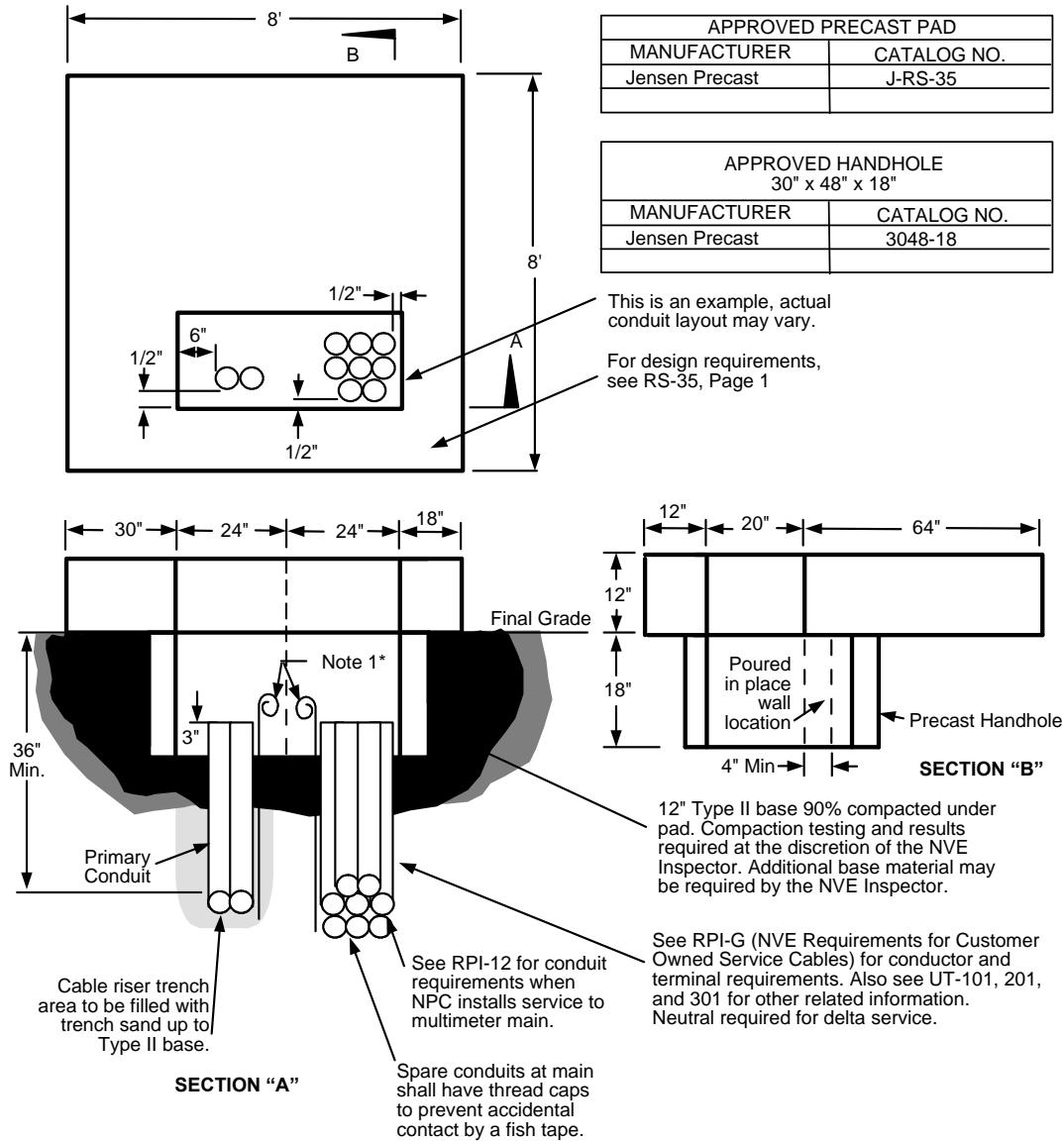


RS-35, RS-40, AND RS-41 TRANSFORMER PADS

1. Rebar
 - A. Minimum #4
 - B. Placed into the above drawing according to the rebar schedule.
2. Pad
 - A. A 20" x 48" cable slot.
 - B. Shall meet RS-G2 and RS-G3.
3. Only the RSI-36 Pad
 - A. Two 2-1/2" x 2-1/2" x 1/4" min. x 66" hot dip galvanized steel angle.
 - B. A 1" diameter PVC ell with a minimum radius of 5-3/4".
 - C. A 1" diameter PVC coupling.

	Electric Service Requirements			RS-35
	Transformer Pad: 3 Ph, 12/25KV 75-300KVA @208V, 75-750KVA @480V			
Drawn:	Eng:	Appr:	Date:	Revision: 3
GV	JR	DA	04/18	Page 1 of 2

INSTALLATION REQUIREMENTS



NOTES:

1. Grounding by customer shall be 2-50' #2 stranded bare copper ground wires laid in the bottom of the conduit trench in opposite directions with 2-5' tails in the pad opening.
 2. For location and clearances to other structures, see RS-5.
 3. Retaining wall required when grade from bottom of pad rises or lowers more than 1' in 5' horizontally.
 4. All secondary conduits shall be located within 24" of the right side of the pad opening. The maximum number of secondary conduits can be up to 20.
 5. The top of the pad shall be leveled and must clear the final grade by 12".
- * Only at the discretion of NVE's inspectors and T&D Standards, a 1/2"x8' copper ground rod can be installed in accordance with the latest edition/revision of the NESC.

				Electric Service Requirements		RS-35
				Transformer Pad: 3 Ph, 12/25KV 75-300KVA @208V, 75-750KVA @480V		
Drawn:	Eng:	Appr:	Date:			Revision: 3
GV	JR	DA	04/18			Page 2 of 2