

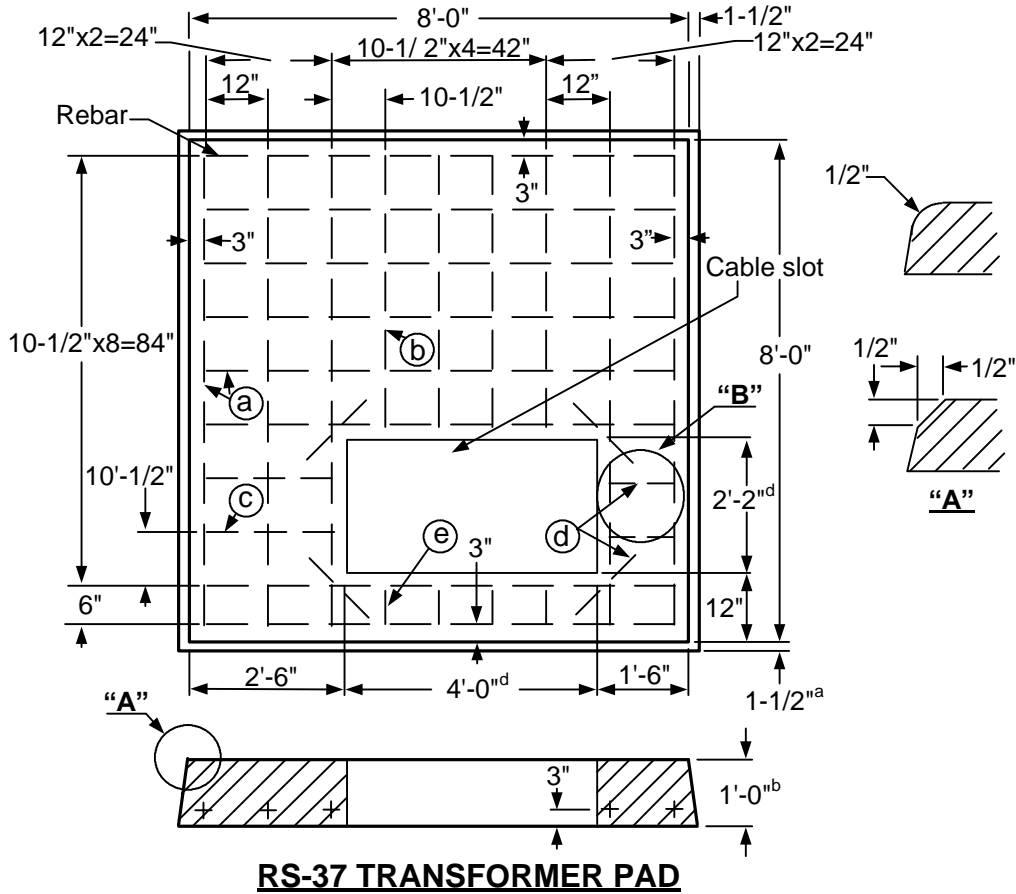
# Equipment Pads

## DESIGN REQUIREMENTS

### TOLERANCES: REBAR SCHEDULE:

- a = +0", -1-1/2"  
 b = +1/4", -0"  
 c = +0", -1/4"  
 d = +1/2", -0"
- (a) = 13 ea. 90"  
 (b) = 4 ea. 53"  
 (c) = 2 ea. 24"  
 (d) = 6 ea. 12"  
 (e) = 4 ea. 6"

APPROVED PADS	
MANUFACTURER	PAD
Jensen Precast	J-RS-37

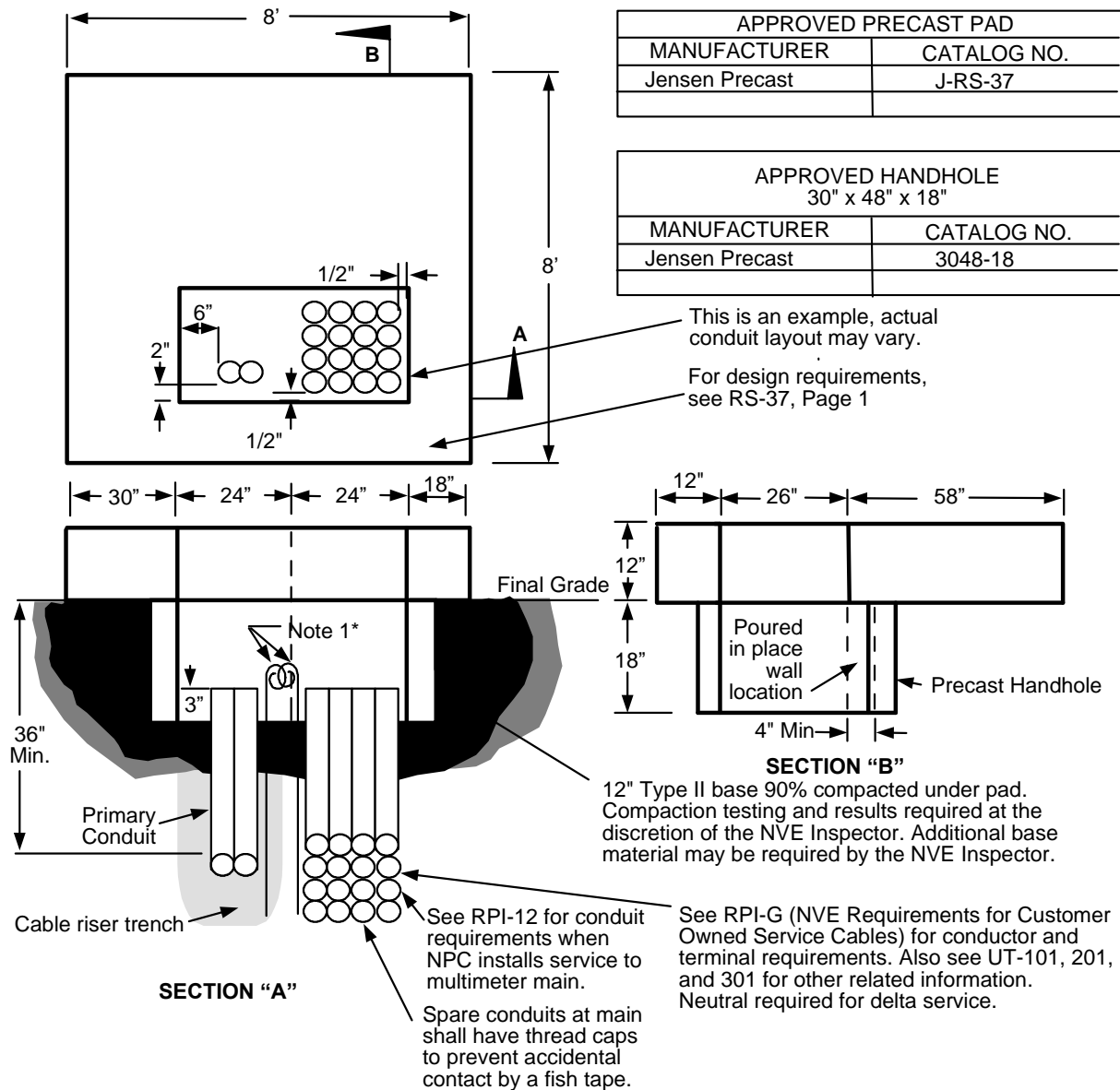


1. Rebar
  - A. Minimum #4
  - B. Placed into the above drawing according to the rebar schedule.
2. Pad
  - A. A 26" x 48" cable slot.
  - B. Shall meet RS-G2 and RS-G3.
3. Only the RSI-39 Pad
  - A. Two 2-1/2" x 2-1/2" x 1/4" min. x 66" hot dip galvanized steel angle.
  - B. A 1" diameter PVC ell with a minimum radius 5-3/4".
  - C. A 1" diameter PVC coupling.

	Electric Service Requirements			<b>RS-37</b>
	<b>Transformer Pad:</b> <b>3 Ph, 12/25KV 500-1000KVA@208V,</b> <b>1000-2500KVA@480V</b>			
Drawn:	Eng:	Appr:	Date:	Revision: 4
BF	JR	DA	6/18	Page 1 of 2

# Equipment Pads

## INSTALLATION REQUIREMENTS



### NOTES:

- Grounding by customer shall be 2-50' #2 stranded bare copper ground wires laid in the bottom of the trench in opposite directions with 2-5' tails in the pad opening.
  - For location and clearances to other structures, see RS-5.
  - Retaining wall required when grade from bottom of pad rises or lowers more than 1' in 5' horizontally.
  - All secondary conduits shall be located within 24" of the right side of the pad opening. The maximum number of secondary conduits can be up to 20.
  - The top of the pad shall be leveled and must clear the final grade by 12".
- \* Only at the discretion of NVE's inspectors and T&D Standards, a 1/2"x8' copper ground rod can be installed in accordance with the latest edition/revision of the NESC.

				Electric Service Requirements		RS-37
				<b>Transformer Pad:</b> <b>3 Ph, 12/25KV 500-1000KVA@208V,</b> <b>1000-2500KVA@480V</b>		
Drawn:	Eng:	Appr:	Date:			Revision: 4
BF	JR	DA	6/18			Page 2 of 2