

Equipment Pads

DESIGN REQUIREMENTS

TOLERANCES:

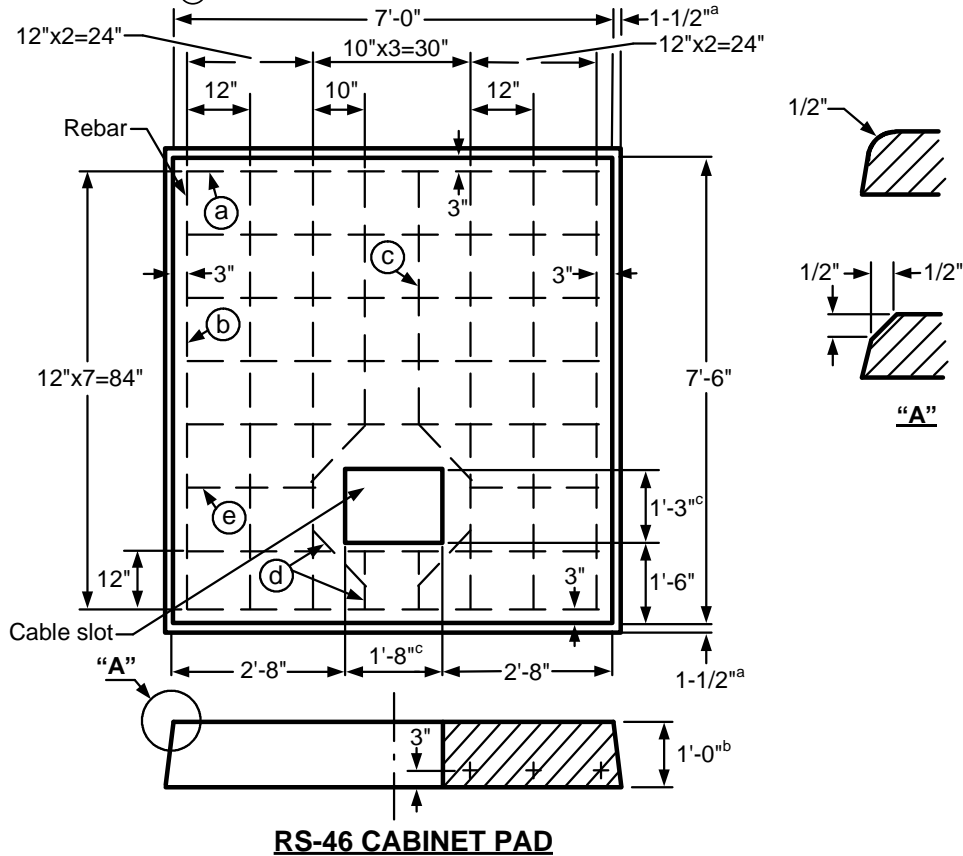
a = +0", -1-1/2"
 b = +1/4", -0"
 c = +1/2", -0"

REBAR SCHEDULE:

(a) = 7 ea. 78"
 (b) = 6 ea. 84"
 (c) = 2 ea. 48"
 (d) = 6 ea. 12"
 (e) = 2 ea. 24"

APPROVED PADS

MANUFACTURER	PAD
Jensen Precast	J-RS-46
Olson Precast	O-RS-46



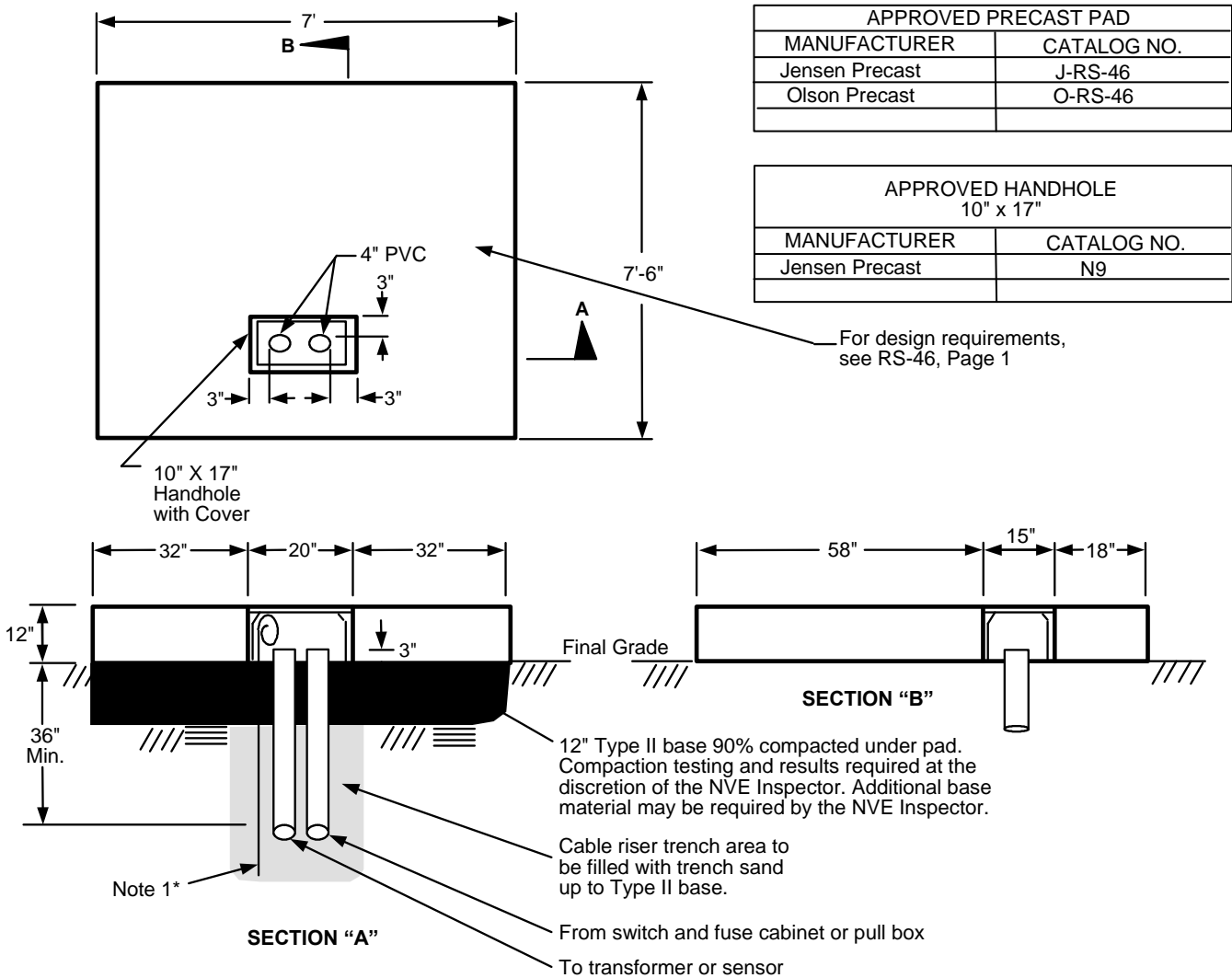
RS-46 CABINET PAD

1. Rebar
 - A. Minimum #4
 - B. Placed into the above drawing according to the rebar schedule.
2. Pad
 - A. A 15" x 20" cable slot.
 - B. Shall meet RS-G2 and RS-G3.

				Electric Service Requirements		RS-46
				Cabinet Pad (15 & 25kV): Fuse/Meter and 12kV Capacitor Bank Pad		
Drawn:	Eng:	Appr:	Date:	Revision: 2C		Page 1 of 2
JR	RD	DA	8/15			


Equipment Pads

INSTALLATION REQUIREMENTS



NOTES:

1. Grounding by customer shall be 2-50' #2 stranded bare copper ground wires laid in the bottom of the conduit trench in opposite directions with 2-5' tails in the pad opening.
 2. For location and clearances to other structures, see: RS-5.
 3. Retaining wall required when grade from bottom of pad rises or lowers more than 1' in 5' horizontally.
 4. All secondary conduits shall be located within 24" of the right side of the pad opening.
 5. The top of the pad shall be leveled and must clear the final grade by 12".
- * Only at the discretion of NVE's inspectors, a 1/2" x 8' copper ground rod can be installed in accordance with the latest edition/revision of the NESC.

				Electric Service Requirements		RS-46
				Cabinet Pad (15 & 25kV): Fuse/Meter and 12kV Capacitor Bank Pad		
Drawn:	Eng:	Appr:	Date:			Revision: 2C
JR	RD	DA	8/15			Page 2 of 2