

DESIGN REQUIREMENTS

TOLERANCES:

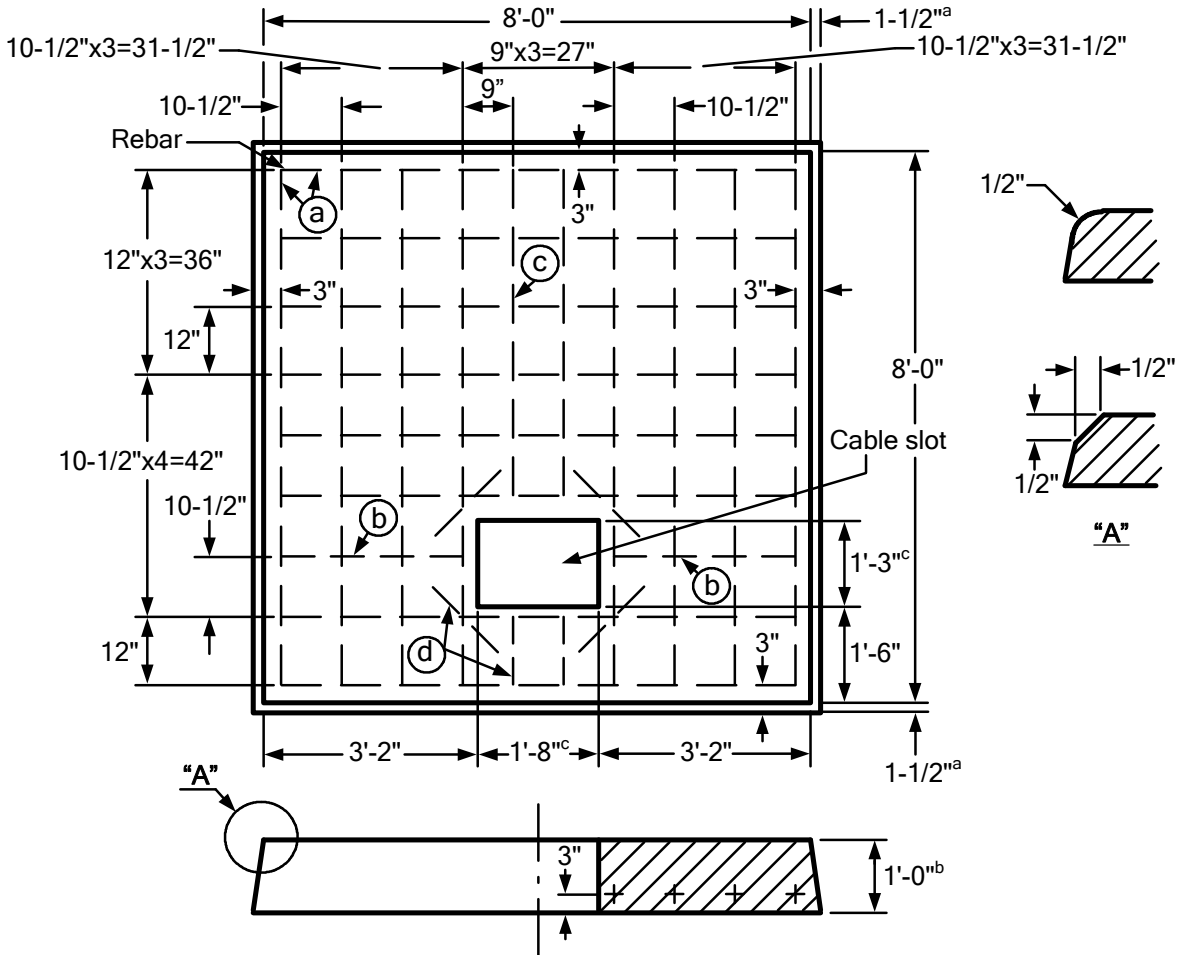
a = +0", -1-1/2"
 b = +1/4", -0"
 c = +1/2", -0"

REBAR SCHEDULE:

(a) = 16 ea. 90"
 (b) = 2 ea. 32"
 (c) = 2 ea. 57"
 (d) = 6 ea. 12"

APPROVED PADS

MANUFACTURER	PAD
Jensen Precast	J-RS-58



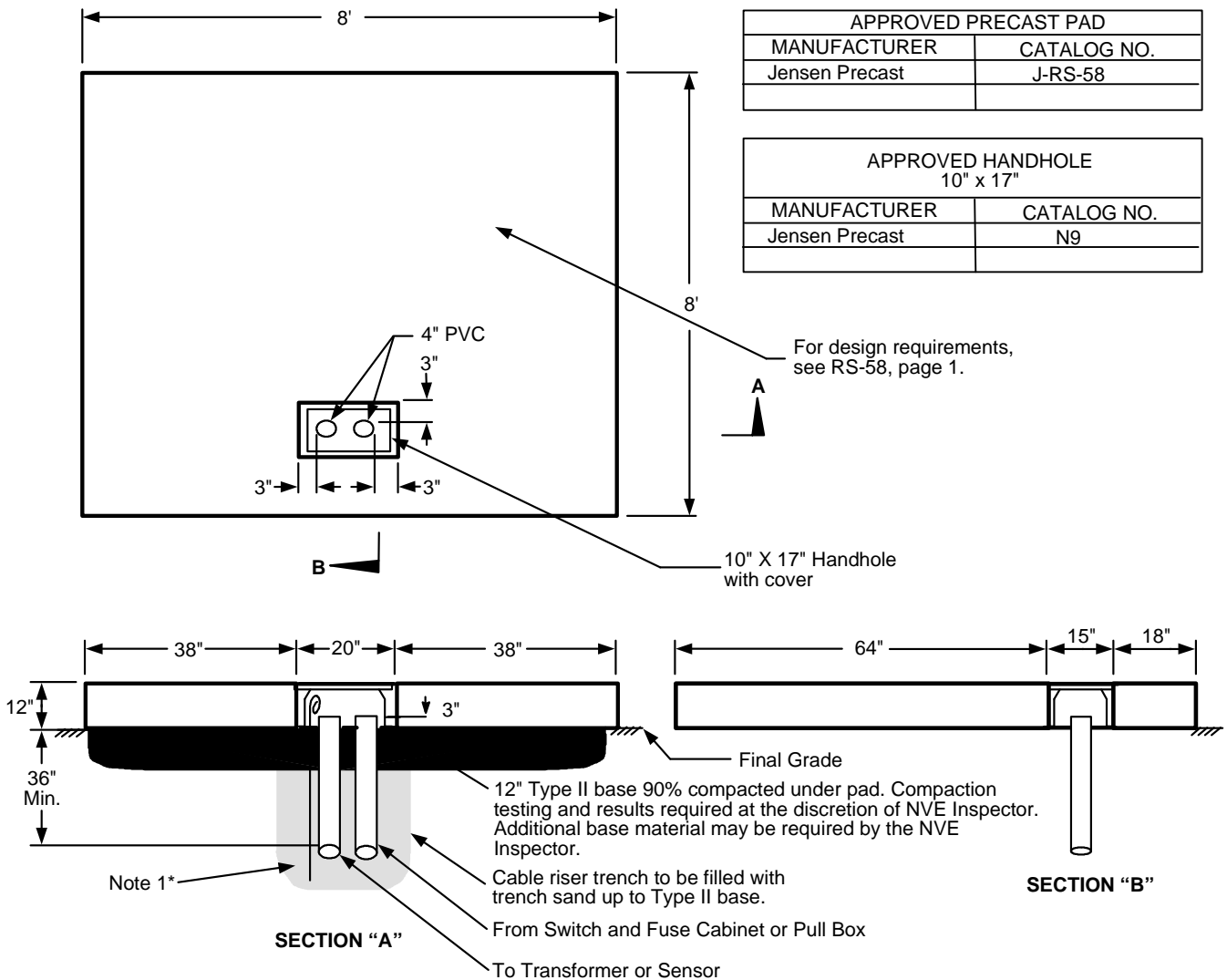
RS-58 CABINET PAD

1. Rebar
 - A. Minimum #4
 - B. Placed into the above drawing according to the rebar schedule.
2. Pad
 - A. A 15" x 20" cable slot.
 - B. Shall meet RS-G2 and RS-G3.

				Electric Service Requirements		RS-58
				Cabinet Pad: Capacitor Bank, 25kV		
Drawn:	Eng:	Appr:	Date:			Revision: 2A
JR	RD	DA	9/15			Page 1 of 2

Equipment Pads

INSTALLATION REQUIREMENTS



NOTES:

- Grounding by customer shall be 2-50' #2 stranded bare copper ground wires in the bottom of the conduit trench in opposite directions with 2-5' tails in the pad opening.
 - For location and clearances to other structures, see RS-5.
 - Retaining wall required when grade from bottom of pad rises or lowers more than 1' in 5' horizontally
 - All secondary conduits shall be located within 24" of the right side of the pad.
 - The top of the pad shall be leveled and must clear the final grade by 12".
- * Only at the discretion of NVE's inspectors, a 1/2"x8' copper ground rod can be installed in accordance with the 2012 NESC C2-2012 Section 9, Grounding Methods for Electric Supply and Communications Facilities or latest version.

				Electric Service Requirements		RS-58
				Cabinet Pad: Capacitor Bank, 25kV		
Drawn:	Eng:	Appr:	Date:			Revision: 2A
JR	RD	DA	9/15			Page 2 of 2