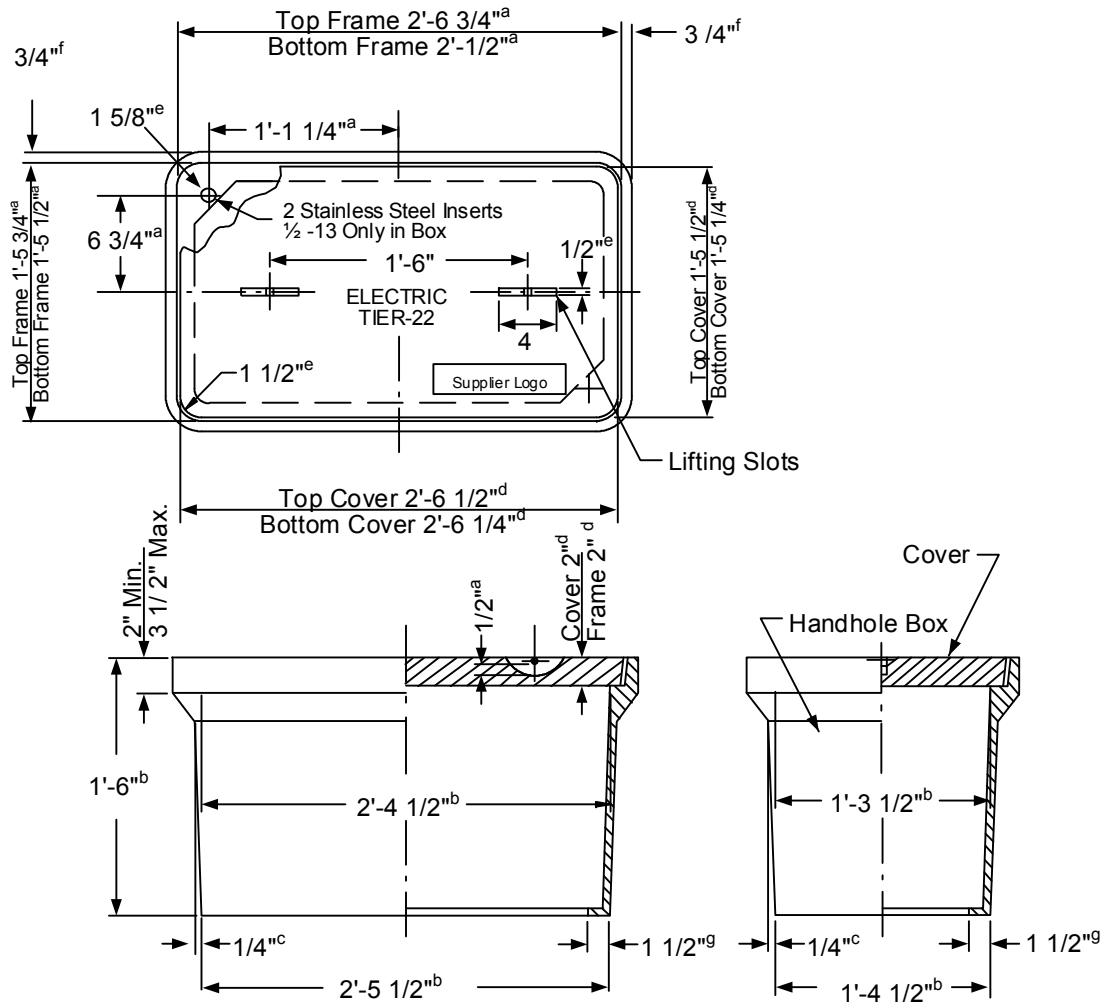


DESIGN REQUIREMENTS

**TOLERANCES:**

- a = +1/16", -1/16"
- b = +1/2", -1/2"
- c = +1/8", -1/4"
- d = +1/32", -1/32"
- e = +1/16", -0"
- f = +1/4", -0"
- g = +1/2", -1/4"

APPROVED HANDHOLE		
MANUFACTURER	HANDHOLE BOX	COVER
Armorcast	A6001640PCX18	A6001947HD-NVE
Quazite	PG1730BA18J	PG1730H653
Oldcastle	17302030	17304617
Jensen Precast	100002035	100005021



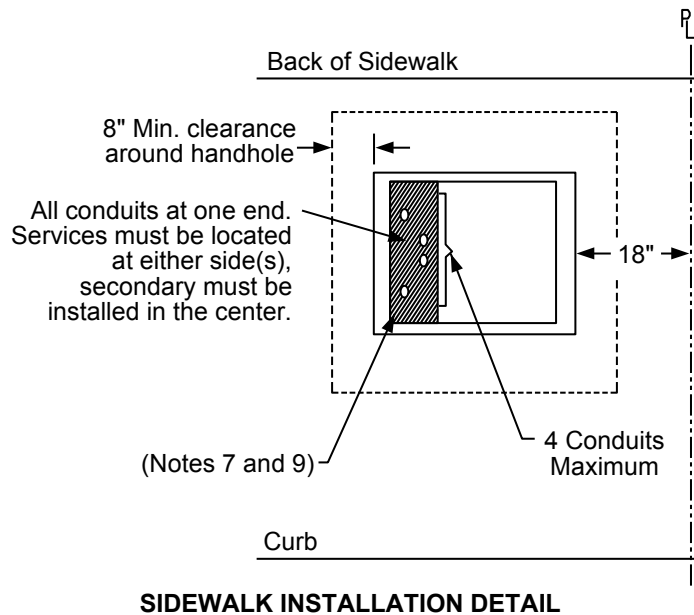
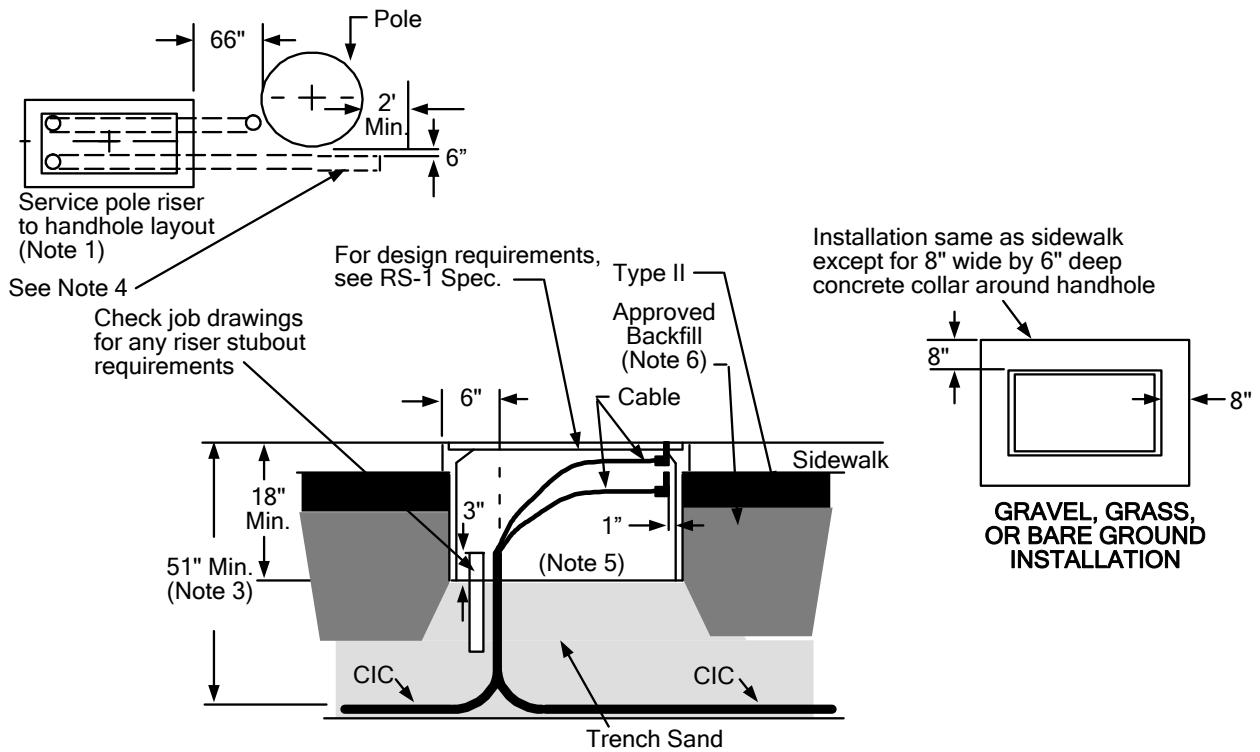
**RS-1 HANDHOLE**

**NOTES:**

- The handhole shall meet specification RS-G1.

	Electric Service Requirements			<b>RS-1</b>								
	<b>Handhole: Secondary Junction</b>											
<table border="1"> <tr> <th>Drawn:</th> <th>Eng:</th> <th>Appr:</th> <th>Date:</th> </tr> <tr> <td>GV</td> <td>RD</td> <td>DA</td> <td>05/19</td> </tr> </table>	Drawn:	Eng:	Appr:	Date:	GV	RD	DA	05/19				Revision: 4 Page 1 of 4
Drawn:	Eng:	Appr:	Date:									
GV	RD	DA	05/19									

# Vaults and Boxes




				Electric Service Requirements		<b>RS-1</b>
				<b>Handhole: Secondary Junction</b>		
Drawn:	Eng:	Appr:	Date:			Revision: 4
GV	RD	DA	05/19			Page 2 of 4

## Vaults and Boxes

---

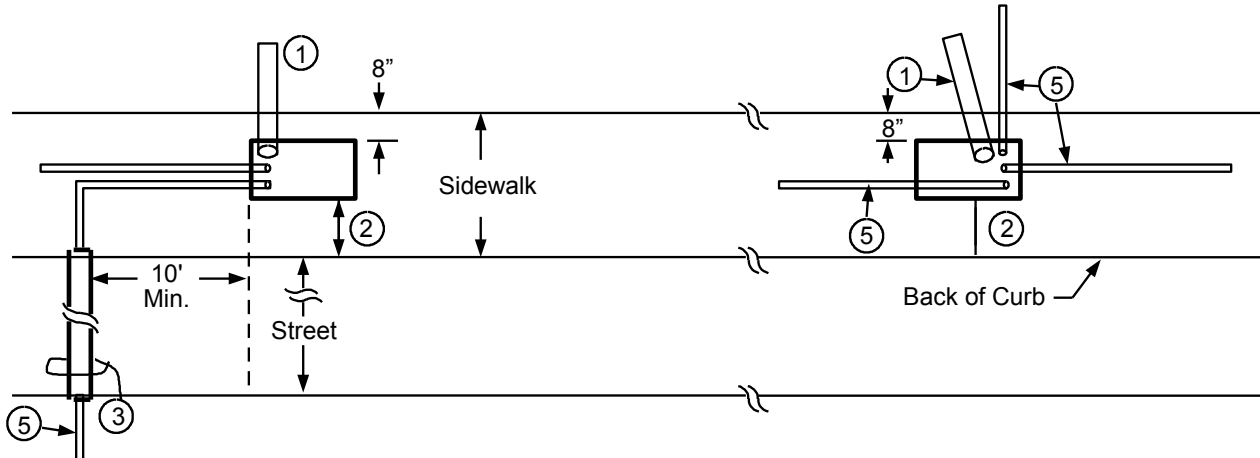
### NOTES:

1. The NVE Inspector will place a grade stripe on the pole and stake location of handhole relative to the residential service pole riser.
2. If this structure does not meet all requirements or exhibits poor workmanship, it shall be rejected by NVE.
3. 51" minimum is for the handhole only.
4. A 3" PVC stubout is required if a future residential CIC system service or a 4" stubout for commercial service will be installed. The stubout must pass adjacent to the pole as illustrated.
5. Cable must be trained and cut so that the backs of the connector blocks are a minimum of 1" from the end of handhole wall as illustrated.
6. For backfill requirements see RT-1.
7. Stubouts for future services must be placed per "Sidewalk Installation Detail".
8. There shall be a minimum 6' clearance from the handhole to the center of a fire hydrant.
9. There shall be a minimum 1" separation between conduits to facilitate the installation of debris seals.

				Electric Service Requirements		RS-1
				Handhole: Secondary Junction		
Drawn:	Eng:	Appr:	Date:	Revision: 4		
GV	RD	DA	05/19	Page 3 of 4		

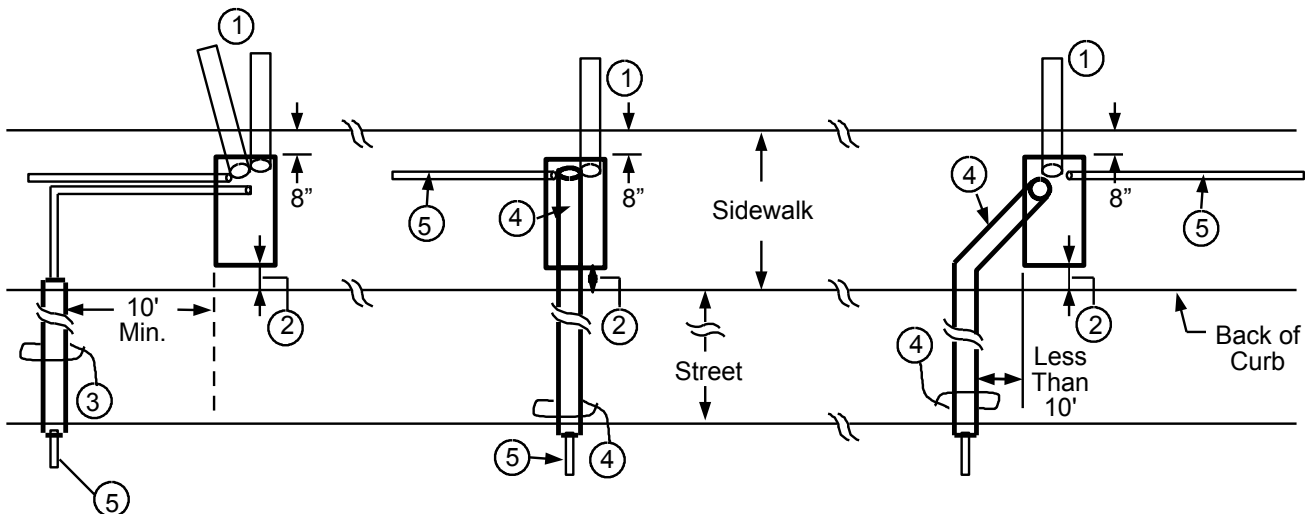
# Vaults and Boxes

## APPROVED CIC ROUTING HANDHOLE



Note: Circled numbers reference notes below

## JUNCTION BOX PLACED PARALLEL WITH 3' MINIMUM SIDEWALK




Note: Circled numbers reference notes below

## JUNCTION BOX PLACED PERPENDICULAR WITH 4' MINIMUM SIDEWALK

### NOTES:

1. If there are future services, the customer shall install a 3", 36" radius, 90° Schedule 40 PVC Bend stubout for each future CIC service. This will prevent undermining the sidewalk and dislocating the handhole.
2. There shall be a minimum of 8" of concrete around the handhole in the sidewalk.
3. If the customer installs a street crossing conduit, it shall be a 4" Schedule 40 PVC conduit for each secondary.
4. If a street crossing conduit is extended into a handhole (or a pull box), a 3", 36" radius, Schedule 40 PVC bend is required.
5. Installed secondary CIC.

				Electric Service Requirements		<b>RS-1</b>
				<b>Handhole: Secondary Junction</b>		
Drawn:	Eng:	Appr:	Date:			Revision: 4
GV	RD	DA	05/19			Page 4 of 4