

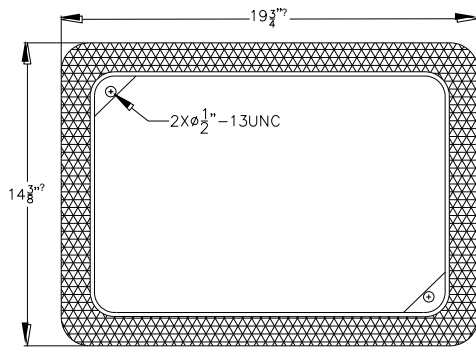
# Vaults and Boxes

## DESIGN REQUIREMENTS

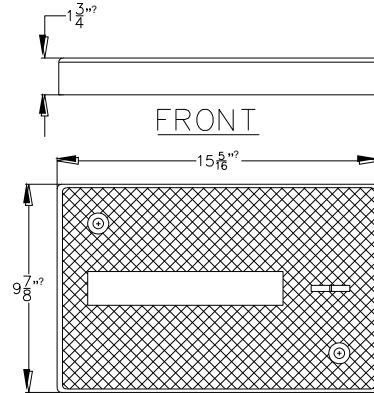
### TOLERANCES:

a = +1/2" , -1/2"  
 b = +1/16" , -1/16"  
 d = +1/32" , -1/32"

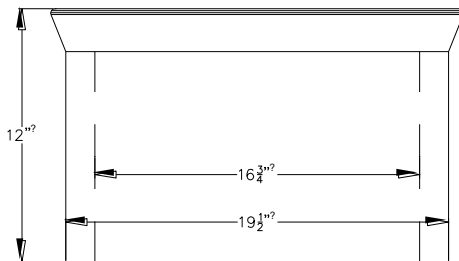
APPROVED HANDHOLE		
MANUFACTURER	HANDHOLE BOX	LID
Jensen Precast	HN1017-B	HN1017-L01



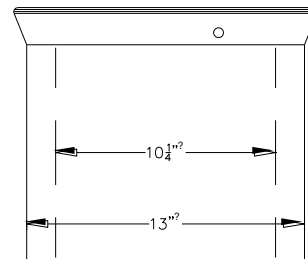
TOP



TOP



FRONT



SIDE

RS-10 HANDHOLE

				Electric Service Requirements		RS-10
				Handhole: Tracer Wire		
Drawn:	Eng:	Appr:	Date:	Revision: 0		Page 1 of 3
JR	JR	DA	05/19			

# Vaults and Boxes

---

## 1. Purpose

This specification covers the structural requirements for 10"(W) X 17"(L) X 12" (H) concrete handholes.

## 2. General

1. The handhole shall be constructed per the latest edition of the Western Underground Committee Guide 3.3 (WUCG 3.3) and ASTM C857 except as modified herein.
2. All construction work is subject to inspection and testing by NVE. If the handhole does not meet all the requirements or exhibits poor workmanship, the NVE field inspector shall reject it.
3. All parts exposed to the sun shall be made from an ultraviolet (UV) resistant material or have a UV coating.
4. Covers shall not be concave or have stiffeners at the bottom and shall weigh a minimum of 20lbs.
5. Under normal backfilling and tamping around the handhole, the box section shall not become concave or bowed.
6. Requirement 2.2 from WUCG 3.3 does not apply to handholes manufactured under this specification.

## 3. Finish

1. The handhole box wall shall be straight, free of depressions, bumps or other irregularities and have an inward flange at the base. The handhole shall be free of cracks, chips, etc.
2. The top of the cover shall be true, even, and level with a non-skid surface. Finished surface variations shall not exceed 1/32" per foot when measured with a straight edge in any direction.
3. The supplier logo and the word "ELECTRIC" shall be embossed in the top of the cover.
4. The manufacturing date (month, day, year) shall be marked on the bottom surface of the cover and inside of the box.
5. The vertical gap between the top of the box and the top of the cover shall not exceed 1/8" at any point.

## 4. Testing

1. New suppliers shall provide a test report performed by an independent laboratory. The tested handhole shall meet or exceed all requirements from the latest edition of WUCG 3.3 and ASTM C857.
2. Two handholes shall be selected randomly and tested annually for the structural requirements by a Nevada State Certified Laboratory. The supplier is responsible for finding a testing laboratory and covering all expenses. The test shall be performed in the first quarter of each year. NVE T&D Standards personnel may observe these tests.
3. A copy of the certified tests shall be sent no later than April 1<sup>st</sup> of every year to:

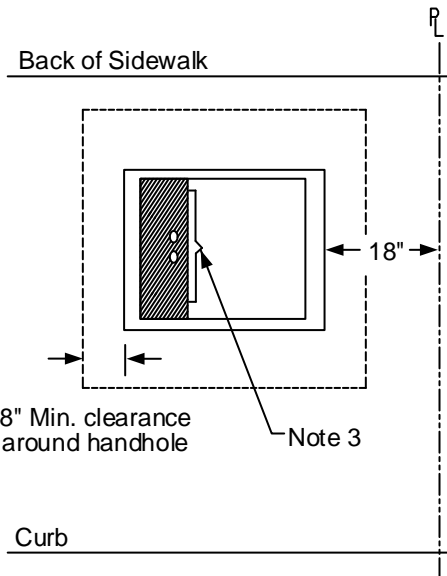
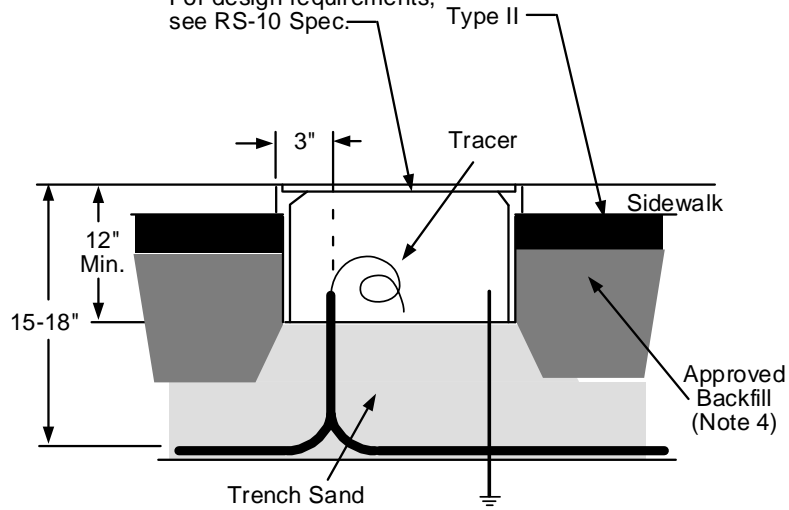
NV Energy  
T & D Standards Department  
P.O. Box 98910, M/S19  
Las Vegas, Nevada 89151-0001  
Phone: (702) 402-6541  
Fax: (702) 402-6575

				<b>Electric Service Requirements</b>		<b>RS-10</b>
				<b>Handhole: Tracer Wire</b>		
Drawn:	Eng:	Appr:	Date:			Revision: 0
JR	JR	DA	05/19			Page 2 of 3

# Vaults and Boxes

## INSTALLATION REQUIREMENTS

For design requirements, see RS-10 Spec.



## SIDEWALK INSTALLATION DETAIL

### Notes:

1. If this structure does not meet all requirements or exhibits poor workmanship, it shall be rejected by NVE.
2. There shall be a minimum 6' clearance from the handhole to the center of a fire hydrant.
3. All tracer wire shall be terminated on a single side of the box to allow adequate working space.
4. For backfill requirements, see RT-1.
5. There shall be a ground at each RS-10 location.
6. Approved tracer wire is ASTM B3 solid #12 copper with a red linear low density polyethylene jacket.

				Electric Service Requirements		<b>RS-10</b>
				<b>Handhole: Tracer Wire</b>		
Drawn:	Eng:	Appr:	Date:			Revision: 0
JR	JR	DA	05/19			Page 3 of 3