

DESIGN REQUIREMENTS

APPROVED BOXES	
MANUFACTURER	MANHOLE
JENSEN PRECAST	J-RS-80M
OLSON PRECAST	O-RS-80M

TOLERANCES:

a = +1/2" , -1/2"

b = +0" , -1"

c = +0" , -1/16"

LEGEND:

1. 1/2" BRASS INSERT
2. BOX EXTENSION
3. 2" DUCT TERMINATOR
4. SUMP PUMP RECESS
5. PULLING EYE
6. 4" TERMINATOR
7. 2 TON SWIFT LIFT
8. MASTIC
9. BOX SECTION
10. 1" PVC CONDUIT
11. 2" TERMINATOR
12. RS-80 HATCH

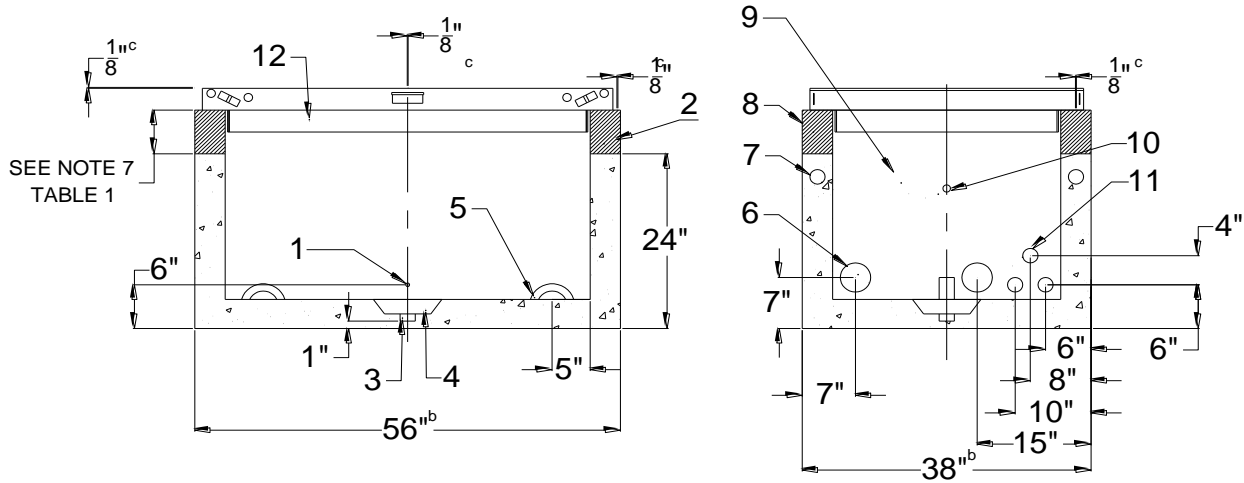


Figure 1: RS-80M SPLICE BOX

1. RS-80 HATCH

1. See RS-H for design requirements.
2. The gap between the precast structure and the lid shall be sealed with mastic or similar material approved by NVE.

2. BOX EXTENSION

1. 30" (W) X 48" (L) inside dimensions with tolerances of ± 1".

3. BOX SECTION

1. Three 2" and two 4" diameter PVC conduit terminators through each end wall.
2. One 1" diameter PVC conduit through each end wall.
3. A 9" diameter x 2" deep sump pump recess with 2" diameter Duct Terminator in the middle of the floor. Per T & D Standards, Bow Co. Industries Inc. Part # T2000 or equivalent.
4. Two steel pulling eyes in the floor.

				Electric Service Requirements		RS-80M
				Splice Box: 30"x 48"x 20" (Maintenance Only)		
Drawn:	Eng:	Appr:	Date:	Revision: 2		Page 1 of 5
BF	JR	DA	8/18			

Vaults and Boxes


5. 30" (W) x 48" (L) inside dimensions with tolerances of $\pm 1"$.
6. One $\frac{1}{2}"$ brass insert on each side wall.

4. ENTIRE STRUCTURE

1. All exposed steel shall be hot dip galvanized after fabrication, except torsion bars.
2. Torsion bars shall be spray galvanized.
3. Shall meet RS-G2 and RS-G4.
NOTE: For traffic areas (e.g., streets, roads, etc.), use the RS-83 box.
4. For other areas subject to vehicular traffic, vehicular protection barriers per RS-6 shall protect RS-80M boxes.

5. GROUNDING

The inserts shall be spaced in accordance with this specification drawing. Inserts to be attached to the internal box rebar by spot welding or approved connector. The insert shall accept $\frac{1}{2}"$ -13 UNC Thread. Continuity between all inserts installed in the box sections shall be checked and verified prior to shipping by manufacturer / supplier.

				Electric Service Requirements		RS-80M
				Splice Box: 30" x 48" x 20" (Maintenance Only)		
Drawn:	Eng:	Appr:	Date:			Revision: 2
BF	JR	DA	8/18			Page 2 of 5

6. Installation Requirements

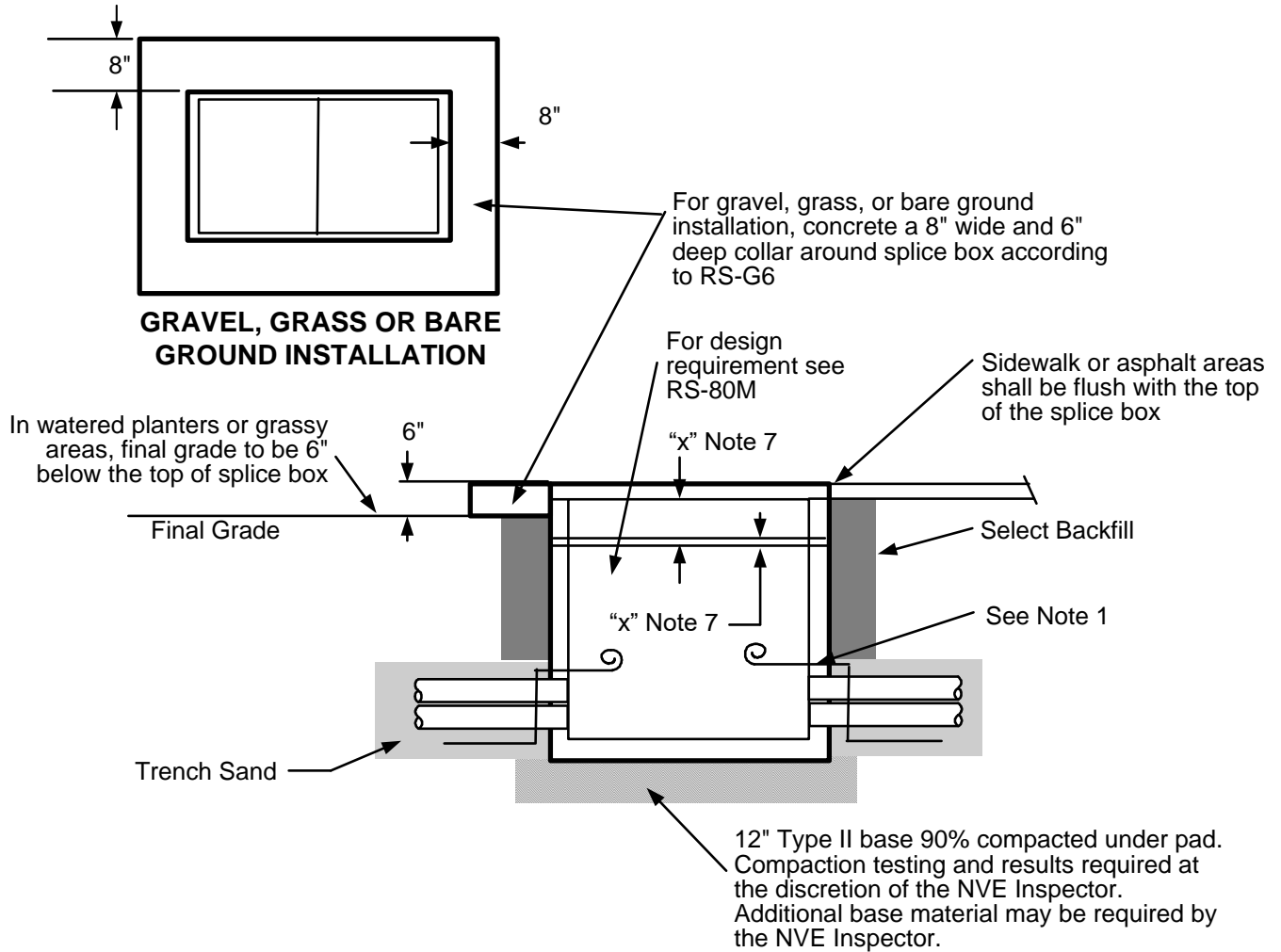



Figure 8. RS-80M Installation Requirements

NOTES:

1. Ground wires shall be installed through a 1" PVC conduit in the structures end walls. Grounding by customer shall consist of the following:
 - A. 2-50' lengths of #2-7 stranded bare copper ground wires laid in the bottom of the conduit trench in opposite directions.
 - B. An additional 5' of the ground wire will be left in the box.
 - C. No exceptions allowed.
2. This box shall be used as a splice box for primary cables (US-115) or for commercial secondary cables.
3. When this box is for commercial secondary cables, then the Designer shall specify on the construction drawing the required number of terminators and their locations.
4. If the final grade is unknown, it is preferable to make the top of the splice box too low, rather than too high.

				Electric Service Requirements		RS-80M
				Splice Box: 30" x 48" x 20" (Maintenance Only)		
Drawn:	Eng:	Appr:	Date:			Revision: 2
BF	JR	DA	8/18			Page 3 of 5


Vaults and Boxes

5. The bottom surface of the box shall be level.
6. If the ground water level is at least 3' below the bottom of the splice box, the 2" diameter knockout in the sump pump recess shall be removed.
7. All new installations to be set to final grade. Grade changes prior to cable installation will require the box to be raised or lowered. If any final grade adjustments are required after the cable is pulled, take the actions listed in Table 1.

Table 1. Adjustment Requirements

Adjustment	Action
-6" to +5"	NVE contractor shall exchange existing 12" extension with 6" to 17" high extension ordered from the original manufacturer.
+6" to +12"	NVE contractor may order an additional 6" to 12" height extension from original manufacturer.
Below -6" & above 12"	Any extension shorter than 6" or exceeding 12" in height shall be subject to T&D Standards department approval.

8. This box shall be installed in non-traffic areas only.
NOTE: For traffic areas (e.g., streets, roads, etc.) use the RS-83 box
9. There shall be a minimum 6' clearance from the RS-80M box to the centerline of a fire hydrant.
10. Retaining wall required when grade from the top of the lid rises or lowers more than 1' in 5' horizontally or when required by developer as perimeter wall.
11. NV Energy lineman shall install # 2 bare copper bus to grounding inserts and attach all bonding wires.

				Electric Service Requirements		RS-80M
				Splice Box: 30" x 48" x 20" (Maintenance Only)		
Drawn:	Eng:	Appr:	Date:			Revision: 2
BF	JR	DA	8/18			Page 4 of 5

THIS PAGE INTENTIONALLY LEFT BLANK

				Electric Service Requirements		RS-80M
				Splice Box: 30" x 48" x 20" (Maintenance Only)		
Drawn:	Eng:	Appr:	Date:	Revision: 2		
BF	JR	DA	8/18	Page 5 of 5		