

DESIGN REQUIREMENTS – MAINTENANCE ONLY

APPROVED PULL BOXES		
Manufacturer	Regular	Intercept
Jensen Precast	J-RS-81	J-RS-81-I

**TOLERANCES:**

a = +1/2" , -1/2"

b = +0" , -1"

c = +0" , -1/16"

**LEGEND:**

1. BOX EXTENSION
2. UNISTRUT
3. MOLDED KNOCKOUT
4. SUMP PUMP RECESS
5. PULLING EYE
6. 6" TERMINATOR
7. 4" TERMINATOR
8. BOX SECTION
9. 1" PVC CONDUIT
10. MASTIC
11. RS-81A HATCH

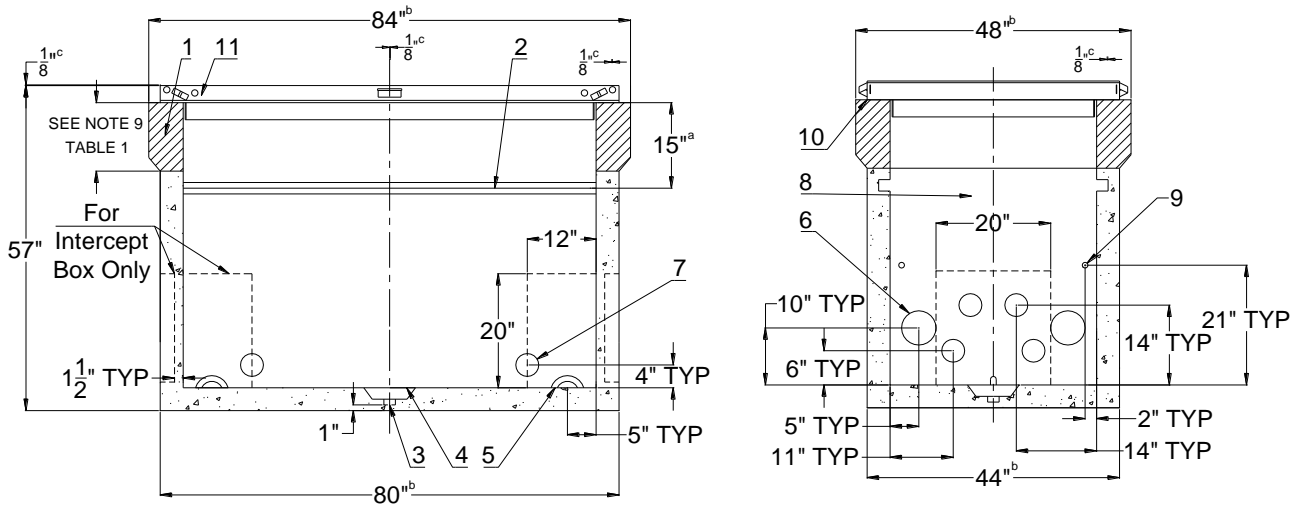


Figure 1. RS-81 Regular or Intercept Box

**1. RS-81A HATCH**

1. See RS-H for design requirements.
2. The gap between the precast structure and the lid shall be sealed with mastic or similar material approved by NVE (see Figure 1).

**2. BOX EXTENSION**

2. 36" (W) x 72" (L) inside dimensions with tolerances of ±1".

**3. BOX SECTION**

1. Two 6", four 4" and two 1" diameter PVC conduit terminators through each end wall (or two 20" square knockouts in the end walls).
2. Two 4" diameter PVC conduit terminators through each side wall (or two 12" x 20" knockouts).
3. Two steel pulling eyes in the floor.
4. A 9" diameter x 2" deep sump pump recess with 2" diameter knockout in the middle of the floor.

	Electric Service Requirements			RS-81
	Regular or Intercept Box: <b>36" x 72" x 48" (Maintenance Only)</b>			
Drawn:	Eng:	Appr:	Date:	Revision: 5
BF	JR	DA	8/18	Page 1 of 4


## Vaults and Boxes

---

- 5. Two hot dipped galvanized steel unistruts (P3200HG x 72") located in opposite walls.  
**NOTE:** Unistrut to be clear of any concrete, slip or other debris prior to shipment.
- 6. 36" (W) x 72" (L) inside dimensions with tolerances of  $\pm 1$ ".

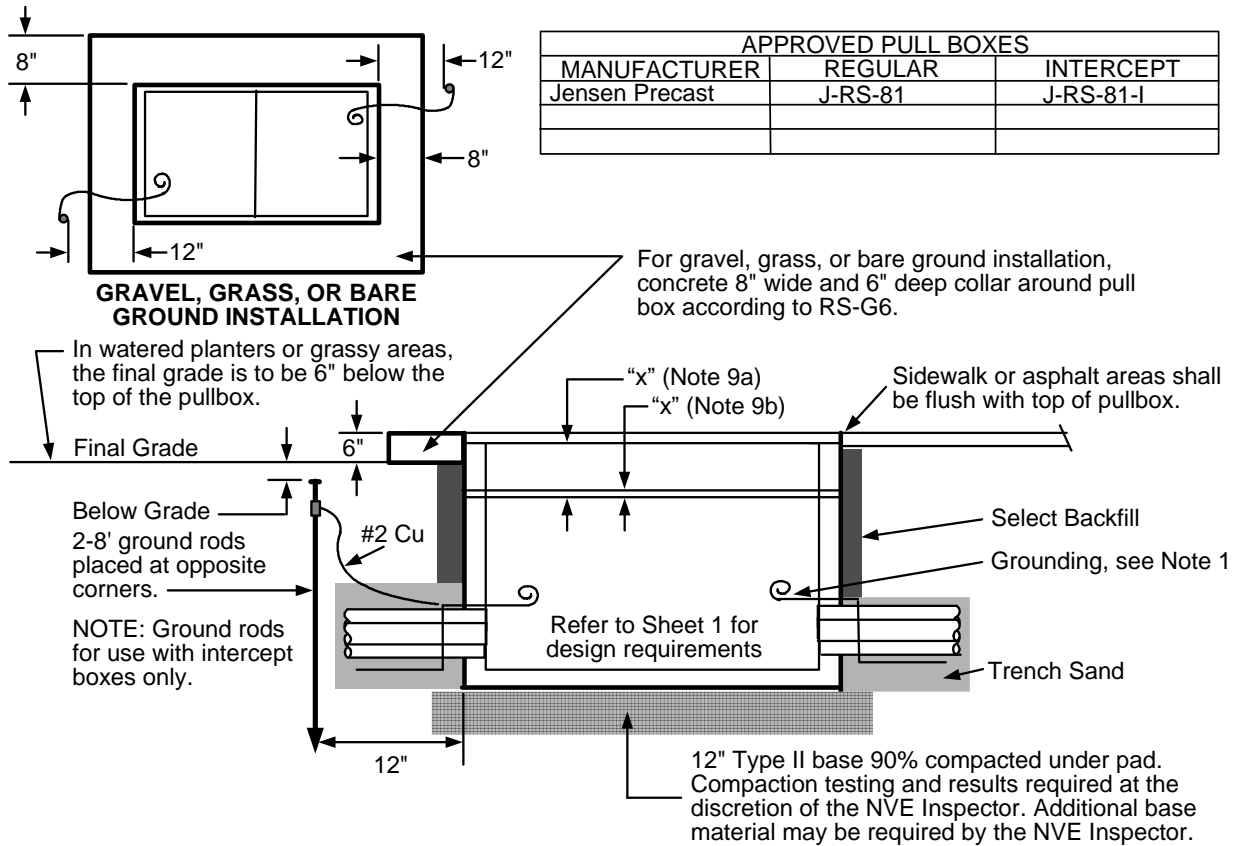
### 4. ENTIRE STRUCTURE:

- 1. All exposed steel shall be hot dip galvanized after fabrication, except torsion bars.
- 2. Torsion bars shall be spray galvanized.
- 3. Shall meet RS-G2 and RS-G4.  
**NOTE:** For traffic areas (e.g., streets, roads, etc.), use the RS-83 box.

				Electric Service Requirements		RS-81
				Regular or Intercept Box: 36" x 72" x 48" (Maintenance Only)		
Drawn:	Eng:	Appr:	Date:	Revision: 5		Page 2 of 4
BF	JR	DA	8/18			

# Vaults and Boxes


## INSTALLATION REQUIREMENTS – MAINTENANCE ONLY



### NOTES:

1. Grounding by customer, shall be one of the following:
  - A. **With regular box installation:** 2-50' #2-7 stranded bare copper ground wires laid in the bottom of the conduit trench in opposite directions with 2-5' tails left in the box. Ground wires to be installed through a 1" PVC conduit in the structures end walls.
  - B. **With intercept box installation:** Only at the discretion of the NVE Inspector, two 1/2" x 8' copper clad ground rods placed at opposite corners of the box may be installed
  - C. No exceptions allowed.

\*Grounding in accordance with the latest edition/revision of the NESC.
2. This box can handle up to 3 primary cables including 3-4 way modules (cable junctions or splices to be installed according to DIS Specifications: UJ-101, UJ-201 or US-115).
3. If the final grade is unknown, it's preferable to make the top of the pull box too low, rather than too high.
4. If the designer specifies additional conduit openings, the contractor shall core drill the holes as required.
5. The bottom surface of the box shall be level.
6. If the ground water level is at least 3' below the bottom of the splice box, the 2" diameter knockout in the sump pump recess shall be removed.
7. Two 1/2" spring nuts shall be installed by NVE for each module.
8. Intentionally Omitted

	Electric Service Requirements			RS-81
	<b>Regular or Intercept Box: 36" x 72" x 48" (Maintenance Only)</b>			
Drawn:	Eng:	Appr:	Date:	Revision: 5
BF	JR	DA	8/18	Page 3 of 4


## Vaults and Boxes

9. If any final grade adjustment “x” is needed, take the actions listed in Table 1.

**Table 1. Adjustment Requirements**

Adjustment	Action
-6” to +5”	NVE contractor shall exchange existing 12” extension with 6” to 17” high extension ordered from the original manufacturer.
+6” to +12”	NVE contractor may order an additional 6” to 12” height extension from original manufacturer.
Below -6” & above 12”	Any extension shorter than 6” or exceeding 12” in height shall be subject to T&D Standard’s department approval.

10. This box may be installed in sidewalks or in delivery alleys behind commercial developments.  
**NOTE:** For traffic areas (e.g., streets, roads, etc.), use the RS-83 box.
11. Retaining wall required when grade from the top of the lid rises or lowers more than 1’ in 5’ horizontally or when required by developer as perimeter wall.

				Electric Service Requirements		<b>RS-81</b>
				<b>Regular or Intercept Box:          36” x 72” x 48” (Maintenance Only)</b>		
Drawn:	Eng:	Appr:	Date:			Revision: 5
BF	JR	DA	8/18			Page 4 of 4