

DESIGN REQUIREMENTS

Approved Pull Boxes	
Manufacturer	PULLBOXES
Jensen Precast	J-RS-82
Olson Precast	O-RS-82

**TOLERANCES:**

a = +1/2" , -1/2"

b = +0" , -1"

c = +0" , -1/16"

LEGEND:

1. BOX EXTENSION
2. UNISTRUT
3. 2" DUCT TERMINATOR
4. SUMP PUMP RECESS
5. PULLING EYE
- 6.A. 2" TERMINATOR
- 6.B. 6" TERMINATOR
7. 4" TERMINATOR
8. BOX SECTION
9. 1" PVC CONDUIT
10. MASTIC
11. RS-82A HATCH
12. RS-82B HATCH
13. 1/2" - 13 UNC INSERT

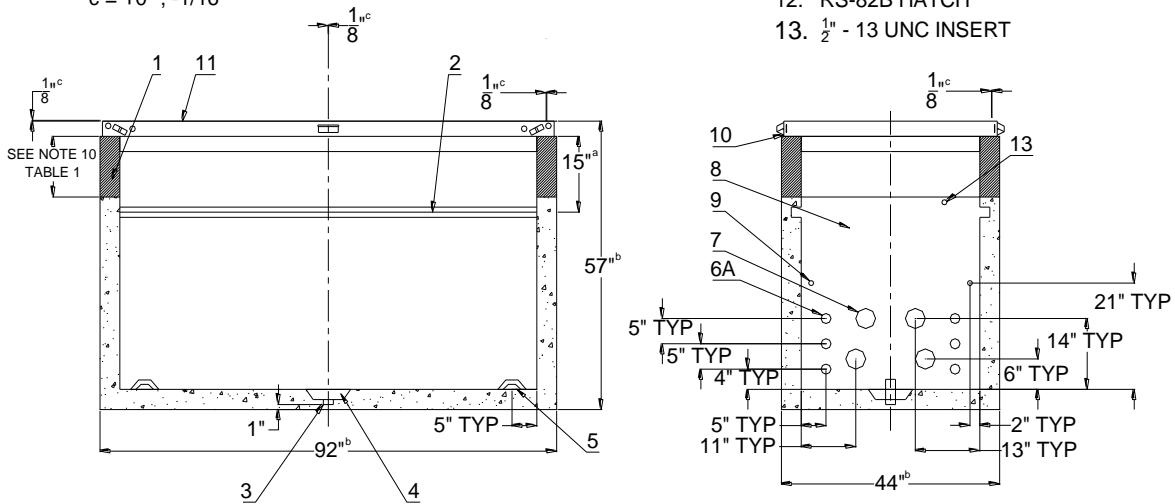


Figure 2. RS-82A Pullbox (Torsion Assisted Lid) for General Use Applications

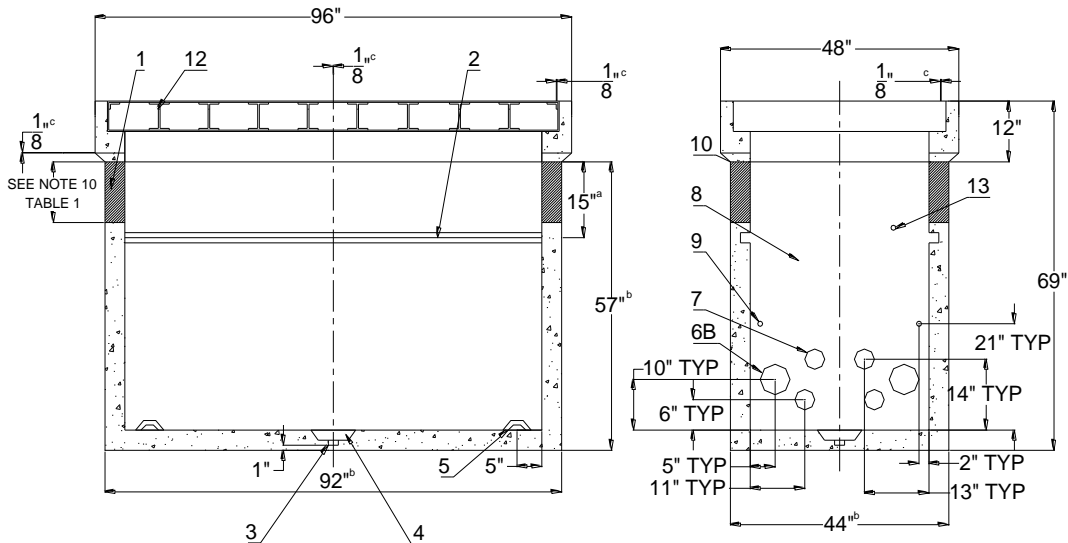



Figure 2. RS-82B Pullbox (Three Piece Lid) for Special Applications

				Electric Service Requirements		<b>RS-82</b>
				<b>Pull Box:</b> <b>36" x 84" x 48"</b>		
Drawn:	Eng:	Appr:	Date:	Revision: 11		Page 1 of 6
BF	JR	DA	8/18			

## Vaults and Boxes

---

### 1. RS-82 HATCH

1. See RS-H for design requirements.
2. The gap between the precast structure and the lid shall be sealed with mastic or similar material approved by NVE (see Figure 1)

### 2. BOX EXTENSION

1. 36" (W) x 84" (L) inside dimensions with tolerances of  $\pm 1"$ .

### 3. BOX SECTION FOR GENERAL USE APPLICATIONS

1. Four 4" and six 2" diameter PVC conduit terminators through each end wall.
2. Two 1" diameter PVC conduit through each end wall.
3. Two steel pulling eyes in the floor.
4. A 9" diameter x 2" deep sump pump recess with 2" diameter duct terminator in the middle of the floor. Per T & D Standards: Bow Co. Industries Inc. Part# T2000 or equivalent.
5. Two hot dipped galvanized steel unistruts (P3200HGx84") located on opposite walls.  
**NOTE:** Unistrut to be clear of any concrete, slip or other debris prior to shipment.
6. 36" (W) x 84" (L) inside dimensions with tolerances of  $\pm 1"$ .
7. Two  $\frac{1}{2}"$  grounding inserts nuts, one in each end wall, to be located 4" below unistrut.

### 4. ENTIRE STRUCTURE


1. All exposed steel shall be hot dip galvanized after fabrication, except torsion bars.
2. Torsion bars shall be spray galvanized.
3. Shall meet RS-G2 and RS-G4.  
**NOTE:** For traffic areas (e.g. streets, roads, etc.), use the RS-83 box.
4. For areas subject to vehicular traffic, vehicular protection barriers per RS-6 shall protect the RS-82 box.
5. Shims of any type are not allowed for installation of this box.

### 5. GROUNDING

1. The inserts shall be spaced in accordance with this specification drawing. Inserts to be attached to the internal box rebar by spot welding or approved connector. The insert shall accept  $\frac{1}{2}"$  American Standard Thread. Continuity between all inserts installed in the box sections shall be checked and verified prior to shipping by manufacturer / supplier.

### 6. BOX SECTION FOR SPECIAL APPLICATIONS

1. Four 4" and two 6" diameter PVC conduit terminators through each end wall.
2. Two 1" diameter PVC conduit through each end wall.
3. Two steel pulling eyes in the floor.
4. A 9" diameter x 2" deep sump pump recess with 2" diameter duct terminator in the middle of the floor. Per T & D Standards: Bow Co. Industries Inc. Part# T2000 or equivalent.
5. Two hot dipped galvanized steel unistruts (P3200HGx84") located on opposite walls.


	Electric Service Requirements			RS-82
	Pull Box: 36" x 84" x 48"			
Drawn:	Eng:	Appr:	Date:	Revision: 11
BF	JR	DA	8/18	Page 2 of 6

## Vaults and Boxes

---

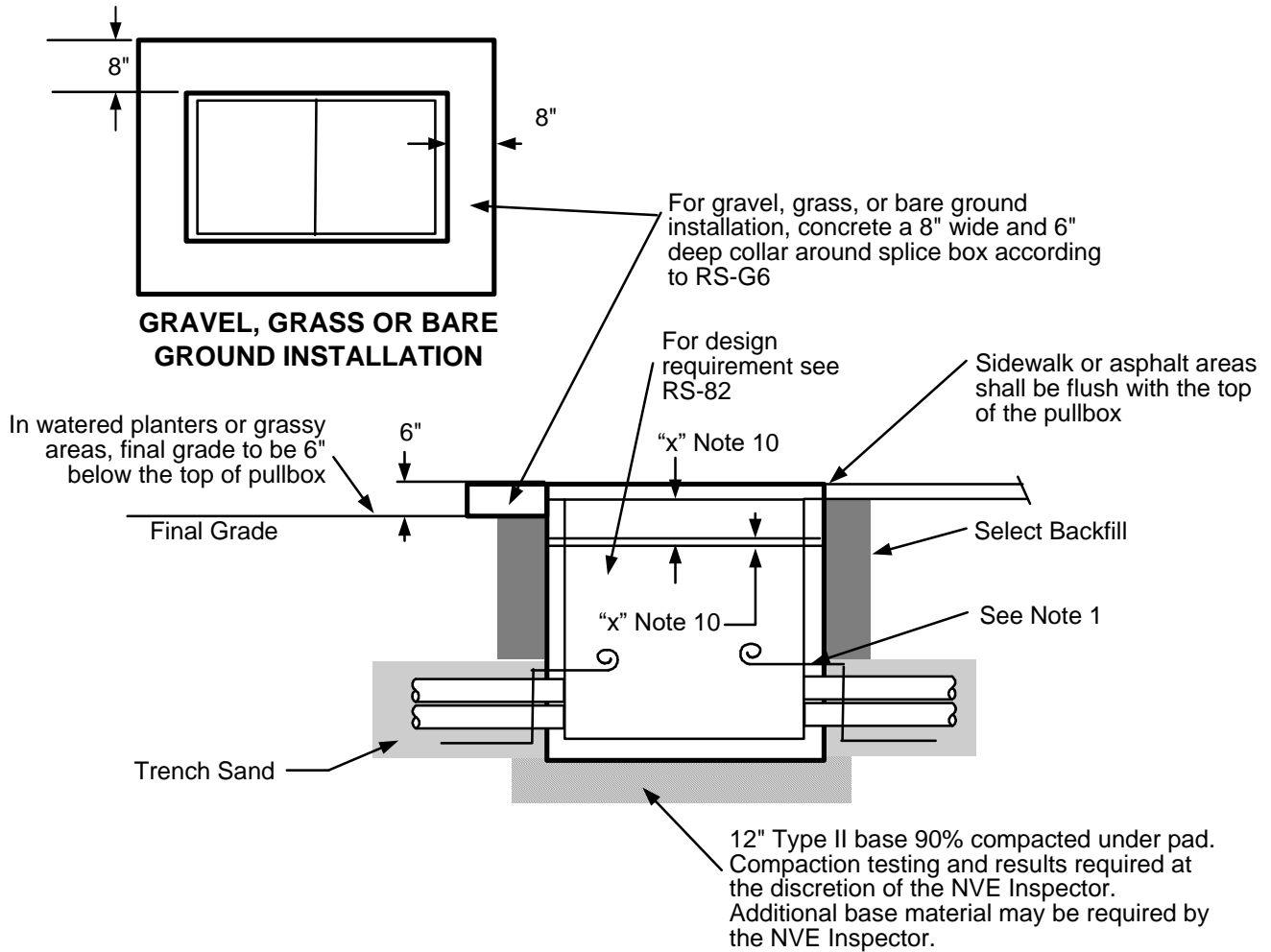
**NOTE:** Unistrut to be clear of any concrete, slip or other debris prior to shipment.

6. 36" (W) x 84" (L) inside dimensions with tolerances of  $\pm 1"$ .
7. Two  $\frac{1}{2}"$  grounding inserts nuts, one in each end wall, to be located 4" below unistrut.

				Electric Service Requirements		<b>RS-82</b>
				<b>Pull Box: 36" x 84" x 48"</b>		
Drawn:	Eng:	Appr:	Date:	Revision: 11		
BF	JR	DA	8/18	Page 3 of 6		

# Vaults and Boxes

## INSTALLATION REQUIREMENTS



**Figure 8. RS-82 Installation Requirements**

**NOTES:**

1. Ground wires shall be installed through a 1" PVC conduit in the structures end walls. Grounding by customer shall consist of the following:
  - A. 2-50' lengths of #2-7 stranded bare copper wire in the bottom of the conduit trench in opposite directions.
  - B. An additional 5' of the ground wire will be left in the box.
  - C. Exceptions are not permitted.
2. This box can handle up to 3 primary cables including 3-4 way modules (see UJ-101 or 201 for installation).
3. 2" conduit(s) shall be installed utilizing knockouts on the property or field side of the RS-82 box.
4. If the final grade is unknown, it's preferable to make the top of the pull box too low, rather than too high.
5. If the designer specifies additional conduit openings, the contractor shall core drill the holes as required.
6. The bottom surface of the box shall be level.

				Electric Service Requirements		<b>RS-82</b>
				<b>Pull Box:</b> <b>36" x 84" x 48"</b>		
Drawn:	Eng:	Appr:	Date:			Revision: 11
BF	JR	DA	8/18			Page 4 of 6


## Vaults and Boxes

7. If the ground water level is at least 3' below the bottom of the splice box, the 2" diameter knockout in the sump pump recess shall be removed.
8. Two ½" spring nuts shall be installed by NVE for each module.
9. Intentionally Omitted.
10. All new installations to be set to final grade. Grade changes prior to cable installation will require the box to be raised or lowered. If any final grade adjustment is needed after the cable is pulled, take the actions listed in Table 1.


**Table 1. Adjustment Requirements**

Adjustment	Action
-6" to +5"	NVE contractor shall exchange existing 12" extension with 6" to 17" high extension ordered from the original manufacturer.
+6" to +12"	NVE contractor may order an additional 6" to 12" height extension from original manufacturer.
Below -6" & above 12"	Any extension shorter than 6" or exceeding 12" in height shall be subject to T&D Standard's department approval.

11. This box shall be installed in non-traffic areas only.  
**NOTE:** For traffic areas (e.g. streets, roads, etc.), use the RS-83 box.
12. There shall be a minimum 6' clearance from RS-82 box to the centerline of a fire hydrant.
13. Retaining wall required when grade from the top of the lid rises or lowers more than 1' in 5' horizontally or when required by developer as perimeter wall.
14. Conduits for new construction shall be installed in terminators nearest the property line whenever possible; future conduit stubouts shall be installed in terminators nearest the street whenever possible.
15. NV Energy lineman shall install # 2 bare copper bus to grounding inserts and attach all bonding wires.

				Electric Service Requirements		<b>RS-82</b>
				<b>Pull Box:</b> <b>36" x 84" x 48"</b>		
Drawn:	Eng:	Appr:	Date:			Revision: 11
BF	JR	DA	8/18			Page 5 of 6

THIS PAGE INTENTIONALLY LEFT BLANK

				Electric Service Requirements		RS-82
				Pull Box: 36" x 84" x 48"		
Drawn:	Eng:	Appr:	Date:	Revision: 11		Page 6 of 6
BF	JR	DA	8/18			