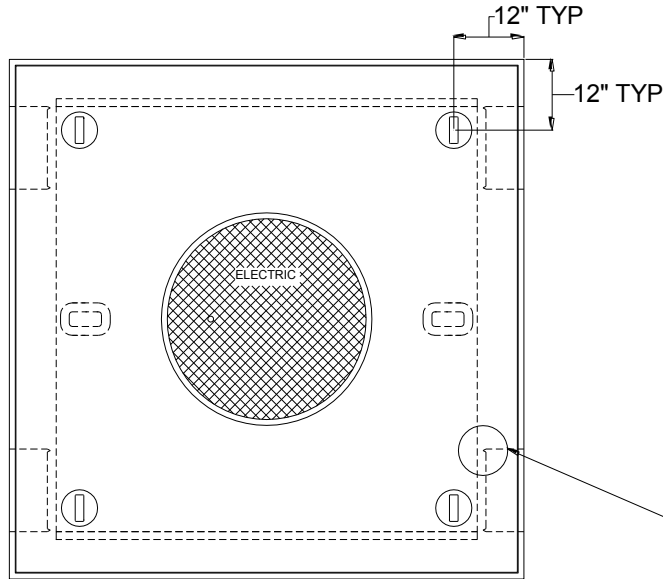
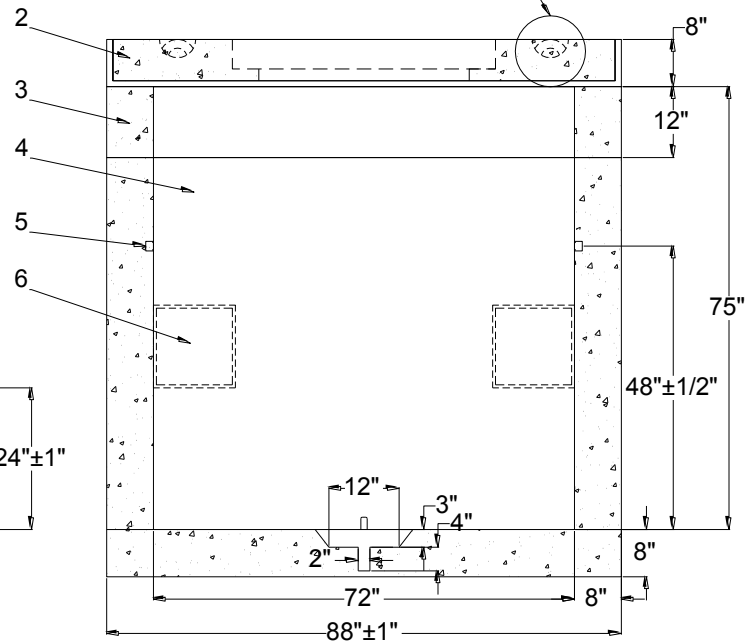
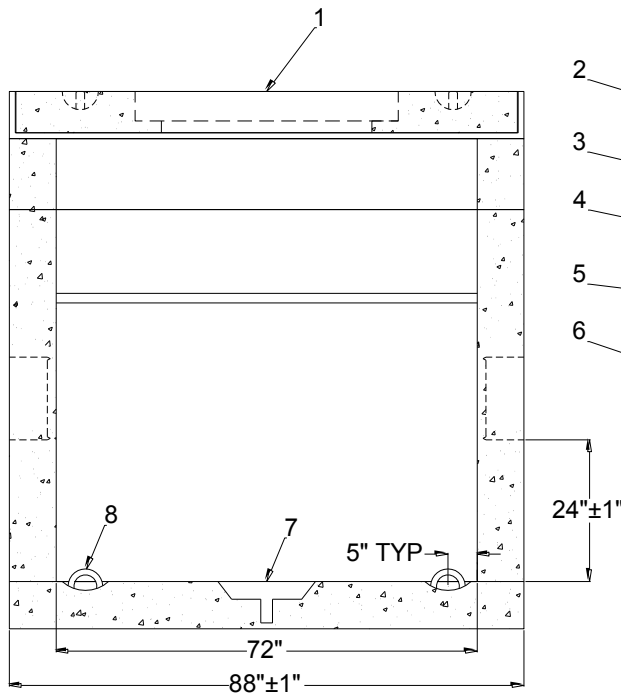
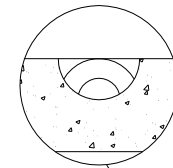
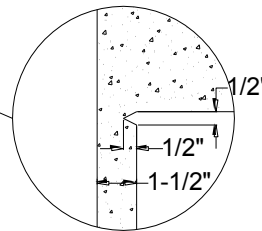


DESIGN REQUIREMENTS

APPROVED STRUCTURE	
MANUFACTURER	PULLBOX
JENSEN PRECAST	J-RS-83



- LEGEND:
1. TRAFFIC LID & RING
 2. TOP SECTION
 3. BOX EXTENSION
 4. BOX SECTION
 5. UNISTRUT
 6. MOLDED KNOCKOUT
 7. SUMP PUMP RECESS
 8. PULLING EYE



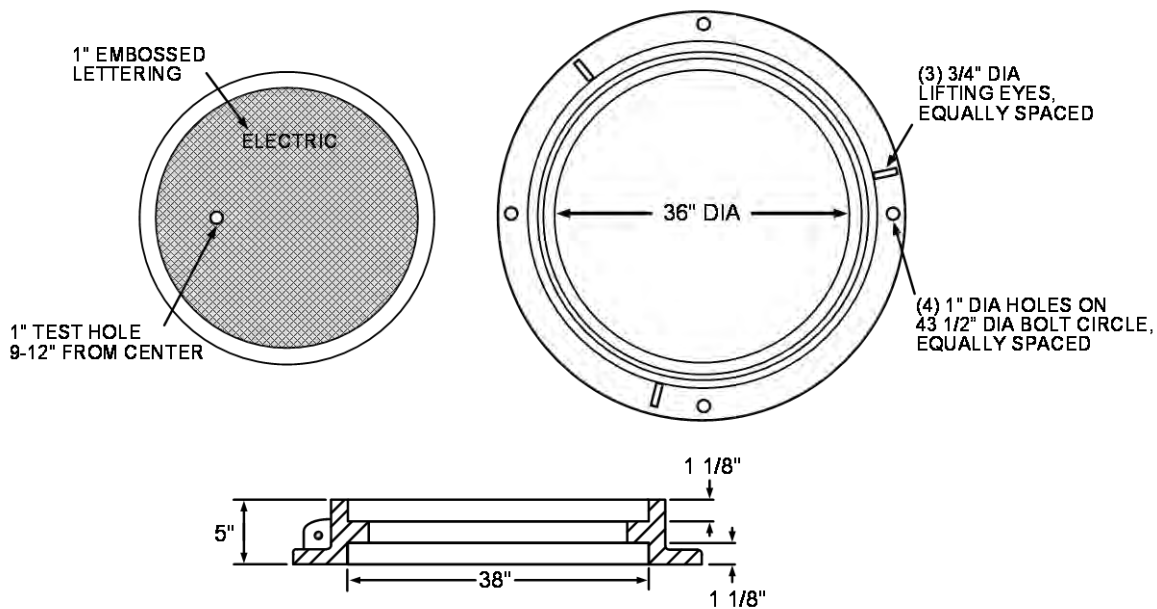
RS-83 INTERCEPT PULLBOX

	Electric Service Requirements			RS-83								
	Intercept Pull Box: 72" x 72" x 75" Special Use, Traffic Rated											
<table border="1"> <tr> <td>Drawn:</td> <td>Eng:</td> <td>Appr:</td> <td>Date:</td> </tr> <tr> <td>SM</td> <td>RD</td> <td>DA</td> <td>8/17</td> </tr> </table>	Drawn:	Eng:	Appr:	Date:	SM	RD	DA	8/17				Revision: 8A Page 1 of 6
Drawn:	Eng:	Appr:	Date:									
SM	RD	DA	8/17									

Vaults and Boxes

1. THE RING AND LID

1. All traffic rings and lids require NVE approval.
2. Traffic rings and lids shall be made in USA and meet AASHTO-H20.44 specification. Conform to H-20 wheel loading, ASTM A-48, and class 35B.
3. Lid shall have a 1" diameter lifting hole (through the thickness of the lid located 9" to 12" from the center of the lid).
4. Lid shall have the word "ELECTRIC" in 1" letters, embossed in the top.
5. Frame to be reversible.
6. Ring and lid to have indexing provisions to assist with bolt-hole alignment.



2. TOP SECTION

1. A 36" inside diameter cast traffic frame (with lid) centered and molded into top section.
2. Four lifting provisions not extended above the top of the pad.
3. Pad (with an entrance hole of a 36" min. diameter) that can be easily lifted.

3. BOX EXTENSION

1. Be 12" in height.
2. Have an anchor at each corner of the steel frame.

				Electric Service Requirements		RS-83
				Intercept Pull Box: 72" x 72" x 75" Special Use, Traffic Rated		
Drawn:	Eng:	Appr:	Date:			Revision: 8A
SM	RD	DA	8/17			Page 2 of 6

4. BOX SECTION

1. Two hot dip galvanized steel unistruts (P3200HG x 72") located in opposite walls.
2. Two molded knockouts, 14" (W) x 14" (H) in two walls without unistrut, each knockout shall have a 1/2" notch around each knockout per detail "A" on page 1.
3. 72" (W) x 72" (L) inside dimensions with tolerances of ±1".
4. Two steel pulling eyes in the floor.
5. A 12" diameter x 3" deep sump pump recess with a 2" diameter knockout in the middle of the floor.

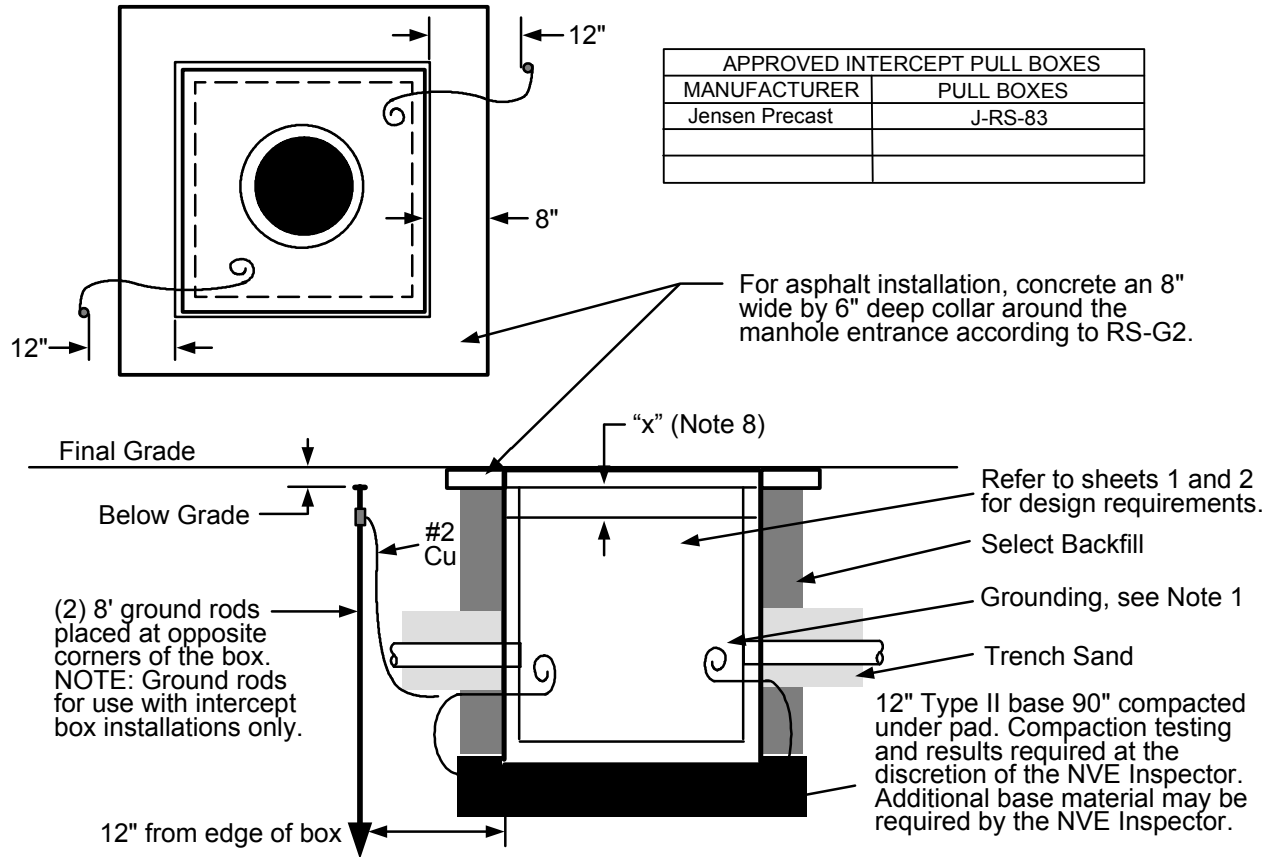
5. ENTIRE STRUCTURE

1. Shall meet RS-G2, RS-G4, and RS-G5.
 2. Shims of any type are not allowed for the installation of this box.
- NOTE:** Only this box may be installed directly under street traffic area and be utilized as a splice or pull box.

	Electric Service Requirements			RS-83
	Intercept Pull Box: 72" x 72" x 75" Special Use, Traffic Rated			
Drawn:	Eng:	Appr:	Date:	Revision: 8A
SM	RD	DA	8/17	Page 3 of 6

Vaults and Boxes

INSTALLATION REQUIREMENTS



NOTES:

1. Grounding by customer, shall be one of the following:
 - A. 2-50' lengths of #2-7 stranded bare copper wire laid in trench with 5' tails in the box.
 - B. Only at the discretion of the NVE Inspector, two 1/2" x 8' copper clad ground rods placed at opposite corners of the box may be installed.
 - C. No exceptions allowed.

*Grounding in accordance with the latest edition/revision of the NESC.
2. The bottom surface of the pull box shall be level.
3. If the ground water level is at least 3' below the bottom of the pull box, the 2" diameter knockout in the sump pump recess shall be removed.
4. A 4" split conduit shall be placed over the direct buried 1/0 cable before grouting the box to protect the cable.
5. Two of 1/2" -13 UNC spring nuts shall be installed by NVE for each module.
6. Intentionally Omitted.
7. Knockouts shall be removed from the inside of the structure.
8. If any final grade adjustment "x" is needed, take the actions listed in Table 1.

				Electric Service Requirements		RS-83
				Intercept Pull Box: 72" x 72" x 75" Special Use, Traffic Rated		
Drawn:	Eng:	Appr:	Date:			Revision: 8A
SM	RD	DA	8/17			Page 4 of 6

Vaults and Boxes

Table 1. Adjustment Requirements

Adjustment	Action
-6" to +5"	NVE contractor shall exchange existing 12" extension with 6" to 17" high extension ordered from the original manufacturer.
+6" to +12"	NVE contractor may order an additional 6" to 12" height extension from original manufacturer.
Below -6" & above 12"	Any extension shorter than 6" or exceeding 12" in height shall be subject to T&D Standard's department approval.

9. If this box will be used as a switching box, the top section (4,200#) shall be lifted by a crane for the hot stick operation.
10. This box shall be used if installation directly under street traffic area is required.
11. Retaining wall required when grade from top of the lid rises or lowers more than 1' in 5' horizontally or when required by developer as perimeter wall.
12. Shims of any type are not allowed for installation of this box.
13. Top section/grade ring may require a custom pour to meet final grade slope.
14. **Designer** – Must be approved by DF or team leader.

				Electric Service Requirements		RS-83
				Intercept Pull Box: 72" x 72" x 75" Special Use, Traffic Rated		
Drawn:	Eng:	Appr:	Date:			Revision: 8A
SM	RD	DA	8/17			Page 5 of 6

THIS PAGE INTENTIONALLY LEFT BLANK

				Electric Service Requirements		RS-83
				Intercept Pull Box: 72" x 72" x 75" Special Use, Traffic Rated		
Drawn:	Eng:	Appr:	Date:	Revision: 8A		
SM	RD	DA	8/17	Page 6 of 6		