

DESIGN REQUIREMENTS

APPROVED INTERCEPT SLICE BOXES	
Manufacturer	Intercept Boxes
Jensen Precast	J-RS-84

TOLERANCES:

a = +1/2" , -1/2"

b = +0" , -1"

c = +0" , -1/16"

LEGEND:

1. BOX EXTENSION
2. MOLDED KNOCKOUT
3. SUMP PUMP RECESS
4. PULLING EYE
5. BOX SECTION
6. MASTIC
7. RS-80H

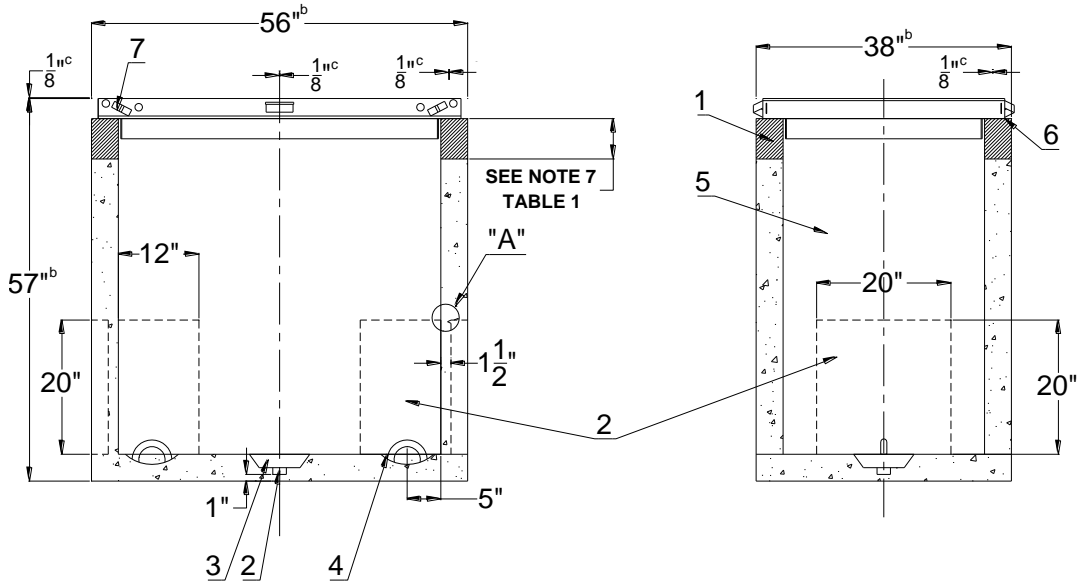
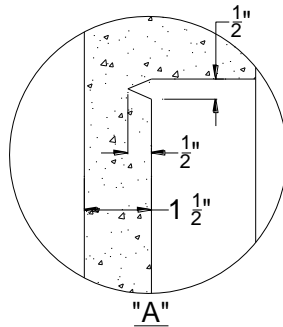



Figure 1. RS-84 Intercept Splice Box



				Electric Service Requirements		RS-84
				Intercept Splice Box: 30" x 48" x 48"		
Drawn:	Eng:	Appr:	Date:	Revision: 5		Page 1 of 5
BF	JR	DA	08/18			

Vaults and Boxes

1. RS-80 HATCH

1. See RS-H for design requirements.
2. The gap between the precast structure and the lid shall be sealed with mastic or similar material approved by NVE (see Figure 1).

2. BOX EXTENSION

1. 30" (W) x 48" (L) inside dimensions with tolerances of $\pm 1"$.


3. BOX SECTION

1. Two 12" (W) x 20" (H) molded knockouts in each side wall.
2. One 20" (W) x 20" (H) molded knockouts in each end wall.
3. A 9" diameter x 2" deep sump pump recess with 2" diameter knockout in the middle of the floor.
4. All knockouts with $\frac{1}{2}"$ notch around each knockout in middle section per detail "A" on page 1.
5. 30" (W) x 48" (L) inside dimensions with tolerances of $\pm 1"$.
6. Two steel pulling eyes in the floor.

4. ENTIRE STRUCTURE

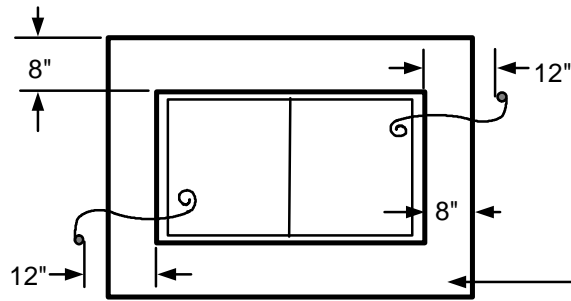
1. All exposed steel shall be hot dip galvanized after fabrication, except torsion bars.
2. Torsion bars shall be spray galvanized.
3. Shall meet RS-G2 and RS-G4.

NOTE: For traffic areas, (e.g., streets, roads, etc) use the RS-83 box.

				Electric Service Requirements		RS-84
				Intercept Splice Box: 30" x 48" x 48"		
Drawn:	Eng:	Appr:	Date:	Revision: 5		
BF	JR	DA	08/18	Page 2 of 5		

Vaults and Boxes

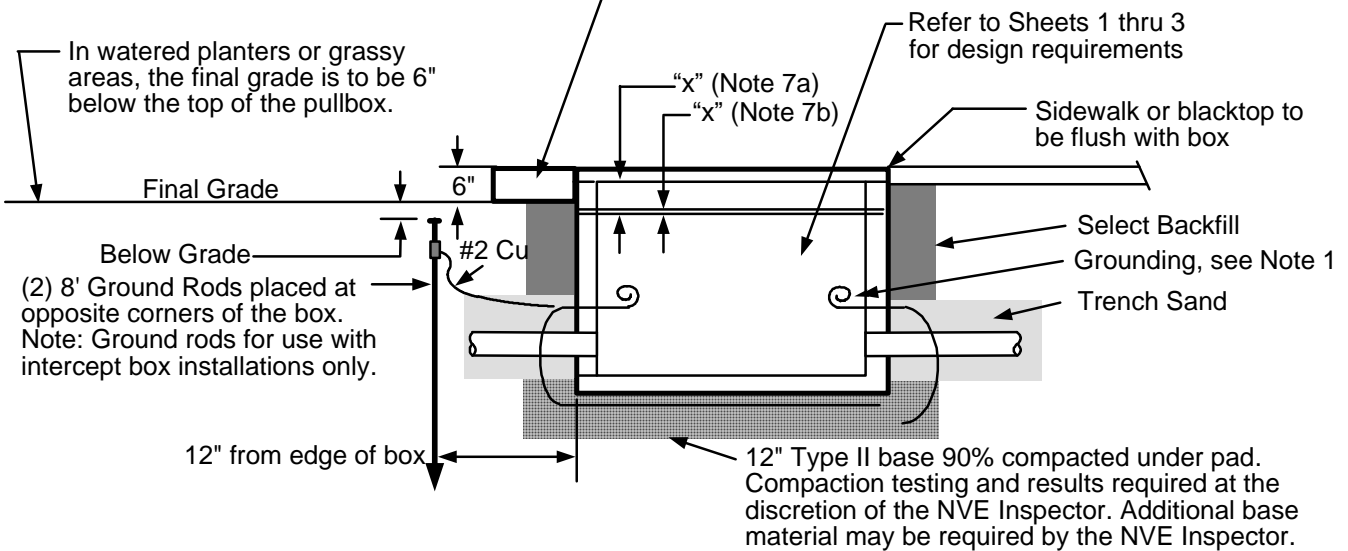
INSTALLATION REQUIREMENTS



APPROVED INTERCEPT SPLICE BOXES	
MANUFACTURER	INTERCEPT BOXES
Jensen Precast	J-RS-84

GRAVEL, GRASS, OR BARE GROUND INSTALLATION

For gravel, grass, or bare ground installation, concrete an 8" wide by 6" deep collar around the splice box according to RS-G6.



NOTES:

1. Grounding by customer, shall be one of the following:
 - A. 2-50' lengths of #2-7 stranded bare copper wire laid in trench with 5' tails in the box.
 - B. Only at the discretion of the NVE Inspector, two 1/2" x 8' copper clad ground rods placed at opposite corners of the box may be installed.
 - C. No exceptions allowed.

* Grounding in accordance with the latest edition/revision of the NESC.
2. The bottom surface of the manhole shall be level.
3. If the ground water level is at least 3' below the bottom of the pull box, the 2" diameter knockout in the sump pump recess shall be removed.
4. To protect the cable, a 4" split conduit shall be placed over the direct buried 1/0 cable before grouting the box.
5. Intentionally Omitted.

	Electric Service Requirements	RS-84							
	Intercept Splice Box: 30" x 48" x 48"								
<table border="1" style="width: 100%; border-collapse: collapse;"> <tr> <td style="width: 25%;">Drawn:</td> <td style="width: 25%;">Eng:</td> <td style="width: 25%;">Appr:</td> <td style="width: 25%;">Date:</td> </tr> <tr> <td>BF</td> <td>JR</td> <td>DA</td> <td>08/18</td> </tr> </table>	Drawn:	Eng:	Appr:	Date:	BF	JR	DA	08/18	Revision: 5 Page 3 of 5
Drawn:	Eng:	Appr:	Date:						
BF	JR	DA	08/18						


Vaults and Boxes

- 6. Knockouts shall be removed from the inside of the structure.
- 7. If any final grade adjustments "x" are needed, take the actions listed in Table 1.


Table 1. Adjustment Requirements

Adjustment	Action
-6" to +5"	NVE contractor shall exchange existing 12" extension with 6" to 17" high extension ordered from the original manufacturer.
+6" to +12"	NVE contractor may order an additional 6" to 12" height extension from original manufacturer.
Below -6" & above 12"	Any extension shorter than 6" or exceeding 12" in height shall be subject to T&D Standard's department approval.

- 8. This box may be installed in sidewalks or in delivery alleys behind commercial developments.
NOTE: For traffic areas, (e.g. streets, roads, etc.) use the RS-83 box.
- 9. There shall be a minimum 6' clearance from the RS-84 box to the centerline of a fire hydrant.
- 10. Retaining wall required when grade from the top of the lid rises or lowers more than 1' in 5' horizontally or when required by developer as perimeter wall.

				Electric Service Requirements		RS-84
				Intercept Splice Box: 30" x 48" x 48"		
Drawn:	Eng:	Appr:	Date:			Revision: 5
BF	JR	DA	08/18			Page 4 of 5

THIS PAGE INTENTIONALLY LEFT BLANK

				Electric Service Requirements		RS-84
				Intercept Splice Box: 30" x 48" x 48"		
Drawn:	Eng:	Appr:	Date:	Revision: 5		
BF	JR	DA	08/18	Page 5 of 5		