

DESIGN REQUIREMENTS

| APPROVED STRUCTURE | |
|--------------------|---------------|
| MANUFACTURER | INTERCEPT BOX |
| JENSEN PRECAST | J-RS-85 |
| OLSON PRECAST | O-RS-85 |

TOLERANCES:

a = +1/2" , -1/2"

b = +0" , -1"

c = +0" , -1/16"

LEGEND:

1. BOX EXTENSION
2. UNISTRUT
3. MOLDED KNOCKOUT
4. SUMP PUMP RECESS
5. PULLING EYE
6. BOX SECTION
7. MASTIC
8. RS-82A HATCH
9. BOX EXTENSION

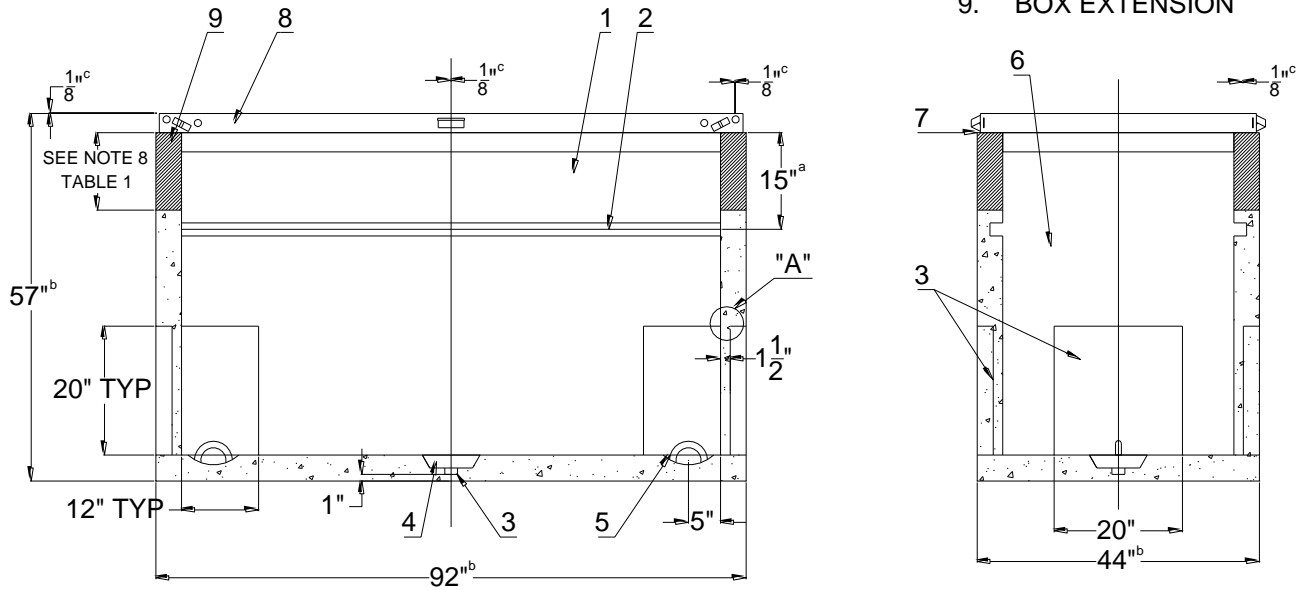
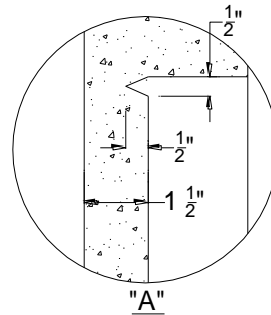



Figure 1. RS-85 Intercept Box



| | | | | | | |
|---|------|-------|-------|---|--|--------------|
|  | | | | Electric Service Requirements | | RS-85 |
| | | | | Intercept Box: 36" x 84" x 48" | | |
| Drawn: | Eng: | Appr: | Date: | Revision: 7 | | Page 1 of 5 |
| JJ | JR | DA | 10/18 | | | |

Vaults and Boxes

1. RS-82A HATCH

1. See RS-H for design requirements.
2. The gap between the precast structure and the lid shall be sealed with mastic or similar material approved by NVE (see Figure 1).

2. BOX EXTENSION

1. 36" (W) x 84" (L) inside dimensions with tolerances of $\pm 1"$.


3. BOX SECTION

1. Two 12" (W) x 20" (H) molded knockouts in each side wall.
2. Two 20" (W) x 20" (H) molded knockouts in each end wall.
3. All knockouts with $\frac{1}{2}"$ notch around each knockout in middle section per detail "A" on page 1.
4. Two hot dip galvanized unistruts (P3200HG x 84") located in opposite walls (stainless steel spring nuts shall be installed by NVE).
5. Unistrut shall have a foam barrier installed during manufacture.
NOTE: A final QA/QC check of all unistrut prior to shipping/delivery shall be conducted to ensure no grout or concrete material is contained within the unistrut. If any grout or concrete material is found at time of inspection it shall be removed
5. 36" (W) x 84" (L) inside dimensions with tolerances of $\pm 1"$.
6. Two steel pulling eyes in the floor.
7. A 9" diameter x 2" deep sump pump recess with 2" diameter knockout in the middle of the floor.

4. ENTIRE STRUCTURE

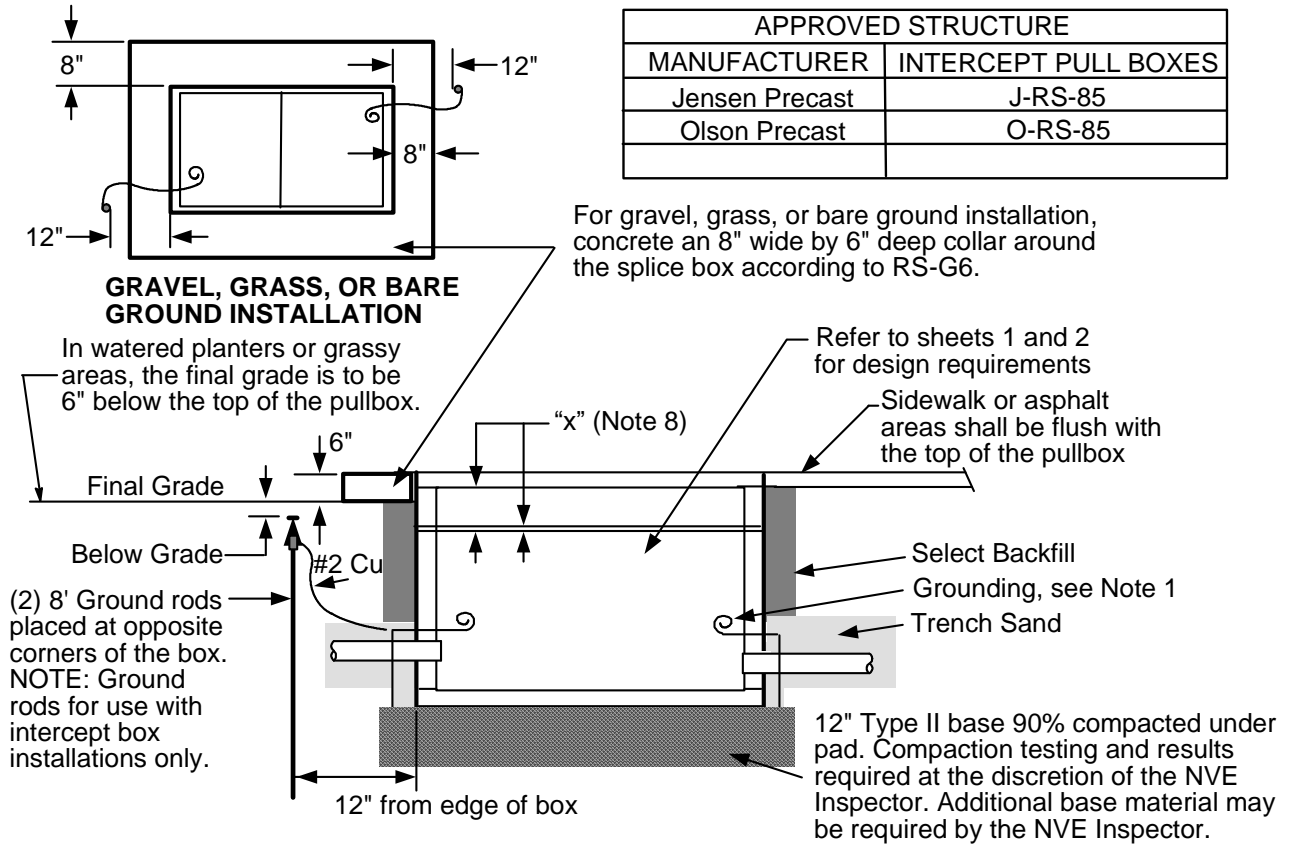
1. All exposed steel shall be hot dip galvanized after fabrication, except torsion bars.
2. Torsion bars shall be spray galvanized.
3. Shall meet RS-G2 and RS-G4.

NOTE: For traffic areas, (e.g. streets, roads, etc.) use the RS-83 box.

| | | | | | | |
|---|------|-------|-------|-----------------------------------|--|-------------|
|  | | | | Electric Service Requirements | | RS-85 |
| | | | | Intercept Box: 36" x 84" x 48" | | |
| Drawn: | Eng: | Appr: | Date: | | | Revision: 7 |
| JJ | JR | DA | 10/18 | | | Page 2 of 5 |

Vaults and Boxes

INSTALLATION REQUIREMENTS




| APPROVED STRUCTURE | |
|--------------------|----------------------|
| MANUFACTURER | INTERCEPT PULL BOXES |
| Jensen Precast | J-RS-85 |
| Olson Precast | O-RS-85 |

For gravel, grass, or bare ground installation, concrete an 8" wide by 6" deep collar around the splice box according to RS-G6.

NOTES:

1. Grounding by customer, shall be one of the following:
 - A. 2-50' lengths of #2-7 stranded bare copper wire laid in trench with 5' tails in the box.
 - B. Only at the discretion of the NVE Inspector, two 1/2" x 8' copper clad ground rods placed at opposite corners of the box may be installed.
 - C. No exceptions allowed.

*Grounding in accordance with the latest edition/revision of the NESC.
2. The bottom surface of the manhole shall be level
3. If the ground water level is at least 3' below the bottom of the pull box, the 2" diameter knockout in the sump pump recess shall be removed.
4. To protect the cable, a 4" split conduit shall be placed over the direct buried 1/0 cable before grouting the box.
5. Intentionally Omitted.
6. Knockouts shall be removed from the inside of the structure.
7. Two 1/2" - 13 UNC pentahead stainless steel bolts and spring nuts shall be installed by NVE for each module.

| | | | | | | | | | | |
|--|--|-----------------------------------|-------|-------|----|----|----|-------|--|----------------------------|
|  | Electric Service Requirements | <h1 style="margin: 0;">RS-85</h1> | | | | | | | | |
| | <h2 style="margin: 0;">Intercept Box:</h2> <h3 style="margin: 0;">36" x 84" x 48"</h3> | | | | | | | | | |
| <table border="1" style="width: 100%; border-collapse: collapse;"> <tr> <td style="width: 25%;">Drawn:</td> <td style="width: 25%;">Eng:</td> <td style="width: 25%;">Appr:</td> <td style="width: 25%;">Date:</td> </tr> <tr> <td>JJ</td> <td>JR</td> <td>DA</td> <td>10/18</td> </tr> </table> | Drawn: | Eng: | Appr: | Date: | JJ | JR | DA | 10/18 | | Revision: 7 Page 3 of 5 |
| Drawn: | Eng: | Appr: | Date: | | | | | | | |
| JJ | JR | DA | 10/18 | | | | | | | |


Vaults and Boxes

8. If any final grade adjustment “x” is needed, take the actions listed in Table 1.


Table 1. Adjustment Requirements

| Adjustment | Action |
|-----------------------|--|
| -6” to +5” | NVE contractor shall exchange existing 12” extension with 6” to 17” high extension ordered from the original manufacturer. |
| +6” to +12” | NVE contractor may order one additional 6” to 12” height extension from original manufacturer. |
| Below -6” & above 12” | Any extension shorter than 6” or exceeding 12” in height shall be subject to T&D Standard’s department approval. |

9. The box may be installed in sidewalks and non traffic areas; for installations in delivery alleys behind commercial developments specify an RS-82B three piece lid.
NOTE: For traffic areas (e.g. streets, roads, etc.), use the RS-83 box.
10. There shall be a minimum 6’ clearance from the RS-85 box to the centerline of a fire hydrant.
11. Retaining wall required when grade from the top of the lid rises or lowers more than 1’ in 5’ horizontally or when required by developer as perimeter wall.

| | | | | | | |
|---|------|-------|-------|---|--|--------------|
|  | | | | Electric Service Requirements | | RS-85 |
| | | | | Intercept Box: 36” x 84” x 48” | | |
| Drawn: | Eng: | Appr: | Date: | | | Revision: 7 |
| JJ | JR | DA | 10/18 | | | Page 4 of 5 |

THIS PAGE INTENTIONALLY LEFT BLANK

| | | | | | | |
|---|------|-------|-------|-----------------------------------|--|-------------|
|  | | | | Electric Service Requirements | | RS-85 |
| | | | | Intercept Box: 36" x 84" x 48" | | |
| Drawn: | Eng: | Appr: | Date: | | | Page 5 of 5 |
| JJ | JR | DA | 10/18 | | | |