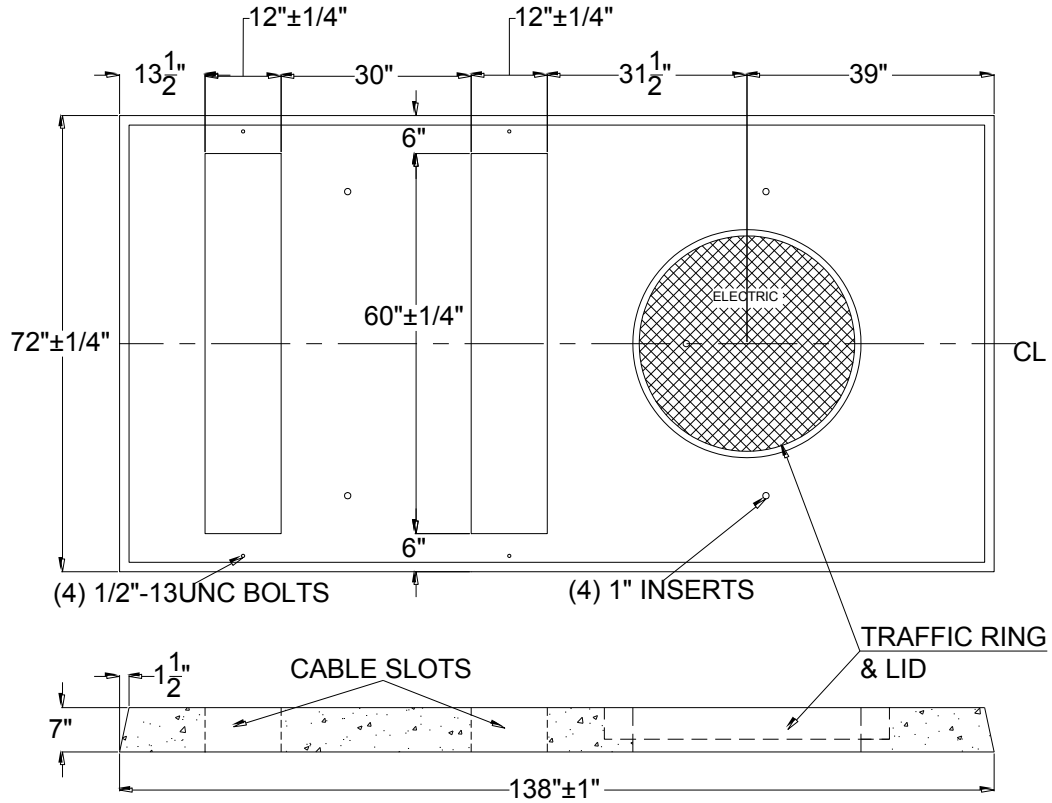


Vaults and Boxes

DESIGN REQUIREMENTS


APPROVED STRUCTURE	
MANUFACTURER	MANHOLE
JENSEN PRECAST	PDRS97M



RS-97M PAD

NOTE:

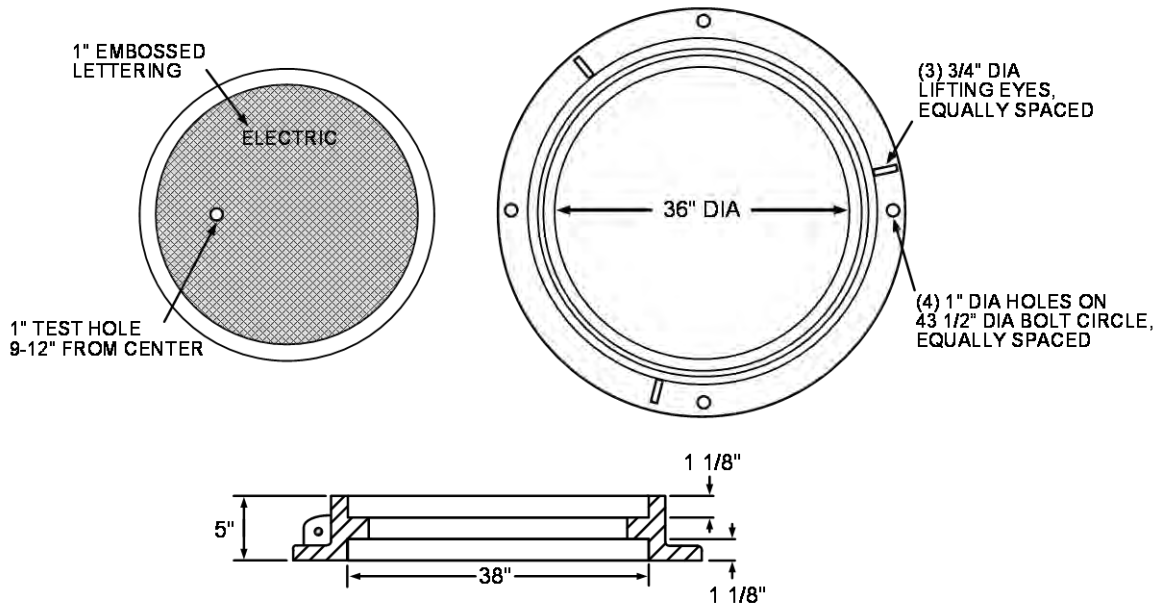
1. Not for new construction
2. FOR MAINTENANCE ONLY.

				Electric Service Requirements		RS-97M
				Manhole (Maintenance): Switch/Fuse Cabinet, 15kV		
Drawn:	Eng:	Appr:	Date:	Revision: 4A		Page 1 of 2
KT	RD	DA	10/16			

Vaults and Boxes

1. RING AND LID


1. All traffic rings and lids require NVE approval.
2. Traffic rings and lids shall be made in USA and meet AASHTO-H20.44 specification. Conform to H-20 wheel loading, ASTM A-48, and class 35B.
3. Lid shall have a 1" diameter lifting hole (through the thickness of the lid located 9" to 12" from the center of the lid).
4. Lid shall have the word "ELECTRIC" in 1" letters, embossed in the top.
5. Frame to be reversible.
6. Ring and lid to have indexing provisions to assist with bolt-hole alignment.



2. TOP PAD SECTION

1. Two 12" x 60" cable slots.
2. Four 1/2"-13 UNC inserts.
3. Four 1" lifting inserts placed at manufacturer's discretion for safe lifting.
4. 1-1/2" Taper all around top of pad.
5. 36" diameter cast iron traffic frame mounted in the concrete.
6. RS-97M shall meet RS-G2, RS-G4, and RS-G5
7. Shims of any type are not allowed for the installation of this box.

NOTE: In the case of road expansion, this structure shall not be adapted for placement under the road without NVE T&D Standards approval.

				Electric Service Requirements		RS-97M
				Manhole (Maintenance): Switch/Fuse Cabinet, 15kV		
Drawn:	Eng:	Appr:	Date:			Revision: 4A
KT	RD	DA	10/16			Page 2 of 2