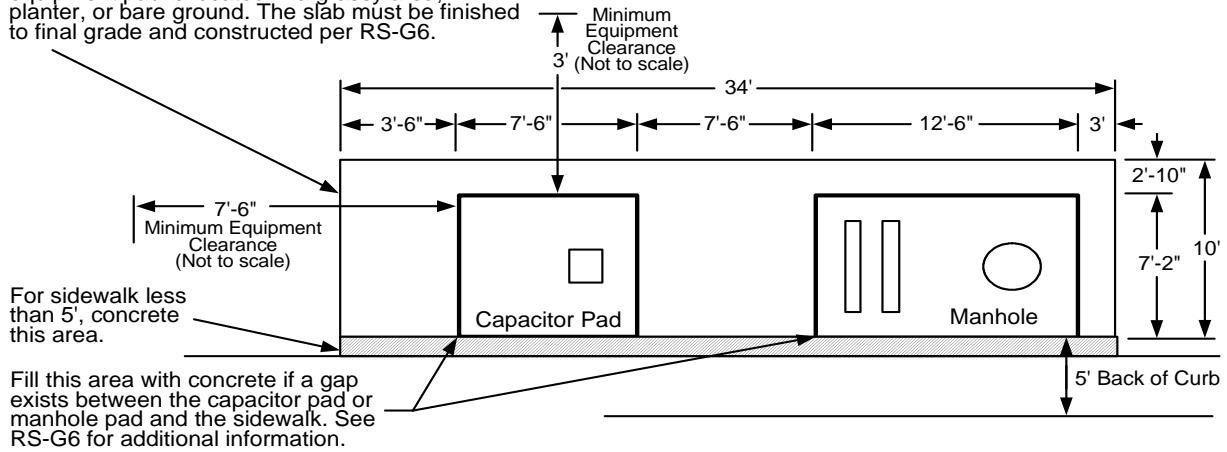


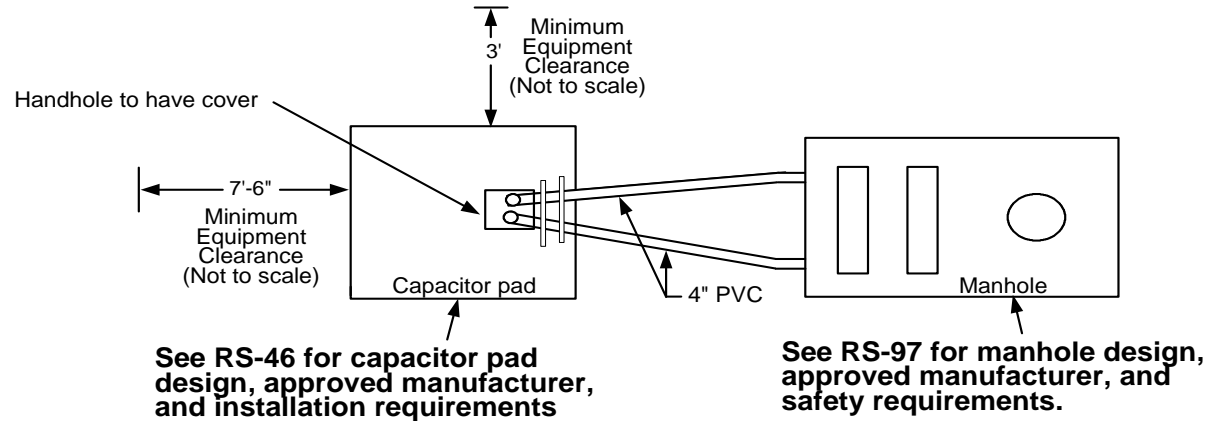
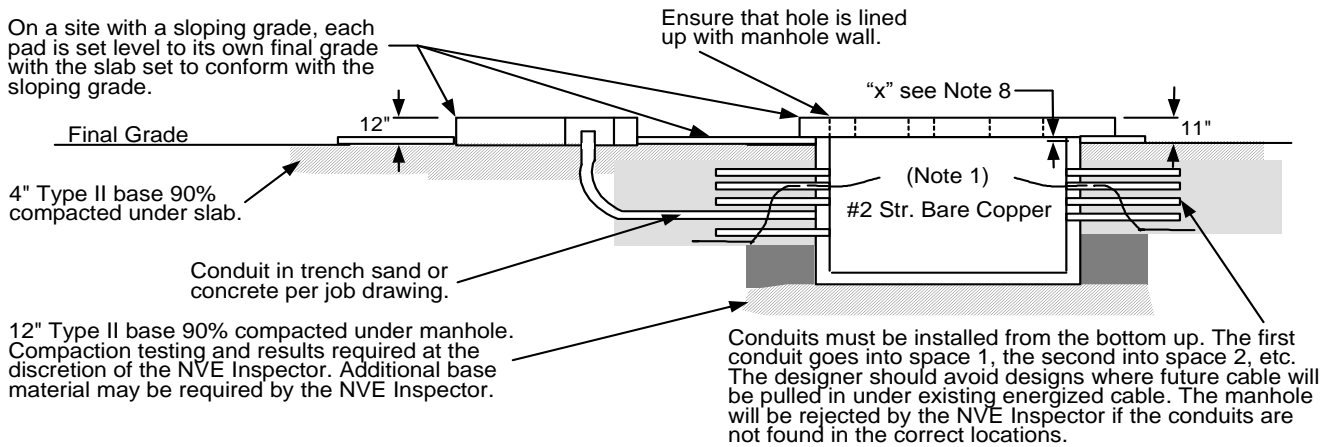
# Vaults and Boxes

## INSTALLATION REQUIREMENTS

A 4" thick concrete slab is required when the equipment pad is located in a grassy area, planter, or bare ground. The slab must be finished to final grade and constructed per RS-G6.



On a site with a sloping grade, each pad is set level to its own final grade with the slab set to conform with the sloping grade.



**Note:** When PM switch is installed, then a Cap. Bank (UC-1) or Dummy Cap. Bank (UCD-101) must also be installed.

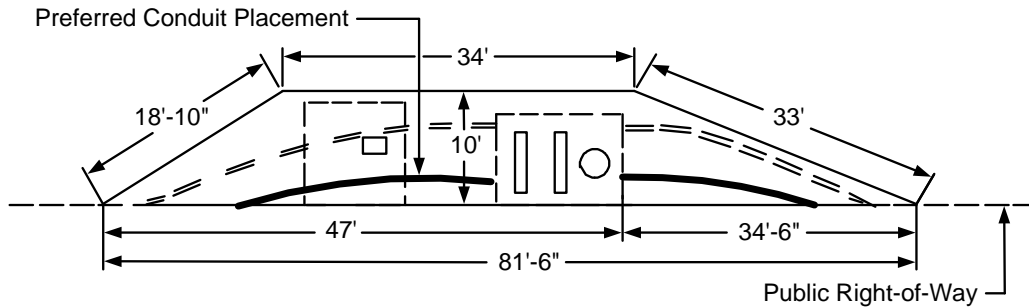
				Electric Service Requirements		<b>RS-100</b>
				<b>12kV Manhole Pad and Capacitor Pad: Adjacent to Public R.O.W.</b>		
Drawn:	Eng:	Appr:	Date:			Revision: 4B
SM	RD	DA	12/17			Page 1 of 2

# Vaults and Boxes

**NOTES:**

1. Grounding by customer shall be 2-50' #2-7 stranded bare copper ground wires laid in the bottom of the conduit trench in opposite directions with 2-5' tails left in the box.
  - A. No exceptions allowed.

**NOTE:** Ground wires shall be installed through a 1" PVC conduit in the structures end walls.
2. For location and clearances to other structures, see: RS-5.
3. Retaining wall required when grade from bottom of pad rises or lowers more than 1' in 5' horizontally.
4. Required easement:




5. If the designer specifies additional conduit openings, the contractor shall core drill the holes as required.
6. The bottom surface of the manhole shall be level.
7. If the ground water level is at least 3' below the bottom of the pull box, the 2" diameter knockout in the sump pump recess shall be removed.
8. If any final grade adjustment "x" is needed, take the actions listed in Table 1.

**Table 1. Adjustment Requirements**

Adjustment	Action
0" – 6"	The top of the pad has to clear the final grade 11" to min. 5"
6" – 24"	The NVE contractor shall order one extension from the original manufacturer.
Above 24"	Any extension exceeding 24" shall be subject to T & D Standards approval

9. If bottom of the manhole pad is located 1" to 24" above final ground level, the NVE contractor shall make a concrete collar that fills the space under the outside dimensions of the pad.
10. If bottom of the manhole pad is located more than 24" above or below Ground level, the proposed adjustment shall be subject to Regional Standards approval.
11. This manhole may be installed next to sidewalks, but never under traffic areas.
 

**NOTE:** For heavy frequency traffic areas, (e.g. streets, roads, etc.) use the RS-94 manhole.

	Electric Service Requirements	RS-100										
	12kV Manhole Pad and Capacitor Pad: Adjacent to Public R.O.W.											
<table border="1" style="width: 100%; border-collapse: collapse;"> <tr> <td style="width: 25%;">Drawn:</td> <td style="width: 25%;">Eng:</td> <td style="width: 25%;">Appr:</td> <td style="width: 25%;">Date:</td> </tr> <tr> <td style="text-align: center;">SM</td> <td style="text-align: center;">RD</td> <td style="text-align: center;">DA</td> <td style="text-align: center;">12/17</td> </tr> </table>	Drawn:	Eng:	Appr:	Date:	SM	RD	DA	12/17	<table border="1" style="width: 100%; border-collapse: collapse;"> <tr> <td style="text-align: right;">Revision: 4B</td> </tr> <tr> <td style="text-align: right;">Page 2 of 2</td> </tr> </table>		Revision: 4B	Page 2 of 2
Drawn:	Eng:	Appr:	Date:									
SM	RD	DA	12/17									
Revision: 4B												
Page 2 of 2												