


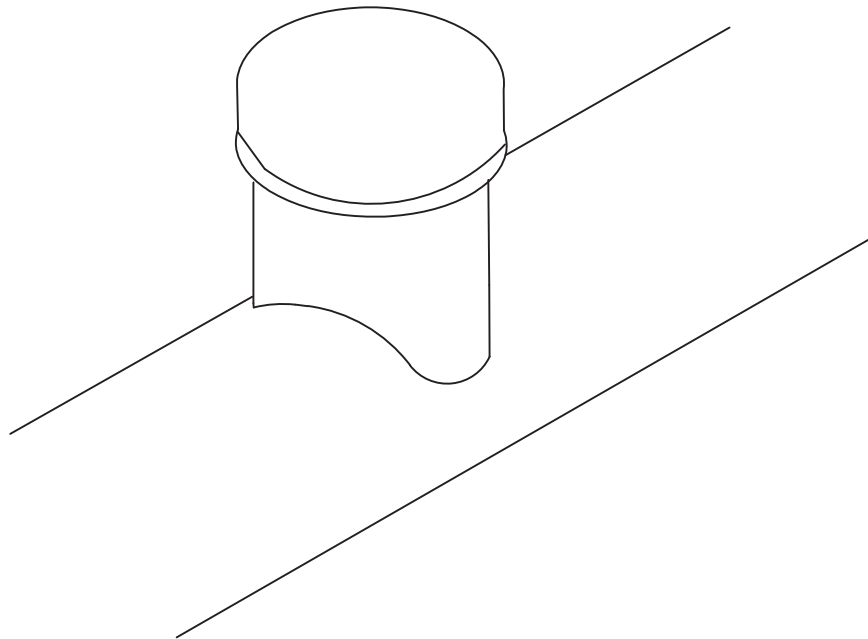
## DISTRIBUTION LINE STOPPERS

	<u>CU LISTING</u>	<u>PAGE NUMBER</u>
<b><u>2" MAIN</u></b>		
LINE STOPPER (DLS01)	GDLS-AA	PAGE 2
LINE STOPPER BOTTOM-OUT (DLS06)	GDLS-AB	PAGE 3
<b><u>4" MAIN</u></b>		
LINE STOPPER (DLS03)	GDLS-BA	PAGE 4
LINE STOPPER BOTTOM/SIDE-OUT (DLS07)	GDLS-BC	PAGE 5
4" OD LINE STOPPER (DLS02)	GDLS-CA	PAGE 6
<b><u>8" MAIN</u></b>		
LINE STOPPER (DLS04)	GDLS-DA	PAGE 7
LINE STOPPER BOTTOM/SIDE-OUT (DLS08)	GDLS-DC	PAGE 8
<b><u>12" MAIN</u></b>		
LINE STOPPER (DLS05)	GDLS-EA	PAGE 9
LINE STOPPER BOTTOM/SIDE-OUT (DLS09)	GDLS-EC	PAGE 10


	VOLUME 15 – ENGINEERING & CONSTRUCTION STANDARD	GDLS-XX
	DISTRIBUTION LINE STOPPERS INDEX	
Drawn: CM	Eng: CLD	Appr:
Date: 06/2017		Revision: 1 Page 1 of 10

NOTES:

- 1) COAT ALL STEEL PIPE WITH CURRENT APPROVED COATING.

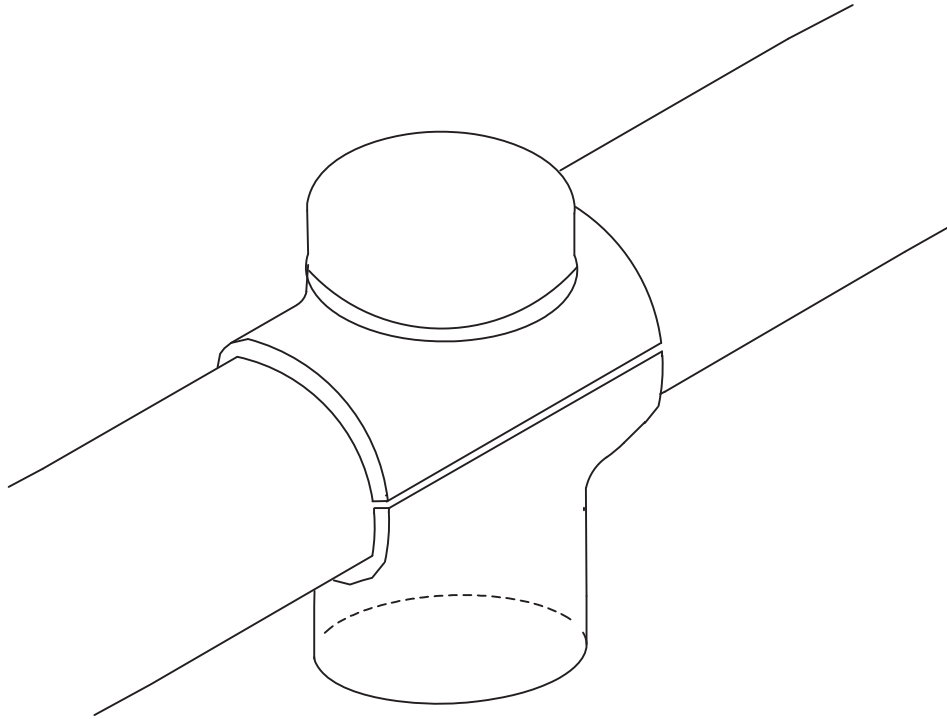


MATERIAL LIST - DLS01G			
ITEM	STOCK #	QTY.	DESCRIPTION
A	45-2037	1.0	STOP 2" HALF FITTING
B	47-0280	0.25	VALVE PRIMER
C	47-0272	2.0	2" WIDE WAX WRAP TAPE
D	47-0278	2.0	PLASTIC OUTER WRAP


	VOLUME 15 - ENGINEERING & CONSTRUCTION STANDARD			GDLS-AA
	<b>DISTRIBUTION LINE STOPPERS 2" LINE STOPPER</b>			
Drawn:	Eng:	Appr:	Date:	Revision: X
CM	XX	XX	5/2017	Page 2 of 10

NOTES:

- 1) COAT ALL STEEL PIPE WITH CURRENT APPROVED COATING.

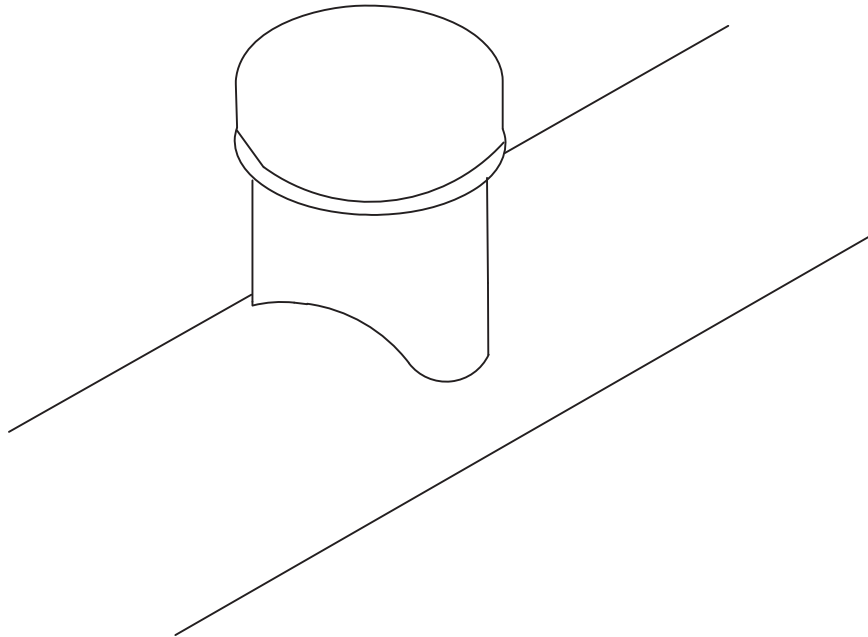


MATERIAL LIST - DLS06G			
ITEM	STOCK #	QTY.	DESCRIPTION
A	45-2033	1.0	STOP 2" BOTTOM-OUT FITTING
B	47-0280	0.25	VALVE PRIMER
C	47-0272	2.0	2" WIDE WAX WRAP TAPE
D	47-0278	2.0	PLASTIC OUTER WRAP


	VOLUME 15 - ENGINEERING & CONSTRUCTION STANDARD			GDLS-AB
	<b>DISTRIBUTION LINE STOPPERS 2" LINE STOPPER BOTTOM-OUT</b>			
Drawn:	Eng:	Appr:	Date:	Revision: X
CM	XX	XX	5/2017	Page 3 of 10

NOTES:

- 1) COAT ALL STEEL PIPE WITH CURRENT APPROVED COATING.

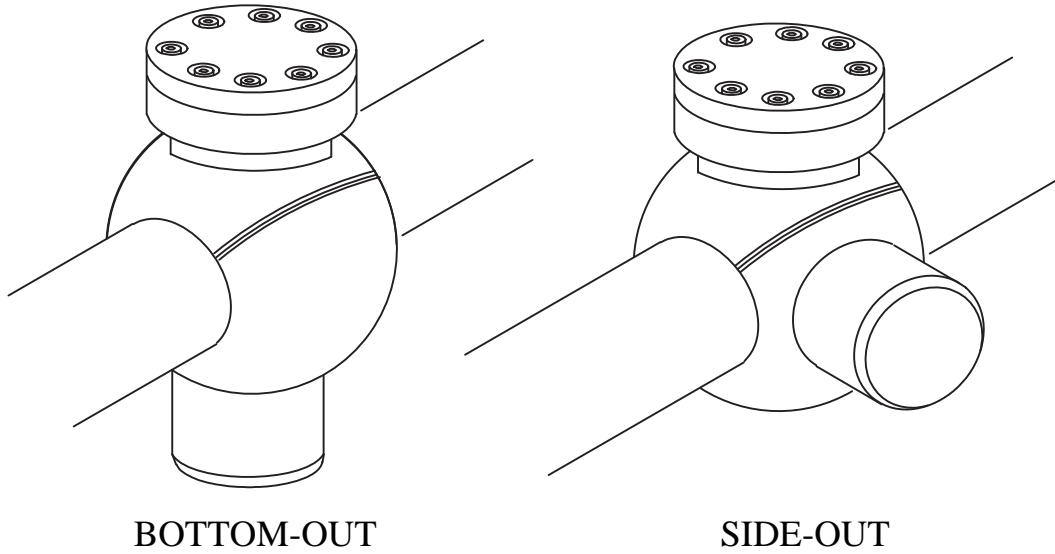


MATERIAL LIST - DLS03G			
ITEM	STOCK #	QTY.	DESCRIPTION
A	45-2046	1.0	STOP 3"X4" FOR 4" HALF FITTING
B	47-0280	0.25	VALVE PRIMER
C	47-0272	2.0	2" WIDE WAX WRAP TAPE
D	47-0278	2.0	PLASTIC OUTER WRAP


	<b>VOLUME 15 - ENGINEERING &amp; CONSTRUCTION STANDARD</b>	<b>GDLS-BA</b>								
	<b>DISTRIBUTION LINE STOPPERS 4" LINE STOPPER</b>									
<table border="1" style="width: 100%; border-collapse: collapse;"> <tr> <td style="width: 25%;">Drawn:</td> <td style="width: 25%;">Eng:</td> <td style="width: 25%;">Appr:</td> <td style="width: 25%;">Date:</td> </tr> <tr> <td>CM</td> <td>XX</td> <td>XX</td> <td>5/2017</td> </tr> </table>	Drawn:	Eng:	Appr:	Date:	CM	XX	XX	5/2017	Revision: X Page 4 of 10	
Drawn:	Eng:	Appr:	Date:							
CM	XX	XX	5/2017							

NOTES:

- 1) COAT ALL STEEL PIPE WITH CURRENT APPROVED COATING.

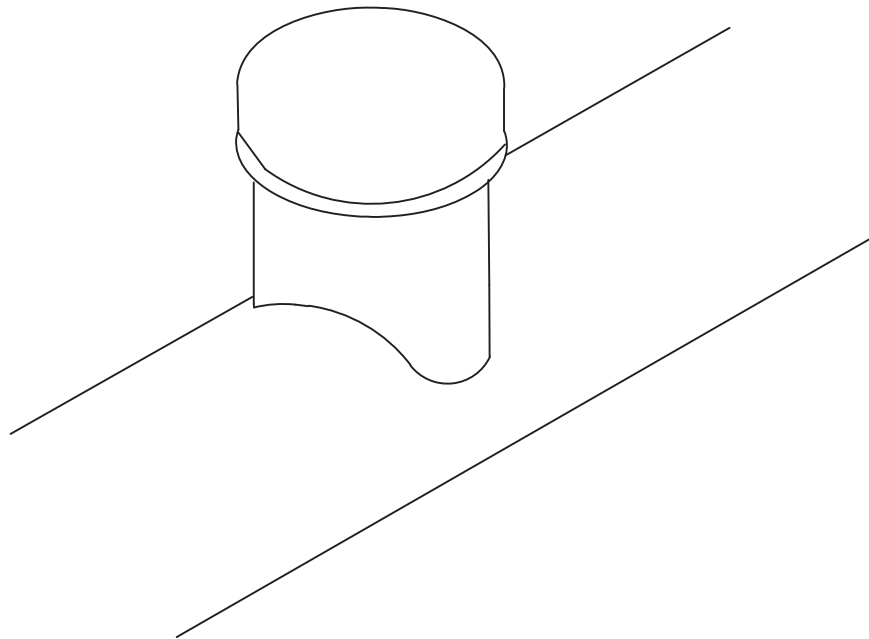


MATERIAL LIST - DLS07G			
ITEM	STOCK #	QTY.	DESCRIPTION
A	45-2044	1.0	STOP 4" BOTTOM/SIDE-OUT SPHERICAL FITTING
B	47-0280	0.25	VALVE PRIMER
C	47-0272	2.0	2" WIDE WAX WRAP TAPE
D	47-0278	2.0	PLASTIC OUTER WRAP


	VOLUME 15 - ENGINEERING & CONSTRUCTION STANDARD		GDL5-BC								
	<b>DISTRIBUTION LINE STOPPERS</b> <b>4" LINE STOPPER BOTTOM/SIDE-OUT</b>										
<table border="1"> <tr> <td>Drawn:</td> <td>Eng:</td> <td>Appr:</td> <td>Date:</td> </tr> <tr> <td>CM</td> <td>XX</td> <td>XX</td> <td>5/2017</td> </tr> </table>	Drawn:	Eng:	Appr:	Date:	CM	XX	XX	5/2017			Revision: X Page 5 of 10
Drawn:	Eng:	Appr:	Date:								
CM	XX	XX	5/2017								

NOTES:

- 1) COAT ALL STEEL PIPE WITH CURRENT APPROVED COATING.

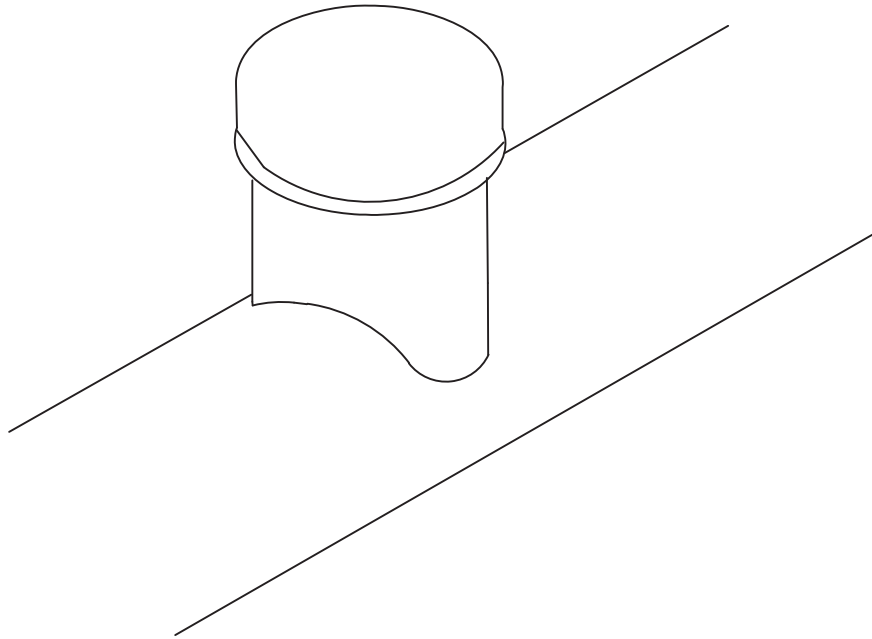


MATERIAL LIST - DLS02G			
ITEM	STOCK #	QTY.	DESCRIPTION
A	45-2041	1.0	STOP 4" HALF FITTING
B	47-0280	.25	VALVE PRIMER
C	47-0272	2.0	2" WIDE WAX WRAP TAPE
D	47-0278	2.0	PLASTIC OUTER WRAP


	<b>VOLUME 15 - ENGINEERING &amp; CONSTRUCTION STANDARD</b>	<b>GDLS-CA</b>								
	<b>DISTRIBUTION LINE STOPPERS 4" OD LINE STOPPER</b>									
<table border="1" style="width: 100%; border-collapse: collapse;"> <tr> <td style="width: 25%;">Drawn:</td> <td style="width: 25%;">Eng:</td> <td style="width: 25%;">Appr:</td> <td style="width: 25%;">Date:</td> </tr> <tr> <td>CM</td> <td>XX</td> <td>XX</td> <td>5/2017</td> </tr> </table>	Drawn:	Eng:	Appr:	Date:	CM	XX	XX	5/2017	Revision: X Page 6 of 10	
Drawn:	Eng:	Appr:	Date:							
CM	XX	XX	5/2017							

NOTES:

- 1) COAT ALL STEEL PIPE WITH CURRENT APPROVED COATING.

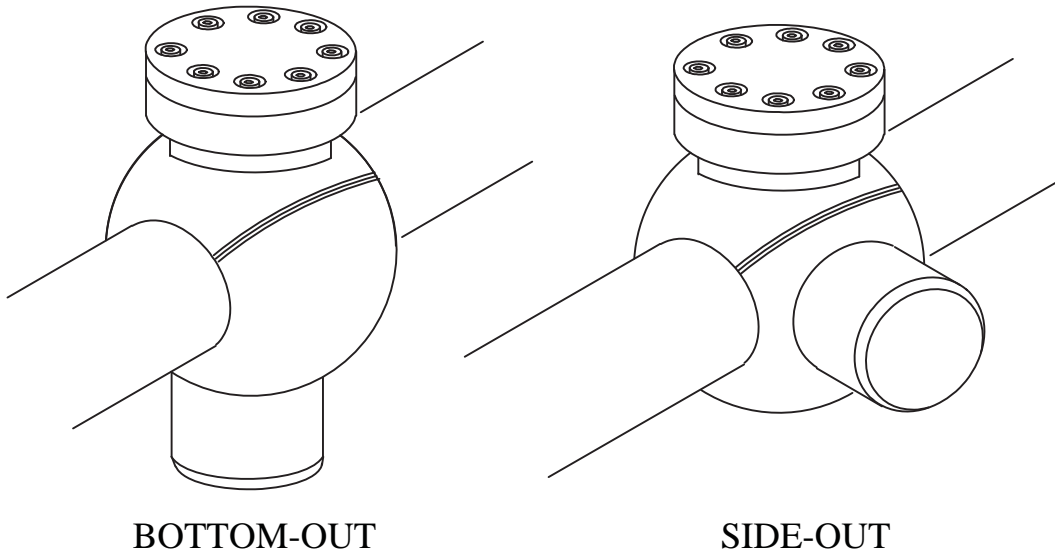


MATERIAL LIST - DLS04G			
ITEM	STOCK #	QTY.	DESCRIPTION
A	45-2056	1.0	STOP 8" HALF FITTING
B	47-0280	0.5	VALVE PRIMER
C	47-0272	8.0	2" WIDE WAX WRAP TAPE
D	47-0278	8.0	PLASTIC OUTER WRAP


	VOLUME 15 - ENGINEERING & CONSTRUCTION STANDARD			GDLS-DA
	<b>DISTRIBUTION LINE STOPPERS 8" LINE STOPPER</b>			
Drawn:	Eng:	Appr:	Date:	Revision: X
CM	XX	XX	5/2017	Page 7 of 10

NOTES:

- 1) COAT ALL STEEL PIPE WITH CURRENT APPROVED COATING.



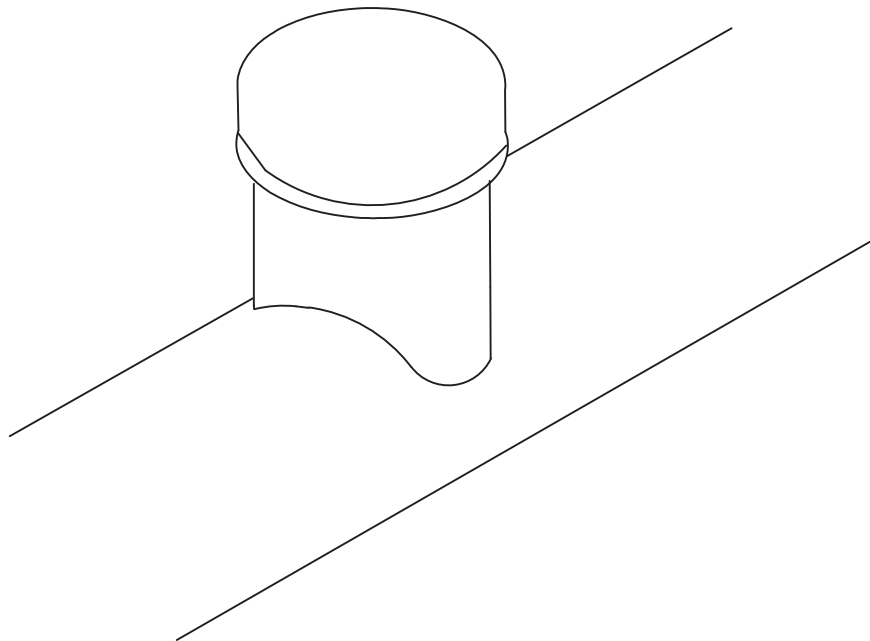
MATERIAL LIST - DLS08G			
ITEM	STOCK #	QTY.	DESCRIPTION
A	45-2054	1.0	STOP 8" BOTTOM/SIDE-OUT SPHERICAL FITTING
B	47-0280	0.5	VALVE PRIMER
C	47-0272	8.0	2" WIDE WAX WRAP TAPE
D	47-0278	8.0	PLASTIC OUTER WRAP

	VOLUME 15 - ENGINEERING & CONSTRUCTION STANDARD			GDLS-DC
	<b>DISTRIBUTION LINE STOPPERS</b> <b>8" LINE STOPPER BOTTOM/SIDE-OUT</b>			
Drawn:	Eng:	Appr:	Date:	Revision: X
CM	XX	XX	5/2017	Page 8 of 10




NOTES:

- 1) COAT ALL STEEL PIPE WITH CURRENT APPROVED COATING.

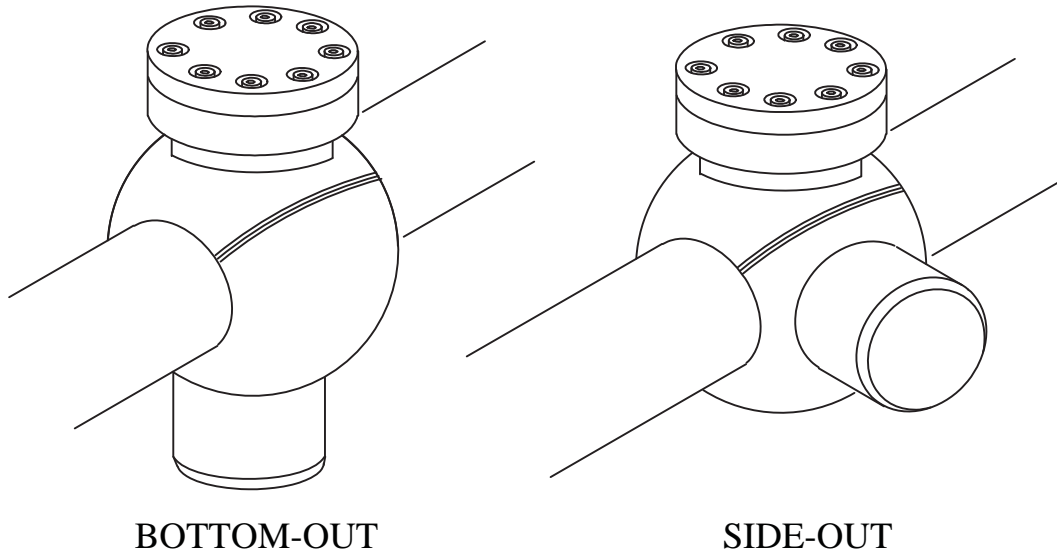


MATERIAL LIST - DB110G			
ITEM	STOCK #	QTY.	DESCRIPTION
A	45-2066	1.0	STOP 8"X12" FOR 12" HALF FITTING
B	47-0280	0.5	VALVE PRIMER
C	47-0272	8.0	2" WIDE WAX WRAP TAPE
D	47-0278	8.0	PLASTIC OUTER WRAP


	<b>VOLUME 15 - ENGINEERING &amp; CONSTRUCTION STANDARD</b>	<b>GDLS-EA</b>								
	<b>DISTRIBUTION LINE STOPPERS 12" LINE STOPPER</b>									
<table border="1" style="width: 100%; border-collapse: collapse;"> <tr> <td style="width: 25%;">Drawn:</td> <td style="width: 25%;">Eng:</td> <td style="width: 25%;">Appr:</td> <td style="width: 25%;">Date:</td> </tr> <tr> <td>CM</td> <td>XX</td> <td>XX</td> <td>5/2017</td> </tr> </table>	Drawn:	Eng:	Appr:	Date:	CM	XX	XX	5/2017	Revision: X Page 9 of 10	
Drawn:	Eng:	Appr:	Date:							
CM	XX	XX	5/2017							

NOTES:

- 1) COAT ALL STEEL PIPE WITH CURRENT APPROVED COATING.



MATERIAL LIST - DLS09G			
ITEM	STOCK #	QTY.	DESCRIPTION
A	45-2064	1.0	STOP 12" BOTTOM/SIDE-OUT SPHERICAL FITTING
B	47-0280	0.5	VALVE PRIMER
C	47-0272	8.0	2" WIDE WAX WRAP TAPE
D	47-0278	8.0	PLASTIC OUTER WRAP

	<b>VOLUME 15 - ENGINEERING &amp; CONSTRUCTION STANDARD</b>		<b>GDLS-EC</b>
	<b>DISTRIBUTION LINE STOPPERS</b> <b>12" LINE STOPPER BOTTOM/SIDE-OUT</b>		
<b>Drawn:</b> CM	<b>Eng:</b> XX	<b>Appr:</b> XX	<b>Date:</b> 5/2017
<b>Revision: X</b> <b>Page 10 of 10</b>			