

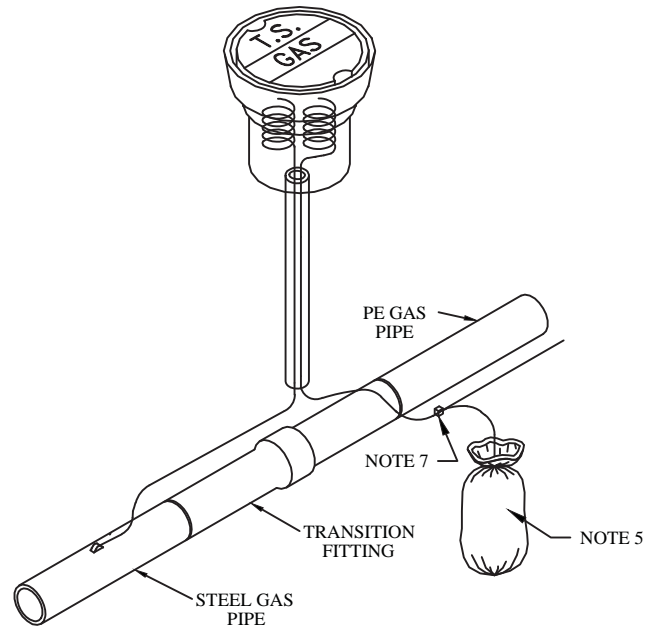
**DISTRIBUTION TRANSITION FITTINGS**

	<u>CU LISTING</u>	<u>PAGE NUMBER</u>
2" STEEL X 2" PE (DTF01)	GDTF-AA	PAGE 2
4" STEEL X 4" PE (DTF02)	GDTF-BB	PAGE 3
8" STEEL X 6" PE (DTF03)	GDTF-CC	PAGE 4

	VOLUME 15 – ENGINEERING & CONSTRUCTION STANDARD			<b>GDTF-XX</b>
	<b>DISTRIBUTION TRANSITION FITTINGS INDEX</b>			
Drawn:	Eng:	Appr:	Date:	Revision: 1
CM	CLD		06/2017	Page 1 of 4

NOTES:

- 1) ALL WIRE CONNECTIONS TO STEEL PIPE TO BE CADWELDED AND COATED WITH CURRENTLY APPROVED COATING.
- 2) TEST LEAD WIRE TO BE LONG ENOUGH TO EXTEND ONE FOOT ABOVE GROUND LEVEL AND SHALL TERMINATE IN VALVE BOX.
- 3) USE 3/4" PVC OR PE AS A LEAD WIRE CONDUCTOR PIPE PLACED APPROXIMATELY 6" ABOVE CARRIER PIPE AND INTO TEST STATION BOX.
- 4) DO NOT CONNECT LEADS.
- 5) ANODE CAN BE INSTALLED VERTICALLY OR HORIZONTALLY BUT MUST HAVE A MINIMAL RADIAL CLEARANCE OF TWO FEET FROM THE STEEL PIPE AND BE POSITIONED AT AN ELEVATION NO HIGHER THAN THE STEEL PIPE.
- 6) TRACER WIRE TO BE INSTALLED ON STEEL PIPE AND ON PE PIPE PER GAS CONSTRUCTION SPECIFICATIONS.
- 7) ALL WIRE SPLICES TO BE MADE USING CURRENT APPROVED TRACER WIRE CONNECTOR.
- 8) COAT ALL STEEL PIPE WITH CURRENT APPROVED COATING.



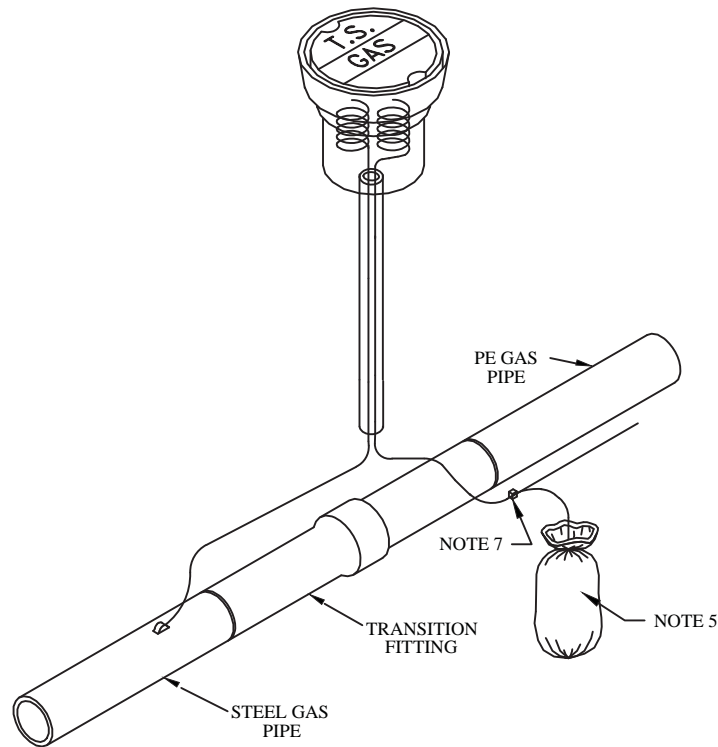
MATERIAL LIST - DTF01G			
ITEM	STOCK #	QTY.	DESCRIPTION
A	45-6010	1.0	TRANSITION FITTING 2" IPS PE340B
B	47-0020	1.0	ANODE MAGNESIUM 3 LB. WITH COVERING
C	45-7600	10.0	WIRE, TRACER BLACK #14
D	45-7500	10.0	WIRE, TRACER YELLOW #14
E	45-7000	1.0	TRACER WIRE CONNECTOR
F	43-0010	1.0	BOX 6" VALVE CAST IRON
G	43-0095	1.0	COVER BOX VALVE GAS 6"
H	47-0038	1.0	CADWELD CHARGE
I	47-0037	1.0	CADWELD SLEEVE

COATING MATERIALS LIST		
STOCK #	QTY	DESCRIPTION
47-0280	0.5	VALVE PRIMER
47-0272	3.0	2" WIDE WAX WRAP TAPE
47-0278	3.0	PLASTIC OUTER WRAP
47-0600	1.0	CADWELD "HANDY-CAP"

	<b>VOLUME 15 - ENGINEERING &amp; CONSTRUCTION STANDARD</b>	<b>GDTF-AA</b>								
	<b>DISTRIBUTION TRANSITION FITTINGS 2" STEEL X 2" PE</b>									
<table border="1" style="width: 100%; border-collapse: collapse;"> <tr> <td style="width: 25%;">Drawn:</td> <td style="width: 25%;">Eng:</td> <td style="width: 25%;">Appr:</td> <td style="width: 25%;">Date:</td> </tr> <tr> <td>CM</td> <td>XX</td> <td>XX</td> <td>5/2017</td> </tr> </table>	Drawn:	Eng:	Appr:	Date:	CM	XX	XX	5/2017	Revision: X Page 2 of 4	
Drawn:	Eng:	Appr:	Date:							
CM	XX	XX	5/2017							

NOTES:

- 1) ALL WIRE CONNECTIONS TO STEEL PIPE TO BE CADWELDED AND COATED WITH CURRENTLY APPROVED COATING.
- 2) TEST LEAD WIRE TO BE LONG ENOUGH TO EXTEND ONE FOOT ABOVE GROUND LEVEL AND SHALL TERMINATE IN VALVE BOX.
- 3) USE 3/4" PVC OR PE AS A LEAD WIRE CONDUCTOR PIPE PLACED APPROXIMATELY 6" ABOVE CARRIER PIPE AND INTO TEST STATION BOX.
- 4) DO NOT CONNECT LEADS.
- 5) ANODE CAN BE INSTALLED VERTICALLY OR HORIZONTALLY BUT MUST HAVE A MINIMAL RADIAL CLEARANCE OF TWO FEET FROM THE STEEL PIPE AND BE POSITIONED AT AN ELEVATION NO HIGHER THAN THE STEEL PIPE.
- 6) TRACER WIRE TO BE INSTALLED ON STEEL PIPE AND ON PE PIPE PER GAS CONSTRUCTION SPECIFICATIONS.
- 7) ALL WIRE SPLICES TO BE MADE USING CURRENT APPROVED TRACER WIRE CONNECTOR.
- 8) COAT ALL STEEL PIPE WITH CURRENT APPROVED COATING.



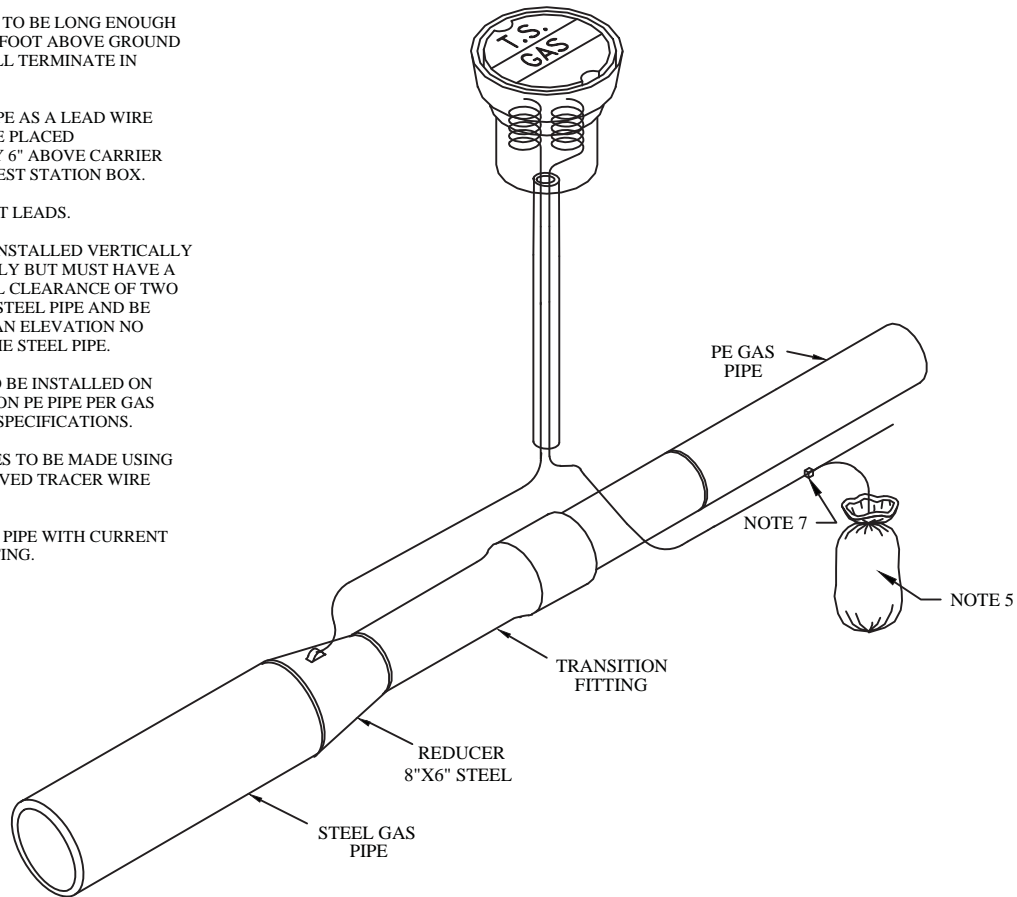
COATING MATERIALS LIST		
STOCK #	QTY	DESCRIPTION
47-0280	0.5	VALVE PRIMER
47-0272	3.0	2" WIDE WAX WRAP TAPE
47-0278	3.0	PLASTIC OUTER WRAP
47-0600	1.0	CADWELD "HANDY-CAP"

MATERIAL LIST - DTF02G			
ITEM	STOCK #	QTY.	DESCRIPTION
A	45-6020	1.0	TRANSITION FITTING 4" IPS PE340B
B	47-0020	1.0	ANODE MAGNESIUM 3 LB. WITH COVERING
C	45-7600	10.0	WIRE, TRACER BLACK #14
D	45-7500	10.0	WIRE, TRACER YELLOW #14
E	45-7000	1.0	TRACER WIRE CONNECTOR
F	43-0010	1.0	BOX 6" VALVE CAST IRON
G	43-0095	1.0	COVER BOX VALVE GAS 6"
H	47-0038	1.0	CADWELD CHARGE
I	47-0037	1.0	CADWELD SLEEVE

	VOLUME 15 - ENGINEERING & CONSTRUCTION STANDARD	GDTF-BB							
	DISTRIBUTION TRANSITION FITTINGS 4" STEEL X 4" PE								
<table border="1" style="width: 100%; border-collapse: collapse;"> <tr> <td style="width: 25%;">Drawn:</td> <td style="width: 25%;">Eng:</td> <td style="width: 25%;">Appr:</td> <td style="width: 25%;">Date:</td> </tr> <tr> <td>CM</td> <td>XX</td> <td>XX</td> <td>5/2017</td> </tr> </table>	Drawn:	Eng:	Appr:	Date:	CM	XX	XX	5/2017	Revision: X Page 3 of 4
Drawn:	Eng:	Appr:	Date:						
CM	XX	XX	5/2017						

NOTES:

- 1) ALL WIRE CONNECTIONS TO STEEL PIPE TO BE CADWELDED AND COATED WITH CURRENTLY APPROVED COATING.
- 2) TEST LEAD WIRE TO BE LONG ENOUGH TO EXTEND ONE FOOT ABOVE GROUND LEVEL AND SHALL TERMINATE IN VALVE BOX.
- 3) USE 3/4" PVC OR PE AS A LEAD WIRE CONDUCTOR PIPE PLACED APPROXIMATELY 6" ABOVE CARRIER PIPE AND INTO TEST STATION BOX.
- 4) DO NOT CONNECT LEADS.
- 5) ANODE CAN BE INSTALLED VERTICALLY OR HORIZONTALLY BUT MUST HAVE A MINIMAL RADIAL CLEARANCE OF TWO FEET FROM THE STEEL PIPE AND BE POSITIONED AT AN ELEVATION NO HIGHER THAN THE STEEL PIPE.
- 6) TRACER WIRE TO BE INSTALLED ON STEEL PIPE AND ON PE PIPE PER GAS CONSTRUCTION SPECIFICATIONS.
- 7) ALL WIRE SPLICES TO BE MADE USING CURRENT APPROVED TRACER WIRE CONNECTOR.
- 8) COAT ALL STEEL PIPE WITH CURRENT APPROVED COATING.



MATERIAL LIST - DTF03G			
ITEM	STOCK #	QTY.	DESCRIPTION
A	45-6025	1.0	TRANSITION FITTING 6" IPS PE340B
B	45-3030	1.0	REDUCER 8"X6" WELDING
C	47-0020	1.0	ANODE MAGNESIUM 3 LB. WITH COVERING
D	45-7600	10.0	WIRE, TRACER BLACK #14
E	45-7500	10.0	WIRE, TRACER YELLOW #14
F	19-1670	1.0	CONN SPLIT/BOLT COPPER MAX #10 STR
G	43-0010	1.0	BOX 6" VALVE CAST IRON
H	43-0095	1.0	COVER BOX VALVE GAS 6"
I	47-0038	1.0	CADWELD CHARGE
J	47-0037	1.0	CADWELD SLEEVE

COATING MATERIALS LIST		
STOCK #	QTY	DESCRIPTION
47-0280	0.5	VALVE PRIMER
47-0272	3.0	2" WIDE WAX WRAP TAPE
47-0278	3.0	PLASTIC OUTER WRAP
47-0600	1.0	CADWELD "HANDY-CAP"

	VOLUME 15 - ENGINEERING & CONSTRUCTION STANDARD	GDTF-CC							
	DISTRIBUTION TRANSITION FITTINGS 8" STEEL X 6" PE								
<table border="1" style="width: 100%; border-collapse: collapse;"> <tr> <td style="width: 25%;">Drawn:</td> <td style="width: 25%;">Eng:</td> <td style="width: 25%;">Appr:</td> <td style="width: 25%;">Date:</td> </tr> <tr> <td>CM</td> <td>XX</td> <td>XX</td> <td>5/2017</td> </tr> </table>	Drawn:	Eng:	Appr:	Date:	CM	XX	XX	5/2017	Revision: X Page 4 of 4
Drawn:	Eng:	Appr:	Date:						
CM	XX	XX	5/2017						