


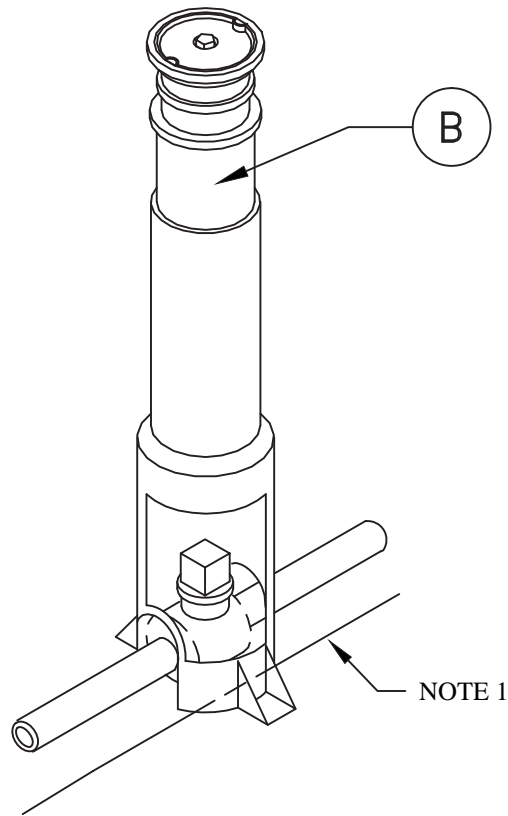
DISTRIBUTION VALVE INSTALLATION

	<u>CU LISTING</u>	<u>PAGE NUMBER</u>
2" PE (DVI01)	GDVI-AA	PAGE 2
4" PE (DVI02)	GDVI-AB	PAGE 3
6" PE (DVI03)	GDVI-AC	PAGE 4
8" STEEL (DVI04)	GDVI-BD	PAGE 5
12" STEEL (DVI05)	GDVI-BE	PAGE 6


	VOLUME 15 – ENGINEERING & CONSTRUCTION STANDARD			GDVI-XX
	DISTRIBUTION VALVE INSTALLATIONS INDEX			
Drawn:	Eng:	Appr:	Date:	Revision: 1
CM	CLD		06/2017	Page 1 of 6

NOTES:

- 1) TRACER WIRE TO BE INSTALLED ON PE PIPE PER GAS CONSTRUCTION SPECIFICATIONS.
- 2) ALL WIRE SPLICES TO BE MADE USING CURRENT APPROVED TRACER WIRE CONNECTOR.

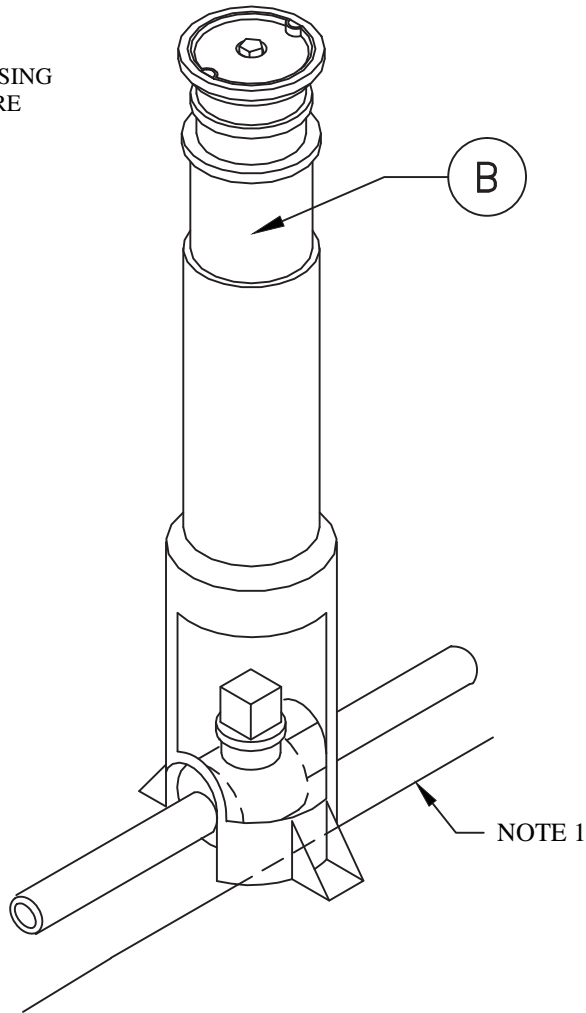


MATERIALS LIST - DVI01G			
ITEM	STOCK #	QTY	DESCRIPTION
A	43-2030	1.0	VALVE 2" PE3408
B	43-0018	1.0	BOX 1-1/4" AND 2" PE VALVES TRAFFIC RATED H-20


	VOLUME 15 - ENGINEERING & CONSTRUCTION STANDARD		GDVI-AA
	DISTRIBUTION VALVE INSTALLATIONS 2" PE VALVE		
Drawn: CM	Eng: XX	Appr: XX	Date: 5/2017
			Revision: X Page 2 of 6

NOTES:

- 1) TRACER WIRE TO BE INSTALLED ON PE PIPE PER GAS CONSTRUCTION SPECIFICATIONS.
- 2) ALL WIRE SPLICES TO BE MADE USING CURRENT APPROVED TRACER WIRE CONNECTOR.

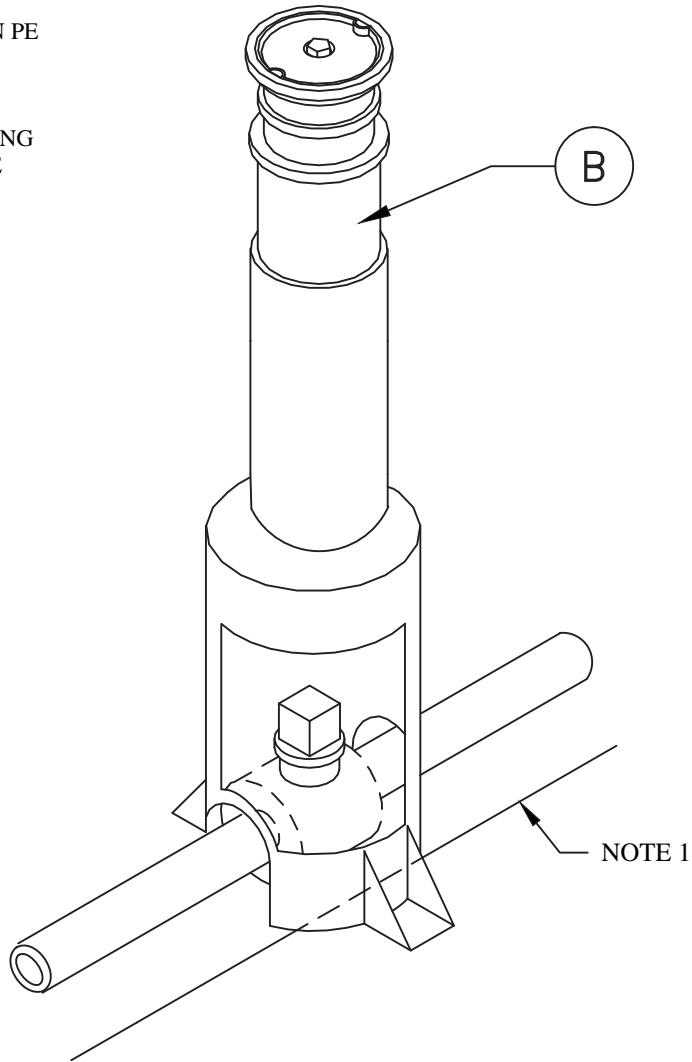


MATERIALS LIST - DVI02G			
ITEM	STOCK #	QTY	DESCRIPTION
A	43-2040	1.0	VALVE 4" PE3408
B	43-0020	1.0	BOX 3" AND 4" PE VALVES TRAFFIC RATED H-20


	VOLUME 15 - ENGINEERING & CONSTRUCTION STANDARD		GDVI-AB
	DISTRIBUTION VALVE INSTALLATIONS 4" PE VALVE		
Drawn:	Eng:	Appr:	Date:
CM	XX	XX	5/2017
			Revision: X Page 3 of 6

NOTES:

- 1) TRACER WIRE TO BE INSTALLED ON PE PIPE PER GAS CONSTRUCTION SPECIFICATIONS.
- 2) ALL WIRE SPLICES TO BE MADE USING CURRENT APPROVED TRACER WIRE CONNECTOR.

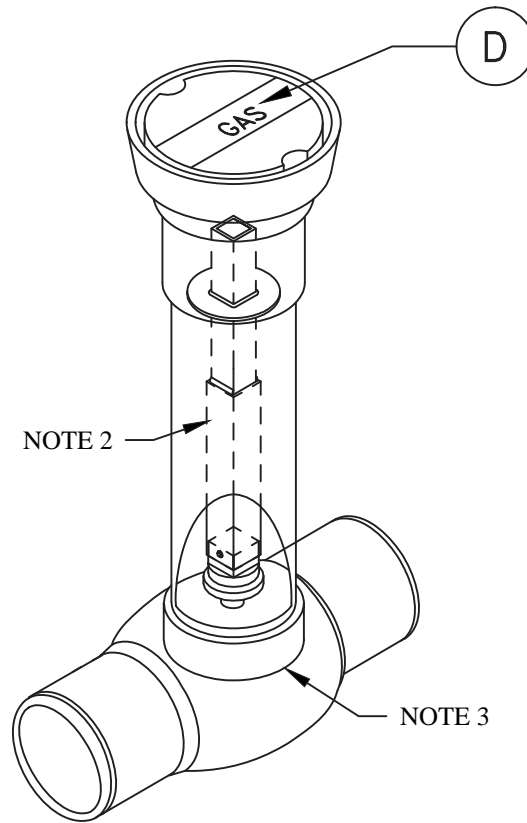


MATERIALS LIST - DVI03G			
ITEM	STOCK #	QTY	DESCRIPTION
A	43-2042	1.0	VALVE 6" PE3408
B	43-0025	1.0	BOX 6" PE VALVES TRAFFIC RATED H-20

	VOLUME 15 - ENGINEERING & CONSTRUCTION STANDARD	GDVI-AC									
	DISTRIBUTION VALVE INSTALLATIONS 6" PE VALVE		Revision: X Page 4 of 6								
<table border="1" style="width: 100%; border-collapse: collapse;"> <tr> <td style="width: 25%;">Drawn:</td> <td style="width: 25%;">Eng:</td> <td style="width: 25%;">Appr:</td> <td style="width: 25%;">Date:</td> </tr> <tr> <td>CM</td> <td>XX</td> <td>XX</td> <td>5/2017</td> </tr> </table>	Drawn:	Eng:	Appr:	Date:	CM	XX	XX	5/2017			
Drawn:	Eng:	Appr:	Date:								
CM	XX	XX	5/2017								

NOTES:

- 1) COAT ALL STEEL PIPE AND VALVE WITH CURRENT APPROVED COATING.
- 2) INSTALL EXTENSION VALVE INDICATOR.
- 3) INSTALL VALVE BOX STABILIZER.



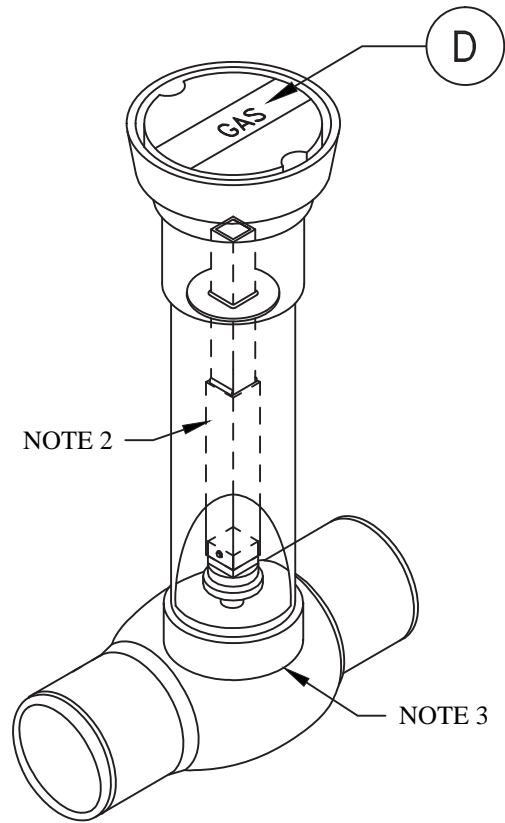
COATING MATERIALS LIST		
STOCK #	QTY	DESCRIPTION
47-0280	1.0	VALVE PRIMER
47-0276	2.0	VALVE FILLER
47-0272	10.0	2" WIDE WAX WRAP TAPE
47-0278	10.0	PLASTIC OUTER WRAP

MATERIALS LIST - DVI04G			
ITEM	STOCK #	QTY	DESCRIPTION
A	43-0148	1.0	VALVE 8" WELD ENDS
B	43-0035	1.0	EXTENSION STEEL VALVE INDICATOR
C	43-0010	1.0	BOX 6" VALVE CAST IRON
D	43-0095	1.0	COVER BOX VALVE GAS 6"
E	41-3000	3.0	PIPE PVC 6" SEWER 6.275 O.D. SDR 35 FOR VALVES
F	43-0034	1.0	VALVE BOX STABILIZER

	VOLUME 15 - ENGINEERING & CONSTRUCTION STANDARD			GDVI-BD
	DISTRIBUTION VALVE INSTALLATIONS 8" STEEL VALVE			
Drawn: CM Eng: XX Appr: XX Date: 5/2017				Revision: X Page 5 of 6


NOTES:

- 1) COAT ALL STEEL PIPE AND VALVE WITH CURRENT APPROVED COATING.
- 2) INSTALL EXTENSION VALVE INDICATOR.
- 3) INSTALL VALVE BOX STABILIZER.



COATING MATERIALS LIST		
STOCK #	QTY	DESCRIPTION
47-0280	1.0	VALVE PRIMER
47-0276	2.0	VALVE FILLER
47-0272	10.0	2" WIDE WAX WRAP TAPE
47-0278	10.0	PLASTIC OUTER WRAP

MATERIALS LIST - DVI05G			
ITEM	STOCK #	QTY	DESCRIPTION
A	43-0158	1.0	VALVE 12" WELD ENDS
B	43-0035	1.0	EXTENSION STEEL VALVE INDICATOR
C	43-0010	1.0	BOX 6" VALVE CAST IRON
D	43-0095	1.0	COVER BOX VALVE GAS 6"
E	41-3000	3.0	PIPE PVC 6" SEWER 6.275 O.D. SDR 35 FOR VALVES
F	43-0034	1.0	VALVE BOX STABILIZER

	VOLUME 15 - ENGINEERING & CONSTRUCTION STANDARD			GDVI-BE
	DISTRIBUTION VALVE INSTALLATIONS 12" STEEL VALVE			
Drawn:	Eng:	Appr:	Date:	Revision: X
CM	XX	XX	5/2017	Page 6 of 6