
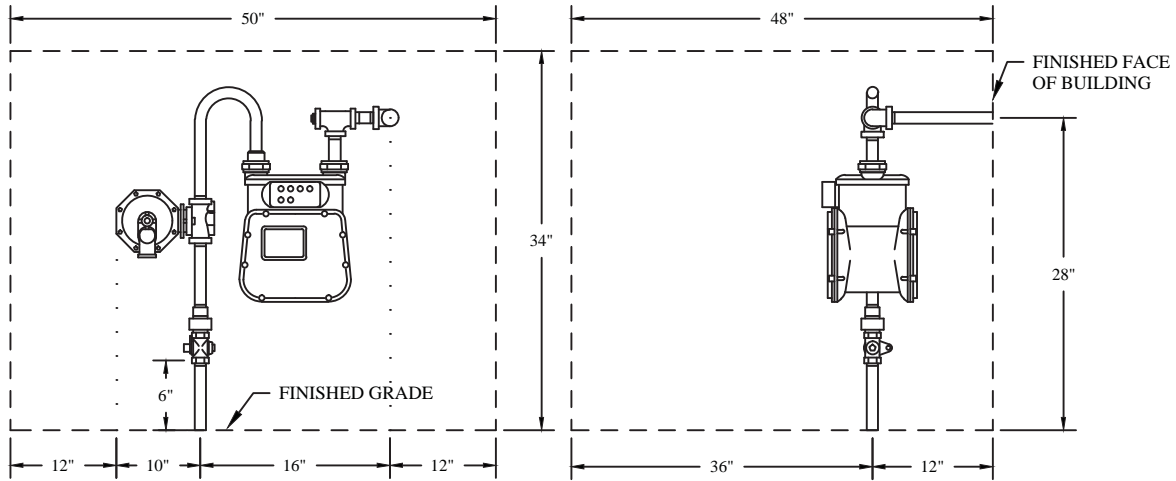


GAS METER INSTALLATION

	<u>RISER</u>	<u>CU LISTING</u>	<u>PAGE NUMBER</u>
<u>250 CFH</u>			
1 METER (GMI01)	¾"	GGMI-AAA	PAGE 2
2 METERS (GMI02)	¾"	GGMI-ABA	PAGE 3
3 METERS (GMI03)	1"	GGMI-ACB	PAGE 4
4 METERS (GMI04)	1"	GGMI-ADB	PAGE 5
4 METERS STACKED (GMI05)	1"	GGMI-AEB	PAGE 6
5 METERS (GMI06)	1"	GGMI-AFB	PAGE 7
6 METERS (GMI07)	1-1/4"	GGMI-AGC	PAGE 8
6 METERS STACKED (GMI08)	1-1/4"	GGMI-AHC	PAGE 9
7 METERS (GMI09)	1-1/4"	GGMI-AIC	PAGE 10
8 METERS (GMI10)	1-1/4"	GGMI-AJC	PAGE 11
8 METERS STACKED (GMI11)	1-1/4"	GGMI-AKC	PAGE 12
10 METERS STACKED (GMI12)	1-1/4"	GGMI-ALC	PAGE 13
12 METERS STACKED (GMI13)	1-1/4"	GGMI-AMC	PAGE 15
14 METERS STACKED (GMI14)	1-1/4"	GGMI-ANC	PAGE 17
16 METERS STACKED (GMI15)	1-1/4"	GGMI-AOC	PAGE 19
<u>LARGER METER SETS</u>			
425 CFH (GMI17)	1"	GGMI-BAB	PAGE 21
630 CFH (GMI19)	1"	GGMI-CAB	PAGE 22
1000 CFH (GMI25)	1-1/4"	GGMI-FAC	PAGE 23
2 M (GMI28)	1-1/4"	GGMI-GAC	PAGE 24
3 M (GMI29)	1-1/4"	GGMI-HAC	PAGE 26
5 M (GMI33)	2"	GGMI-JAD	PAGE 28
7 M (GMI34)	2"	GGMI-LAD	PAGE 30
11 M (GMI36)	2"	GGMI-MAD	PAGE 32

	VOLUME 15 – ENGINEERING & CONSTRUCTION STANDARD			GGMI-XXX
	GAS METER INSTALLATIONS INDEX			
Drawn:	Eng:	Appr:	Date:	Revision: 1
CM	CLD		06/2017	Page 1 of 33

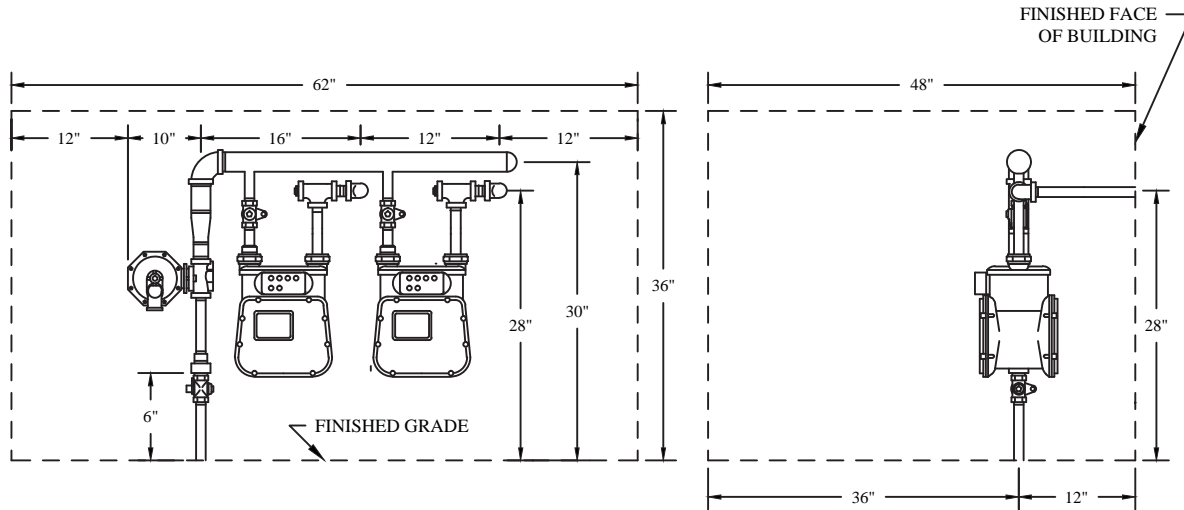


NOTES:

- 1) THIS COMPATIBLE UNIT REQUIRES A 3/4" RISER.
- 2) DASHED LINE REPRESENTS MINIMUM SPACE REQUIREMENTS FOR THIS METER SET.
- 3) REGULATOR AND ORIFICE TO BE SIZED AND DISTRIBUTED BY THE GAS METER SHOP.
- 4) CUSTOMER SHALL STUB OUT HOUSE LINE 4" FROM FINISH FACE OF BUILDING AND INSTALL A 3/4" 90 DEGREE ELBOW HAND TIGHT.
- 5) DIMENSIONS ABOVE ARE MINIMUM REQUIREMENTS FOR METER ACCESSIBILITY. ADDITIONAL GAS METER LOCATION REQUIREMENTS IN SECTION 6 OF THIS VOLUME MUST ALSO BE ADHERED TO.

MATERIALS LIST - GMI01G			
ITEM	STOCK #	QTY	DESCRIPTION
A	45-1202	1.0	NIPPLE PIPE 3/4" X 8" BLACK
B	45-1100	1.0	METER LOOP SWIVEL 3/4"
C	45-1140	1.0	NIPPLE PIPE 3/4" X 3" BLACK
D	45-0720	1.0	ELBOW BLACK 90 DEGREE 3/4"
E	45-1206	1.0	NIPPLE PIPE 3/4" X 12" BLACK
F	45-2100	1.0	TEE PIPE 3/4" BLACK
G	45-1710	1.0	PLUG PIPE 3/4" BLACK


	VOLUME 15 - ENGINEERING & CONSTRUCTION STANDARD	GGMI-AAA							
	GAS METER INSTALLATIONS 250 CFH 1 METER								
<table border="1" style="width: 100%; border-collapse: collapse;"> <tr> <td style="width: 25%;">Drawn:</td> <td style="width: 25%;">Eng:</td> <td style="width: 25%;">Appr:</td> <td style="width: 25%;">Date:</td> </tr> <tr> <td>CM</td> <td>CLD</td> <td>XX</td> <td>5/2017</td> </tr> </table>	Drawn:	Eng:	Appr:	Date:	CM	CLD	XX	5/2017	Revision: X Page 2 of 33
Drawn:	Eng:	Appr:	Date:						
CM	CLD	XX	5/2017						

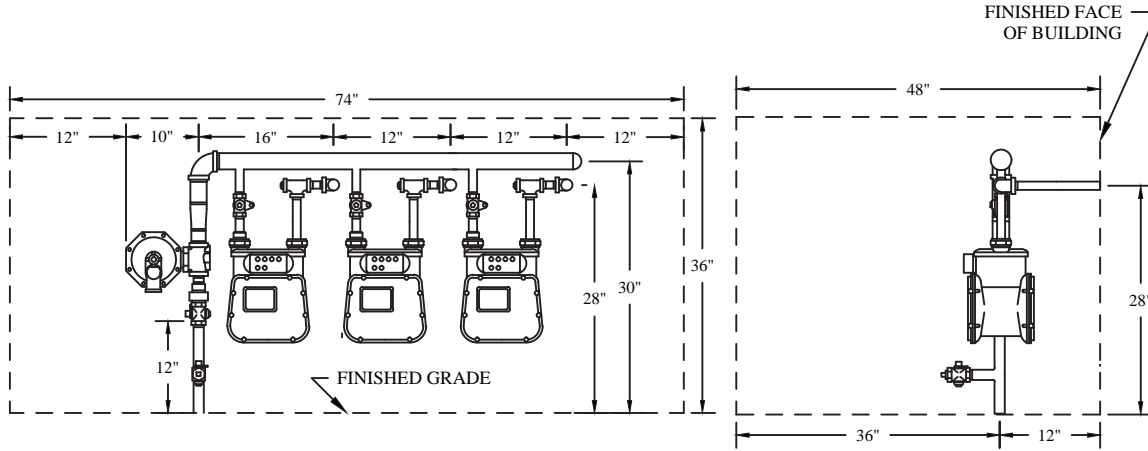


NOTES:

- 1) THIS COMPATIBLE UNIT REQUIRES A 3/4" RISER.
- 2) DASHED LINE REPRESENTS MINIMUM SPACE REQUIREMENTS FOR THIS METER SET.
- 3) REGULATOR AND ORIFICE TO BE SIZED AND DISTRIBUTED BY THE GAS METER SHOP.
- 4) HOUSE LINES MUST HAVE METAL TAG STAMPED WITH ADDRESS.
- 5) CUSTOMER SHALL STUB OUT HOUSE LINE 4" FROM FINISH FACE OF BUILDING AND INSTALL 3/4" 90 DEGREE ELBOWS HAND TIGHT.
- 6) DIMENSIONS ABOVE ARE MINIMUM REQUIREMENTS FOR METER ACCESSIBILITY. ADDITIONAL GAS METER LOCATION REQUIREMENTS IN SECTION 6 OF THIS VOLUME MUST ALSO BE ADHERED TO.

MATERIALS LIST - GMI02G			
ITEM	STOCK #	QTY	DESCRIPTION
A	45-1202	1.0	NIPPLE PIPE 3/4" X 8" BLACK
B	45-1100	2.0	METER LOOP SWIVEL 3/4"
C	45-1810	1.0	REDUCER 2" X 3/4" BLACK
D	45-1530	1.0	NIPPLE PIPE 2" X 3" BLACK
E	45-0760	1.0	ELBOW BLACK 90 DEGREE 2"
F	45-1102	1.0	MANIFOLD 2-METER 2" SCH 40 PIPE W/3" X 3/4" OUTLETS
G	43-0040	2.0	COCK GAS METER 3/4"
H	45-0720	2.0	ELBOW BLACK 90 DEGREE 3/4"
I	45-1206	2.0	NIPPLE PIPE 3/4" X 12" BLACK
J	45-2100	2.0	TEE PIPE 3/4" BLACK
K	45-1710	2.0	PLUG PIPE 3/4" BLACK

	VOLUME 15 - ENGINEERING & CONSTRUCTION STANDARD			GGMI-ABA
	GAS METER INSTALLATIONS 250 CFH 2 METER			
Drawn:	Eng:	Appr:	Date:	Revision: X
CM	CLD	XX	5/2017	Page 3 of 33

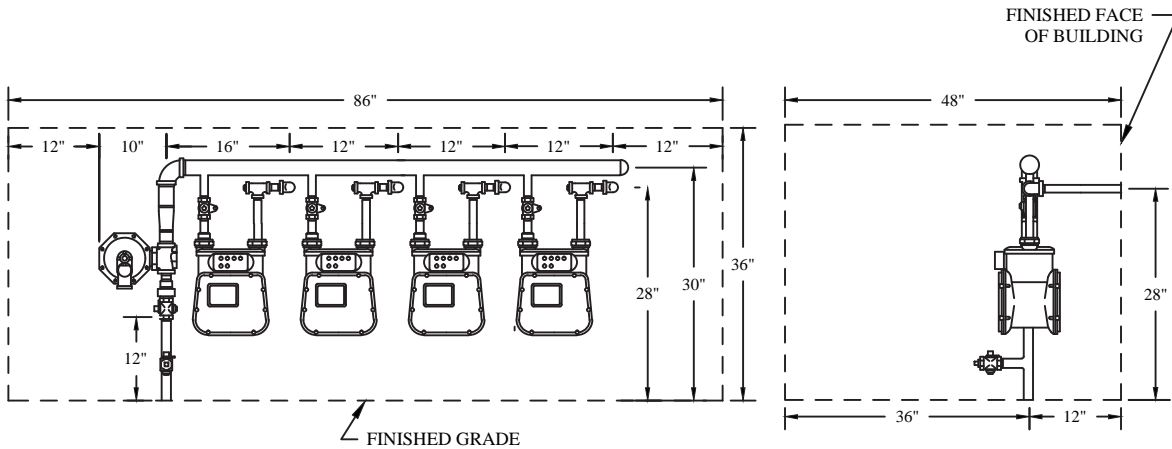


NOTES:

- 1) THIS COMPATIBLE UNIT REQUIRES A 1" RISER.
- 2) DASHED LINE REPRESENTS MINIMUM SPACE REQUIREMENTS FOR THIS METER SET.
- 3) REGULATOR AND ORIFICE TO BE SIZED AND DISTRIBUTED BY THE GAS METER SHOP.
- 4) HOUSE LINES MUST HAVE METAL TAG STAMPED WITH ADDRESS.
- 5) CUSTOMER SHALL STUB OUT HOUSE LINE 4" FROM FINISH FACE OF BUILDING AND INSTALL 3/4" 90 DEGREE ELBOWS HAND TIGHT.
- 6) DIMENSIONS ABOVE ARE MINIMUM REQUIREMENTS FOR METER ACCESSIBILITY. ADDITIONAL GAS METER LOCATION REQUIREMENTS IN SECTION 6 OF THIS VOLUME MUST ALSO BE ADHERED TO.

MATERIALS LIST - GMI03G			
ITEM	STOCK #	QTY	DESCRIPTION
A	45-1202	1.0	NIPPLE PIPE 3/4" X 8" BLACK
B	45-1310	1.0	NIPPLE PIPE 1 1/4" X 1 1/2" BLACK
C	45-1830	1.0	REDUCER 2" X 1 1/4" BLACK
D	45-1530	1.0	NIPPLE PIPE 2" X 3" BLACK
E	45-0760	1.0	ELBOW BLACK 90 DEGREE 2"
F	45-1103	1.0	MANIFOLD 3-METER 2" SCH 40 PIPE W/3" X 3/4" OUTLETS
G	43-0040	3.0	COCK GAS METER 3/4"
H	45-0720	3.0	ELBOW BLACK 90 DEGREE 3/4"
I	45-1110	3.0	NIPPLE PIPE 3/4" X 1 1/2" BLACK
J	45-1206	3.0	NIPPLE PIPE 3/4" X 12" BLACK
K	45-2100	3.0	TEE PIPE 3/4" BLACK
L	45-1710	3.0	PLUG PIPE 3/4" BLACK

	VOLUME 15 - ENGINEERING & CONSTRUCTION STANDARD	GGMI-ACB							
	GAS METER INSTALLATIONS 250 CFH 3 METER								
<table border="1" style="width: 100%; border-collapse: collapse;"> <tr> <td style="width: 25%;">Drawn:</td> <td style="width: 25%;">Eng:</td> <td style="width: 25%;">Appr:</td> <td style="width: 25%;">Date:</td> </tr> <tr> <td>CM</td> <td>CLD</td> <td>XX</td> <td>5/2017</td> </tr> </table>	Drawn:	Eng:	Appr:	Date:	CM	CLD	XX	5/2017	Revision: X Page 4 of 33
Drawn:	Eng:	Appr:	Date:						
CM	CLD	XX	5/2017						

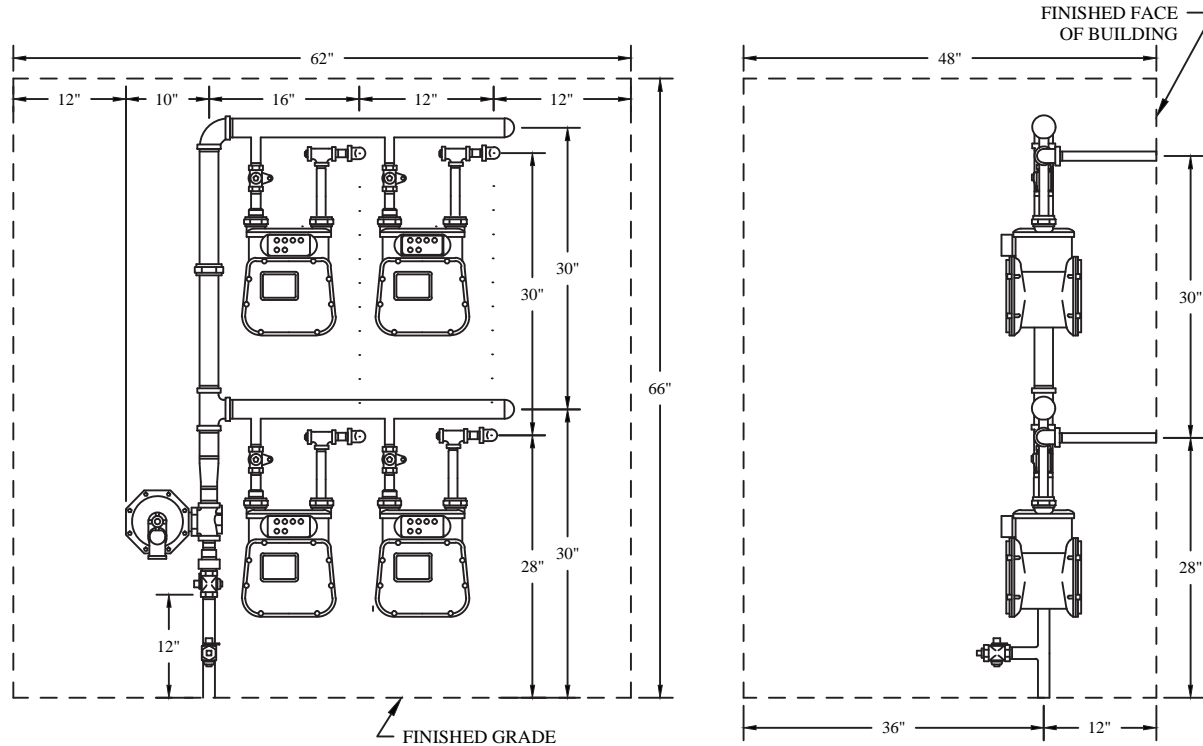


NOTES:

- 1) THIS COMPATIBLE UNIT REQUIRES A 1" RISER.
- 2) DASHED LINE REPRESENTS MINIMUM SPACE REQUIREMENTS FOR THIS METER SET.
- 3) REGULATOR AND ORIFICE TO BE SIZED AND DISTRIBUTED BY THE GAS METER SHOP.
- 4) HOUSE LINES MUST HAVE METAL TAG STAMPED WITH ADDRESS.
- 5) CUSTOMER SHALL STUB OUT HOUSE LINE 4" FROM FINISH FACE OF BUILDING AND INSTALL 3/4" 90 DEGREE ELBOWS HAND TIGHT.
- 6) DIMENSIONS ABOVE ARE MINIMUM REQUIREMENTS FOR METER ACCESSIBILITY. ADDITIONAL GAS METER LOCATION REQUIREMENTS IN SECTION 6 OF THIS VOLUME MUST ALSO BE ADHERED TO.

MATERIALS LIST - GMI04G			
ITEM	STOCK #	QTY	DESCRIPTION
A	45-1210	1.0	NIPPLE PIPE 1" X 1 1/2" BLACK
B	45-1310	1.0	NIPPLE PIPE 1 1/4" X 1 1/2" BLACK
C	45-1830	1.0	REDUCER 2" X 1 1/4" BLACK
D	45-1530	1.0	NIPPLE PIPE 2" X 3" BLACK
E	45-0760	1.0	ELBOW BLACK 90 DEGREE 2"
F	45-1104	1.0	MANIFOLD 4-METER 2" SCH 40 PIPE W/3" X 3/4" OUTLETS
G	43-0040	4.0	COCK GAS METER 3/4"
H	45-0720	4.0	ELBOW BLACK 90 DEGREE 3/4"
I	45-1110	4.0	NIPPLE PIPE 3/4" X 1 1/2" BLACK
J	45-1206	4.0	NIPPLE PIPE 3/4" X 12" BLACK
K	45-2100	4.0	TEE PIPE 3/4" BLACK
L	45-1710	4.0	PLUG PIPE 3/4" BLACK

	VOLUME 15 - ENGINEERING & CONSTRUCTION STANDARD	GGMI-ADB							
	GAS METER INSTALLATIONS 250 CFH 4 METER								
<table border="1" style="width: 100%; border-collapse: collapse;"> <tr> <td style="width: 25%;">Drawn:</td> <td style="width: 25%;">Eng:</td> <td style="width: 25%;">Appr:</td> <td style="width: 25%;">Date:</td> </tr> <tr> <td>CM</td> <td>CLD</td> <td>XX</td> <td>5/2017</td> </tr> </table>	Drawn:	Eng:	Appr:	Date:	CM	CLD	XX	5/2017	Revision: X Page 5 of 33
Drawn:	Eng:	Appr:	Date:						
CM	CLD	XX	5/2017						

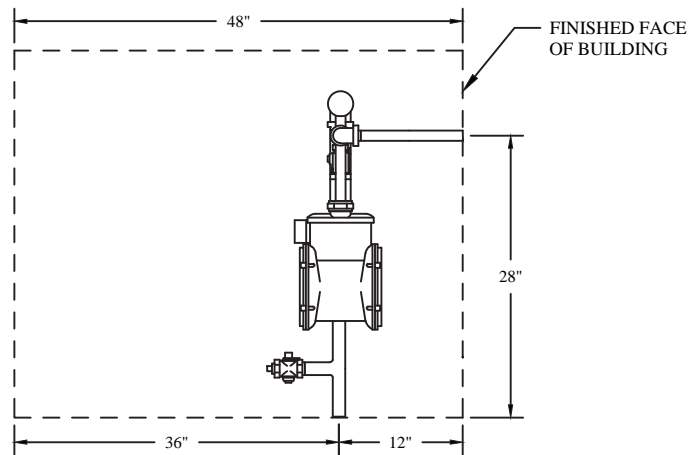
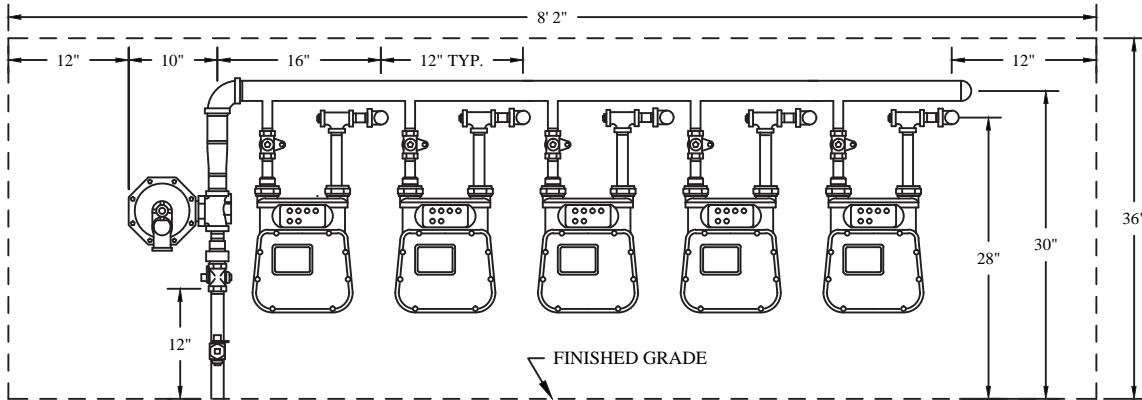


NOTES:

- 1) THIS COMPATIBLE UNIT REQUIRES A 1" RISER.
- 2) DASHED LINE REPRESENTS MINIMUM SPACE REQUIREMENTS FOR THIS METER SET.
- 3) REGULATOR AND ORIFICE TO BE SIZED AND DISTRIBUTED BY THE GAS METER SHOP.
- 4) HOUSE LINES MUST HAVE METAL TAG STAMPED WITH ADDRESS.
- 5) CUSTOMER SHALL STUB OUT HOUSE LINE 4" FROM FINISH FACE OF BUILDING AND INSTALL 3/4" 90 DEGREE ELBOWS HAND TIGHT.
- 6) DIMENSIONS ABOVE ARE MINIMUM REQUIREMENTS FOR METER ACCESSIBILITY. ADDITIONAL GAS METER LOCATION REQUIREMENTS IN SECTION 6 OF THIS VOLUME MUST ALSO BE ADHERED TO.

MATERIALS LIST - GMI05G			
ITEM	STOCK #	QTY	DESCRIPTION
A	45-1210	1.0	NIPPLE PIPE 1" X 1 1/2" BLACK
B	45-1310	1.0	NIPPLE PIPE 1 1/4" X 1 1/2" BLACK
C	45-1830	1.0	REDUCER 2" X 1 1/4" BLACK
D	45-1530	1.0	NIPPLE PIPE 2" X 3" BLACK
E	45-2140	1.0	TEE PIPE 2" BLACK
F	45-1600	2.0	NIPPLE PIPE 2" X 12" BLACK
G	45-2360	1.0	UNION PIPE 2" BLACK
H	45-0760	1.0	ELBOW BLACK 90 DEGREE 2"
I	45-1102	2.0	MANIFOLD 2-METER 2" SCH 40 PIPE W/3" X 3/4" OUTLETS
J	43-0040	4.0	COCK GAS METER 3/4"
K	45-0720	4.0	ELBOW BLACK 90 DEGREE 3/4"
L	45-1110	4.0	NIPPLE PIPE 3/4" X 1 1/2" BLACK
M	45-1206	4.0	NIPPLE PIPE 3/4" X 12" BLACK
N	45-2100	4.0	TEE PIPE 3/4" BLACK
O	45-1710	4.0	PLUG PIPE 3/4" BLACK

	VOLUME 15 - ENGINEERING & CONSTRUCTION STANDARD	GGMI-AEB							
	GAS METER INSTALLATIONS 250 CFH 4 METERS STACKED								
<table border="1" style="width: 100%; border-collapse: collapse;"> <tr> <td style="width: 25%;">Drawn:</td> <td style="width: 25%;">Eng:</td> <td style="width: 25%;">Appr:</td> <td style="width: 25%;">Date:</td> </tr> <tr> <td>CM</td> <td>CLD</td> <td>XX</td> <td>6/2017</td> </tr> </table>	Drawn:	Eng:	Appr:	Date:	CM	CLD	XX	6/2017	Revision: X Page 6 of 33
Drawn:	Eng:	Appr:	Date:						
CM	CLD	XX	6/2017						

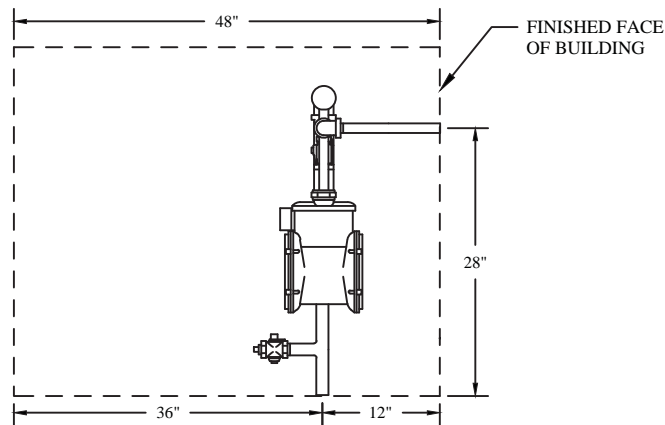
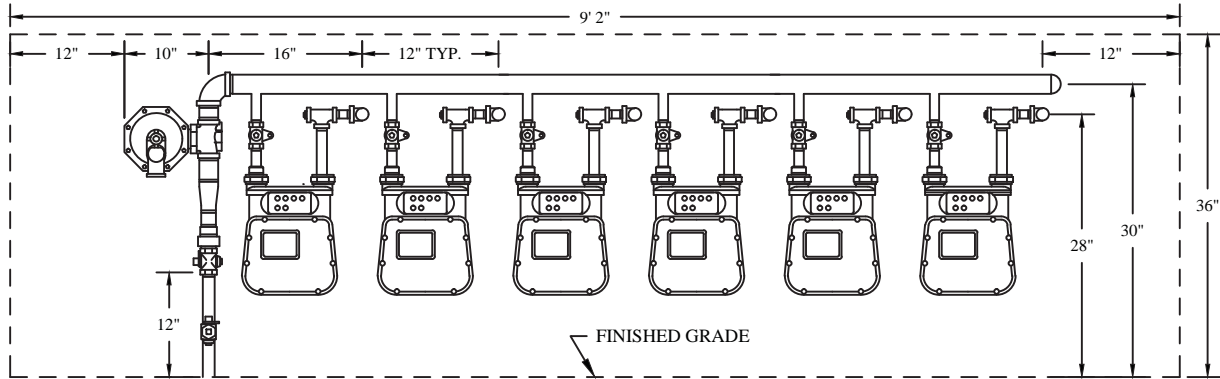


NOTES:

- 1) THIS COMPATIBLE UNIT REQUIRES A 1" RISER.
- 2) DASHED LINE REPRESENTS MINIMUM SPACE REQUIREMENTS FOR THIS METER SET.
- 3) REGULATOR AND ORIFICE TO BE SIZED AND DISTRIBUTED BY THE GAS METER SHOP.
- 4) HOUSE LINES MUST HAVE METAL TAG STAMPED WITH ADDRESS.
- 5) CUSTOMER SHALL STUB OUT HOUSE LINE 4" FROM FINISH FACE OF BUILDING AND INSTALL 3/4" 90 DEGREE ELBOWS HAND TIGHT.
- 6) DIMENSIONS ABOVE ARE MINIMUM REQUIREMENTS FOR METER ACCESSIBILITY. ADDITIONAL GAS METER LOCATION REQUIREMENTS IN SECTION 6 OF THIS VOLUME MUST ALSO BE ADHERED TO.

MATERIALS LIST - GMI06G			
ITEM	STOCK #	QTY	DESCRIPTION
A	45-1210	1.0	NIPPLE PIPE 1" X 1 1/2" BLACK
B	45-1310	1.0	NIPPLE PIPE 1 1/4" X 1 1/2" BLACK
C	45-1830	1.0	REDUCER 2" X 1 1/4" BLACK
D	45-1530	1.0	NIPPLE PIPE 2" X 3" BLACK
E	45-0760	1.0	ELBOW BLACK 90 DEGREE 2"
F	45-1105	1.0	MANIFOLD 5-METER 2" SCH 40 PIPE W/3" X 3/4" OUTLETS
G	43-0040	5.0	COCK GAS METER 3/4"
H	45-0720	5.0	ELBOW BLACK 90 DEGREE 3/4"
I	45-1110	5.0	NIPPLE PIPE 3/4" X 1 1/2" BLACK
J	45-1206	5.0	NIPPLE PIPE 3/4" X 12" BLACK
K	45-2100	5.0	TEE PIPE 3/4" BLACK
L	45-1710	5.0	PLUG PIPE 3/4" BLACK

	VOLUME 15 - ENGINEERING & CONSTRUCTION STANDARD	GGMI-AFB								
	GAS METER INSTALLATIONS 250 CFH 5 METERS									
<table border="1" style="width: 100%; border-collapse: collapse;"> <tr> <td style="width: 25%;">Drawn:</td> <td style="width: 25%;">Eng:</td> <td style="width: 25%;">Appr:</td> <td style="width: 25%;">Date:</td> </tr> <tr> <td>CM</td> <td>CLD</td> <td>XX</td> <td>6/2017</td> </tr> </table>	Drawn:	Eng:	Appr:	Date:	CM	CLD	XX	6/2017		Revision: X Page 7 of 33
Drawn:	Eng:	Appr:	Date:							
CM	CLD	XX	6/2017							

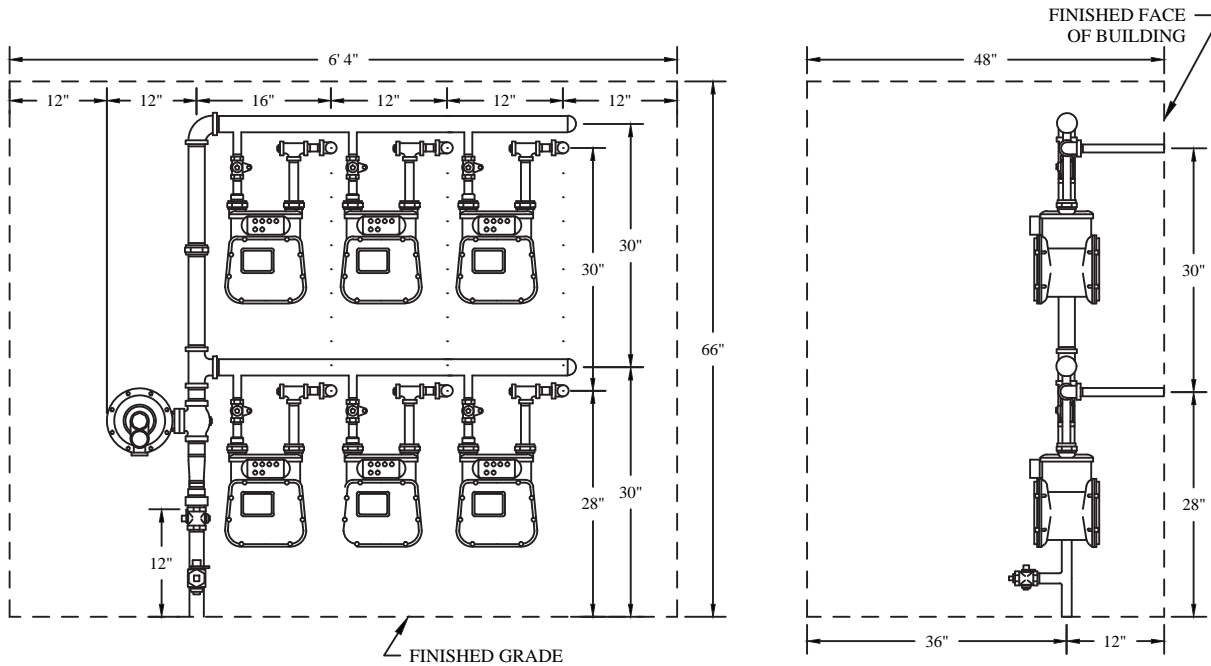


NOTES:

- 1) THIS COMPATIBLE UNIT REQUIRES A 1-1/4" RISER.
- 2) DASHED LINE REPRESENTS MINIMUM SPACE REQUIREMENTS FOR THIS METER SET.
- 3) REGULATOR AND ORIFICE TO BE SIZED AND DISTRIBUTED BY THE GAS METER SHOP.
- 4) HOUSE LINES MUST HAVE METAL TAG STAMPED WITH ADDRESS.
- 5) CUSTOMER SHALL STUB OUT HOUSE LINE 4" FROM FINISH FACE OF BUILDING AND INSTALL 3/4" 90 DEGREE ELBOWS HAND TIGHT.
- 6) DIMENSIONS ABOVE ARE MINIMUM REQUIREMENTS FOR METER ACCESSIBILITY. ADDITIONAL GAS METER LOCATION REQUIREMENTS IN SECTION 6 OF THIS VOLUME MUST ALSO BE ADHERED TO.

MATERIALS LIST - GMI07G			
ITEM	STOCK #	QTY	DESCRIPTION
A	45-1310	1.0	NIPPLE PIPE 1 1/4" X 1 1/2" BLACK
B	45-1830	1.0	REDUCER 2" X 1 1/4" BLACK
C	45-1510	2.0	NIPPLE PIPE 2" X CLOSE BLACK
D	45-0760	1.0	ELBOW BLACK 90 DEGREE 2"
E	45-1106	1.0	MANIFOLD 6-METER 2" SCH 40 PIPE W/3" X 3/4" OUTLETS
F	43-0040	6.0	COCK GAS METER 3/4"
G	45-0720	6.0	ELBOW BLACK 90 DEGREE 3/4"
H	45-1110	6.0	NIPPLE PIPE 3/4" X 1 1/2" BLACK
I	45-1206	6.0	NIPPLE PIPE 3/4" X 12" BLACK
J	45-2100	6.0	TEE PIPE 3/4" BLACK
K	45-1710	6.0	PLUG PIPE 3/4" BLACK

	VOLUME 15 - ENGINEERING & CONSTRUCTION STANDARD	GGMI-AGC								
	GAS METER INSTALLATIONS 250 CFH 6 METERS									
<table border="1" style="width: 100%; border-collapse: collapse;"> <tr> <td style="width: 25%;">Drawn:</td> <td style="width: 25%;">Eng:</td> <td style="width: 25%;">Appr:</td> <td style="width: 25%;">Date:</td> </tr> <tr> <td>CM</td> <td>CLD</td> <td>XX</td> <td>6/2017</td> </tr> </table>	Drawn:	Eng:	Appr:	Date:	CM	CLD	XX	6/2017		Revision: X Page 8 of 33
Drawn:	Eng:	Appr:	Date:							
CM	CLD	XX	6/2017							

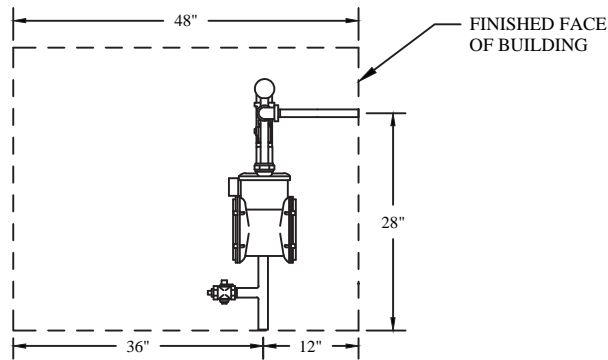
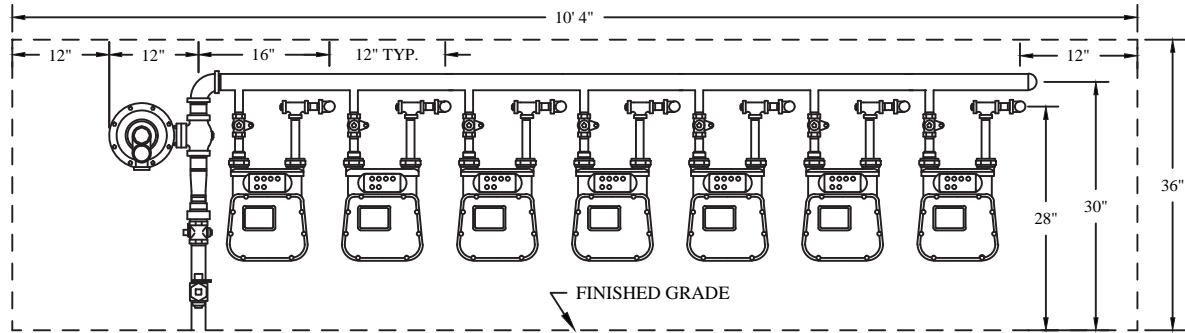


NOTES:

- 1) THIS COMPATIBLE UNIT REQUIRES A 1-1/4" RISER.
- 2) DASHED LINE REPRESENTS MINIMUM SPACE REQUIREMENTS FOR THIS METER SET.
- 3) REGULATOR AND ORIFICE TO BE SIZED AND DISTRIBUTED BY THE GAS METER SHOP.
- 4) HOUSE LINES MUST HAVE METAL TAG STAMPED WITH ADDRESS.
- 5) CUSTOMER SHALL STUB OUT HOUSE LINE 4" FROM FINISH FACE OF BUILDING AND INSTALL 3/4" 90 DEGREE ELBOWS HAND TIGHT.
- 6) DIMENSIONS ABOVE ARE MINIMUM REQUIREMENTS FOR METER ACCESSIBILITY. ADDITIONAL GAS METER LOCATION REQUIREMENTS IN SECTION 6 OF THIS VOLUME MUST ALSO BE ADHERED TO.

MATERIALS LIST - GMI08G			
ITEM	STOCK #	QTY	DESCRIPTION
A	45-1310	1.0	NIPPLE PIPE 1 1/4" X 1 1/2" BLACK
B	45-1830	1.0	REDUCER 2" X 1 1/4" BLACK
C	45-1510	2.0	NIPPLE PIPE 2" X CLOSE BLACK
D	45-2140	1.0	TEE PIPE 2" BLACK
E	45-1600	2.0	NIPPLE PIPE 2" X 12" BLACK
F	45-2360	1.0	UNION PIPE 2" BLACK
G	45-0760	1.0	ELBOW BLACK 90 DEGREE 2"
H	45-1103	2.0	MANIFOLD 3-METER 2" SCH 40 PIPE W/3" X 3/4" OUTLETS
I	43-0040	6.0	COCK GAS METER 3/4"
J	45-0720	6.0	ELBOW BLACK 90 DEGREE 3/4"
K	45-1110	6.0	NIPPLE PIPE 3/4" X 1 1/2" BLACK
L	45-1206	6.0	NIPPLE PIPE 3/4" X 12" BLACK
M	45-2100	6.0	TEE PIPE 3/4" BLACK
N	45-1710	6.0	PLUG PIPE 3/4" BLACK

	VOLUME 15 - ENGINEERING & CONSTRUCTION STANDARD	GGMI-AHC							
	GAS METER INSTALLATIONS 250 CFH 6 METERS STACKED								
<table border="1" style="width: 100%; border-collapse: collapse;"> <tr> <td style="width: 25%;">Drawn:</td> <td style="width: 25%;">Eng:</td> <td style="width: 25%;">Appr:</td> <td style="width: 25%;">Date:</td> </tr> <tr> <td>CM</td> <td>CLD</td> <td>XX</td> <td>6/2017</td> </tr> </table>	Drawn:	Eng:	Appr:	Date:	CM	CLD	XX	6/2017	Revision: X Page 9 of 33
Drawn:	Eng:	Appr:	Date:						
CM	CLD	XX	6/2017						

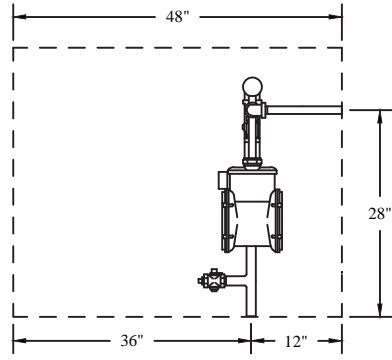
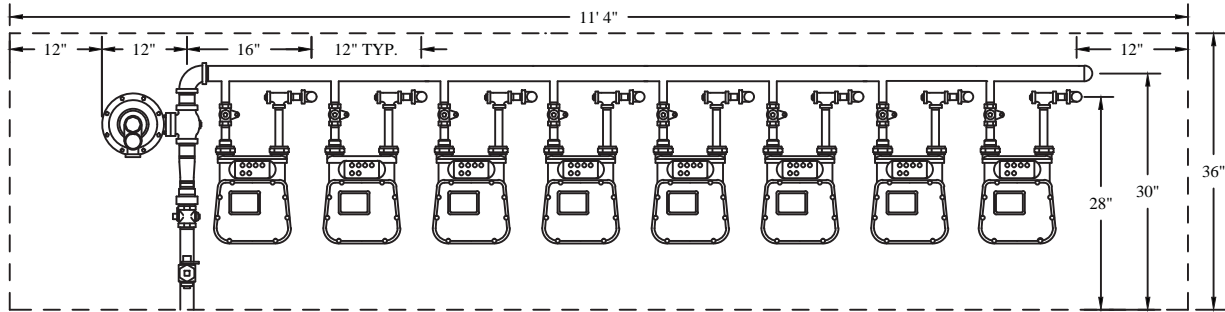


NOTES:

- 1) THIS COMPATIBLE UNIT REQUIRES A 1-1/4" RISER.
- 2) DASHED LINE REPRESENTS MINIMUM SPACE REQUIREMENTS FOR THIS METER SET.
- 3) REGULATOR AND ORIFICE TO BE SIZED AND DISTRIBUTED BY THE GAS METER SHOP.
- 4) HOUSE LINES MUST HAVE METAL TAG STAMPED WITH ADDRESS.
- 5) CUSTOMER SHALL STUB OUT HOUSE LINE 4" FROM FINISH FACE OF BUILDING AND INSTALL 3/4" 90 DEGREE ELBOWS HAND TIGHT.
- 6) DIMENSIONS ABOVE ARE MINIMUM REQUIREMENTS FOR METER ACCESSIBILITY. ADDITIONAL GAS METER LOCATION REQUIREMENTS IN SECTION 6 OF THIS VOLUME MUST ALSO BE ADHERED TO.

MATERIALS LIST - GMI09G			
ITEM	STOCK #	QTY	DESCRIPTION
A	45-1310	1.0	NIPPLE PIPE 1 1/4" X 1 1/2" BLACK
B	45-1830	1.0	REDUCER 2" X 1 1/4" BLACK
C	45-1510	2.0	NIPPLE PIPE 2" X CLOSE BLACK
G	45-0760	1.0	ELBOW BLACK 90 DEGREE 2"
H	45-1107	1.0	MANIFOLD 7-METER 2" SCH 40 PIPE W/3" X 3/4" OUTLETS
I	43-0040	7.0	COCK GAS METER 3/4"
J	45-0720	7.0	ELBOW BLACK 90 DEGREE 3/4"
K	45-1110	7.0	NIPPLE PIPE 3/4" X 1 1/2" BLACK
L	45-1206	7.0	NIPPLE PIPE 3/4" X 12" BLACK
M	45-2100	7.0	TEE PIPE 3/4" BLACK
N	45-1710	7.0	PLUG PIPE 3/4" BLACK

	VOLUME 15 - ENGINEERING & CONSTRUCTION STANDARD	GGMI-AIC							
	GAS METER INSTALLATIONS 250 CFH 7 METERS								
<table border="1" style="width: 100%; border-collapse: collapse;"> <tr> <td style="width: 25%;">Drawn:</td> <td style="width: 25%;">Eng:</td> <td style="width: 25%;">Appr:</td> <td style="width: 25%;">Date:</td> </tr> <tr> <td>CM</td> <td>CLD</td> <td>XX</td> <td>6/2017</td> </tr> </table>	Drawn:	Eng:	Appr:	Date:	CM	CLD	XX	6/2017	Revision: X Page 10 of 33
Drawn:	Eng:	Appr:	Date:						
CM	CLD	XX	6/2017						

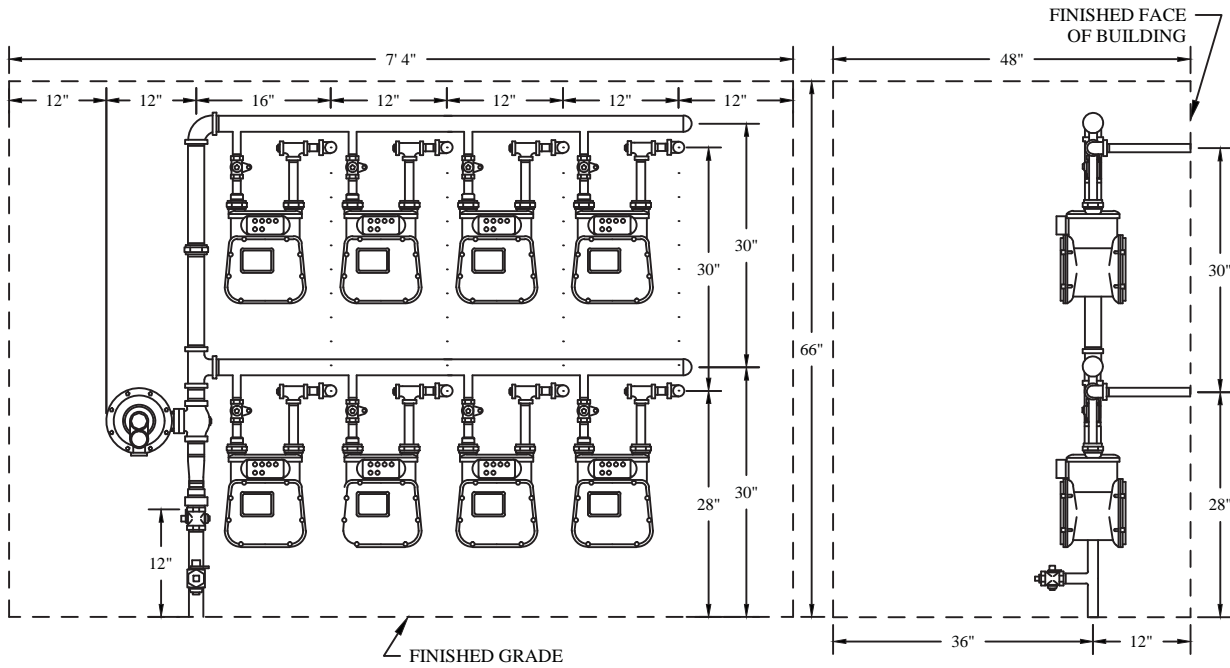


NOTES:

- 1) THIS COMPATIBLE UNIT REQUIRES A 1-1/4" RISER.
- 2) DASHED LINE REPRESENTS MINIMUM SPACE REQUIREMENTS FOR THIS METER SET.
- 3) REGULATOR AND ORIFICE TO BE SIZED AND DISTRIBUTED BY THE GAS METER SHOP.
- 4) HOUSE LINES MUST HAVE METAL TAG STAMPED WITH ADDRESS.
- 5) CUSTOMER SHALL STUB OUT HOUSE LINE 4" FROM FINISH FACE OF BUILDING AND INSTALL 3/4" 90 DEGREE ELBOWS HAND TIGHT.
- 6) DIMENSIONS ABOVE ARE MINIMUM REQUIREMENTS FOR METER ACCESSIBILITY. ADDITIONAL GAS METER LOCATION REQUIREMENTS IN SECTION 6 OF THIS VOLUME MUST ALSO BE ADHERED TO.

MATERIALS LIST - GMI10G			
ITEM	STOCK #	QTY	DESCRIPTION
A	45-1310	1.0	NIPPLE PIPE 1 1/4" X 1 1/2" BLACK
B	45-1830	1.0	REDUCER 2" X 1 1/4" BLACK
C	45-1510	2.0	NIPPLE PIPE 2" X CLOSE BLACK
G	45-0760	1.0	ELBOW BLACK 90 DEGREE 2"
H	45-1108	1.0	MANIFOLD 8-METER 2" SCH 40 PIPE W/3" X 3/4" OUTLETS
I	43-0040	8.0	COCK GAS METER 3/4"
J	45-0720	8.0	ELBOW BLACK 90 DEGREE 3/4"
K	45-1110	8.0	NIPPLE PIPE 3/4" X 1 1/2" BLACK
L	45-1206	8.0	NIPPLE PIPE 3/4" X 12" BLACK
M	45-2100	8.0	TEE PIPE 3/4" BLACK
N	45-1710	8.0	PLUG PIPE 3/4" BLACK


	VOLUME 15 - ENGINEERING & CONSTRUCTION STANDARD	GGMI-AJC								
	GAS METER INSTALLATIONS 250 CFH 8 METERS									
<table border="1" style="width: 100%; border-collapse: collapse;"> <tr> <td style="width: 25%;">Drawn:</td> <td style="width: 25%;">Eng:</td> <td style="width: 25%;">Appr:</td> <td style="width: 25%;">Date:</td> </tr> <tr> <td>CM</td> <td>CLD</td> <td>XX</td> <td>6/2017</td> </tr> </table>	Drawn:	Eng:	Appr:	Date:	CM	CLD	XX	6/2017	Revision: X Page 11 of 33	
Drawn:	Eng:	Appr:	Date:							
CM	CLD	XX	6/2017							

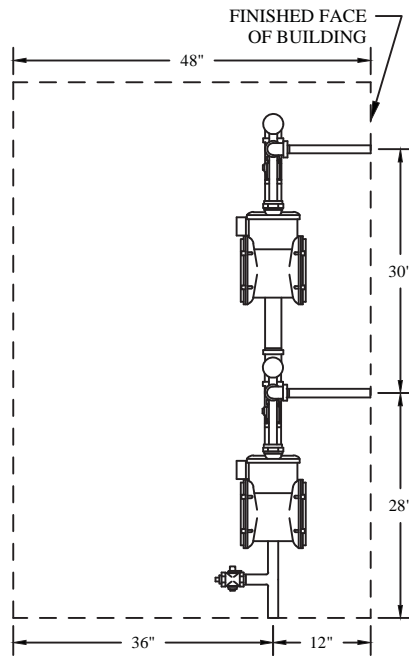
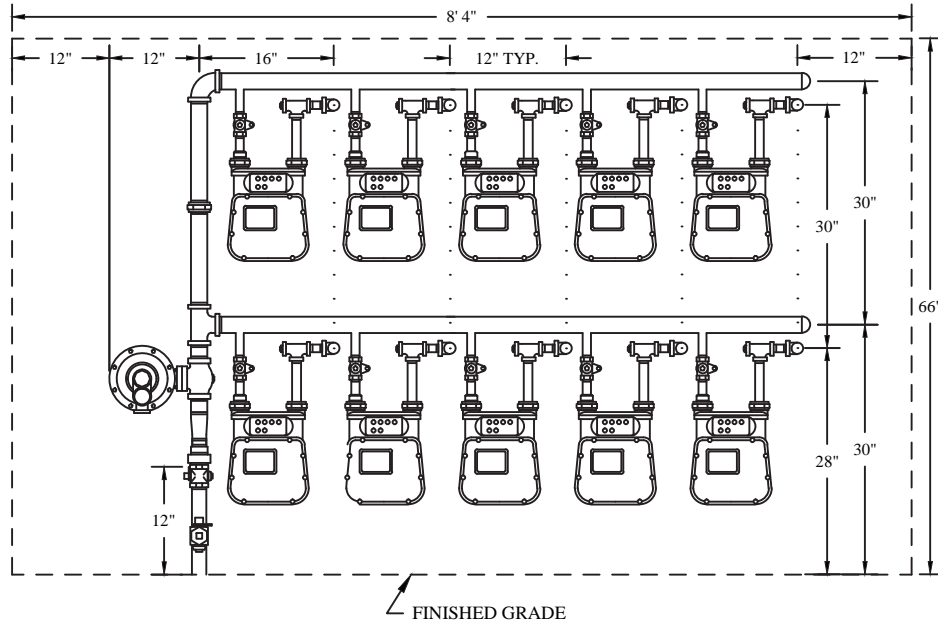



NOTES:

- 1) THIS COMPATIBLE UNIT REQUIRES A 1-1/4" RISER.
- 2) DASHED LINE REPRESENTS MINIMUM SPACE REQUIREMENTS FOR THIS METER SET.
- 3) REGULATOR AND ORIFICE TO BE SIZED AND DISTRIBUTED BY THE GAS METER SHOP.
- 4) HOUSE LINES MUST HAVE METAL TAG STAMPED WITH ADDRESS.
- 5) CUSTOMER SHALL STUB OUT HOUSE LINE 4" FROM FINISH FACE OF BUILDING AND INSTALL 3/4" 90 DEGREE ELBOWS HAND TIGHT.
- 6) DIMENSIONS ABOVE ARE MINIMUM REQUIREMENTS FOR METER ACCESSIBILITY. ADDITIONAL GAS METER LOCATION REQUIREMENTS IN SECTION 6 OF THIS VOLUME MUST ALSO BE ADHERED TO.

MATERIALS LIST - GM111G			
ITEM	STOCK #	QTY	DESCRIPTION
A	45-1310	1.0	NIPPLE PIPE 1 1/4" X 1 1/2" BLACK
B	45-1830	1.0	REDUCER 2" X 1 1/4" BLACK
C	45-1510	2.0	NIPPLE PIPE 2" X CLOSE BLACK
D	45-2140	1.0	TEE PIPE 2" BLACK
E	45-1600	2.0	NIPPLE PIPE 2" X 12" BLACK
F	45-2360	1.0	UNION PIPE 2" BLACK
G	45-0760	1.0	ELBOW BLACK 90 DEGREE 2"
H	45-1104	2.0	MANIFOLD 4-METER 2" SCH 40 PIPE W/3" X 3/4" OUTLETS
I	43-0040	8.0	COCK GAS METER 3/4"
J	45-0720	8.0	ELBOW BLACK 90 DEGREE 3/4"
K	45-1110	8.0	NIPPLE PIPE 3/4" X 1 1/2" BLACK
L	45-1206	8.0	NIPPLE PIPE 3/4" X 12" BLACK
M	45-2100	8.0	TEE PIPE 3/4" BLACK
N	45-1710	8.0	PLUG PIPE 3/4" BLACK

	VOLUME 15 - ENGINEERING & CONSTRUCTION STANDARD	GGMI-AKC								
	GAS METER INSTALLATIONS 250 CFH 8 METERS STACKED									
<table border="1" style="width: 100%; border-collapse: collapse;"> <tr> <td style="width: 25%;">Drawn:</td> <td style="width: 25%;">Eng:</td> <td style="width: 25%;">Appr:</td> <td style="width: 25%;">Date:</td> </tr> <tr> <td>CM</td> <td>CLD</td> <td>XX</td> <td>6/2017</td> </tr> </table>	Drawn:	Eng:	Appr:	Date:	CM	CLD	XX	6/2017	Revision: X Page 12 of 33	
Drawn:	Eng:	Appr:	Date:							
CM	CLD	XX	6/2017							




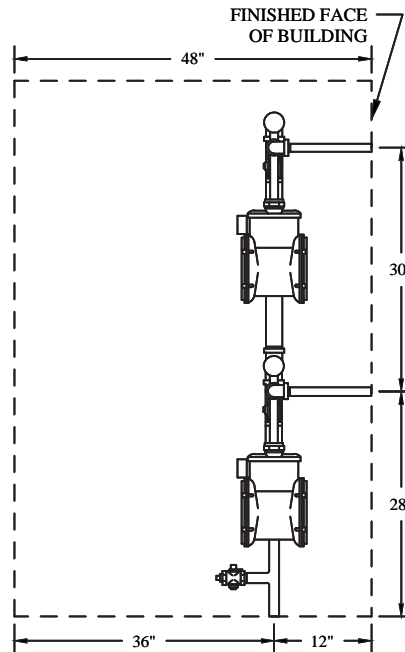
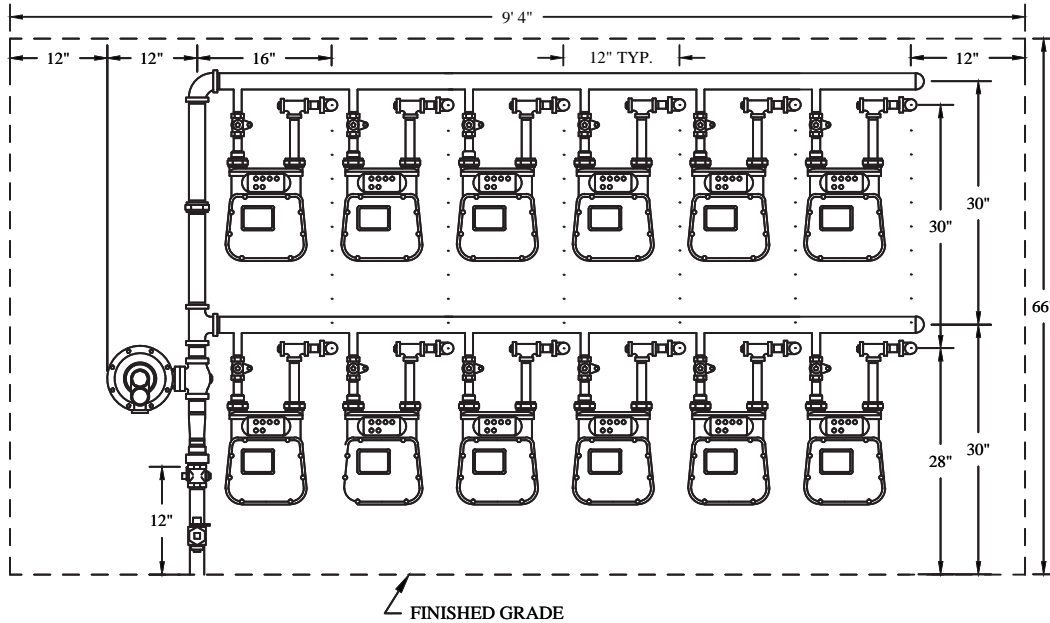
	VOLUME 15 - ENGINEERING & CONSTRUCTION STANDARD				GGMI-ALC
	GAS METER INSTALLATIONS 250 CFH 10 METERS STACKED				
Drawn:	Eng:	Appr:	Date:	Revision: X	
CM	CLD	XX	6/2017	Page 13 of 33	


NOTES:

- 1) THIS COMPATIBLE UNIT REQUIRES A 1-1/4" RISER.
- 2) DASHED LINE REPRESENTS MINIMUM SPACE REQUIREMENTS FOR THIS METER SET.
- 3) REGULATOR AND ORIFICE TO BE SIZED AND DISTRIBUTED BY THE GAS METER SHOP.
- 4) HOUSE LINES MUST HAVE METAL TAG STAMPED WITH ADDRESS.
- 5) CUSTOMER SHALL STUB OUT HOUSE LINE 4" FROM FINISH FACE OF BUILDING AND INSTALL 3/4" 90 DEGREE ELBOWS HAND TIGHT.
- 6) DIMENSIONS ABOVE ARE MINIMUM REQUIREMENTS FOR METER ACCESSIBILITY. ADDITIONAL GAS METER LOCATION REQUIREMENTS IN SECTION 6 OF THIS VOLUME MUST ALSO BE ADHERED TO.

MATERIALS LIST - GMI12G			
ITEM	STOCK #	QTY	DESCRIPTION
A	45-1310	1.0	NIPPLE PIPE 1 1/4" X 1 1/2" BLACK
B	45-1830	1.0	REDUCER 2" X 1 1/4" BLACK
C	45-1510	2.0	NIPPLE PIPE 2" X CLOSE BLACK
D	45-2140	1.0	TEE PIPE 2" BLACK
E	45-1600	2.0	NIPPLE PIPE 2" X 12" BLACK
F	45-2360	1.0	UNION PIPE 2" BLACK
G	45-0760	1.0	ELBOW BLACK 90 DEGREE 2"
H	45-1105	2.0	MANIFOLD 5-METER 2" SCH 40 PIPE W/3" X 3/4" OUTLETS
I	43-0040	10.0	COCK GAS METER 3/4"
J	45-0720	10.0	ELBOW BLACK 90 DEGREE 3/4"
K	45-1110	10.0	NIPPLE PIPE 3/4" X 1 1/2" BLACK
L	45-1206	10.0	NIPPLE PIPE 3/4" X 12" BLACK
M	45-2100	10.0	TEE PIPE 3/4" BLACK
N	45-1710	10.0	PLUG PIPE 3/4" BLACK

	VOLUME 15 - ENGINEERING & CONSTRUCTION STANDARD				GGMI-ALC
	GAS METER INSTALLATIONS 250 CFH 10 METERS STACKED				
Drawn:	Eng:	Appr:	Date:	Revision: X	
CM	CLD	XX	6/2017	Page 14 of 33	




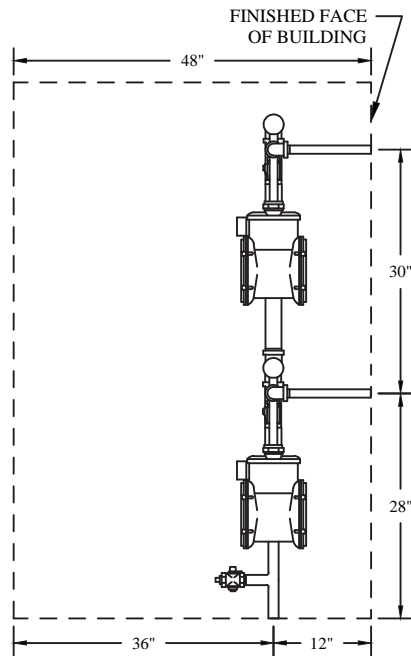
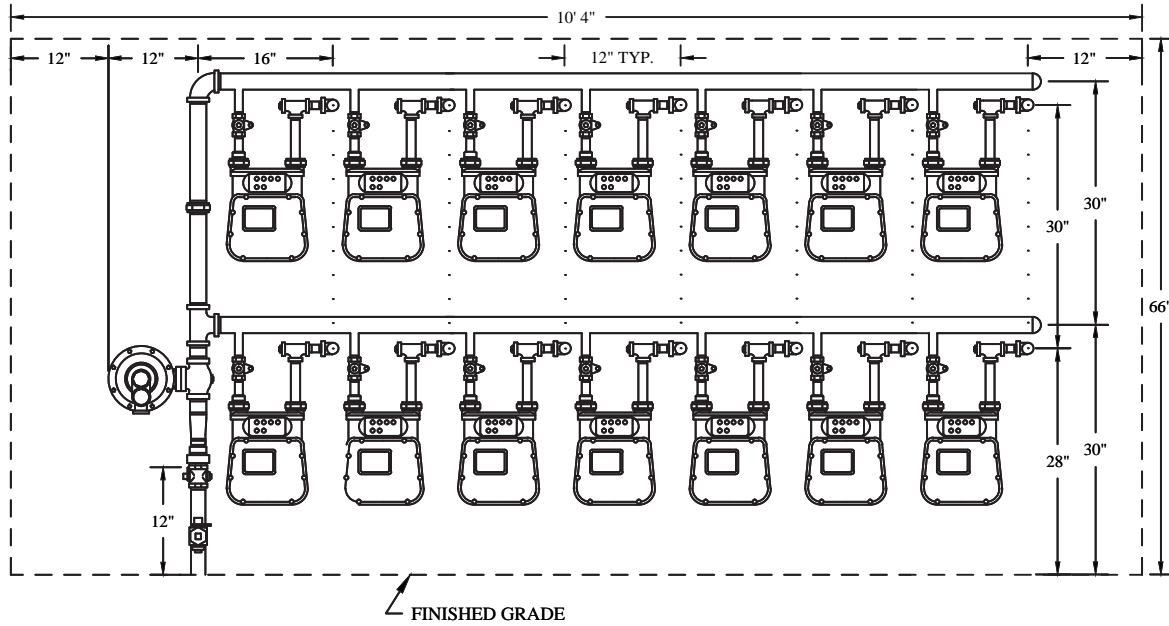
	VOLUME 15 - ENGINEERING & CONSTRUCTION STANDARD			GGMI-AMC
	GAS METER INSTALLATIONS 250 CFH 12 METERS STACKED			
Drawn: CM Eng: CLD Appr: XX Date: 6/2017				Revision: X Page 15 of 33


NOTES:

- 1) THIS COMPATIBLE UNIT REQUIRES A 1-1/4" RISER.
- 2) DASHED LINE REPRESENTS MINIMUM SPACE REQUIREMENTS FOR THIS METER SET.
- 3) REGULATOR AND ORIFICE TO BE SIZED AND DISTRIBUTED BY THE GAS METER SHOP.
- 4) HOUSE LINES MUST HAVE METAL TAG STAMPED WITH ADDRESS.
- 5) CUSTOMER SHALL STUB OUT HOUSE LINE 4" FROM FINISH FACE OF BUILDING AND INSTALL 3/4" 90 DEGREE ELBOWS HAND TIGHT.
- 6) DIMENSIONS ABOVE ARE MINIMUM REQUIREMENTS FOR METER ACCESSIBILITY. ADDITIONAL GAS METER LOCATION REQUIREMENTS IN SECTION 6 OF THIS VOLUME MUST ALSO BE ADHERED TO.

MATERIALS LIST - GMI13G			
ITEM	STOCK #	QTY	DESCRIPTION
A	45-1310	1.0	NIPPLE PIPE 1 1/4" X 1 1/2" BLACK
B	45-1830	1.0	REDUCER 2" X 1 1/4" BLACK
C	45-1510	2.0	NIPPLE PIPE 2" X CLOSE BLACK
D	45-2140	1.0	TEE PIPE 2" BLACK
E	45-1600	2.0	NIPPLE PIPE 2" X 12" BLACK
F	45-2360	1.0	UNION PIPE 2" BLACK
G	45-0760	1.0	ELBOW BLACK 90 DEGREE 2"
H	45-1106	2.0	MANIFOLD 6-METER 2" SCH 40 PIPE W/3" X 3/4" OUTLETS
I	43-0040	12.0	COCK GAS METER 3/4"
J	45-0720	12.0	ELBOW BLACK 90 DEGREE 3/4"
K	45-1110	12.0	NIPPLE PIPE 3/4" X 1 1/2" BLACK
L	45-1206	12.0	NIPPLE PIPE 3/4" X 12" BLACK
M	45-2100	12.0	TEE PIPE 3/4" BLACK
N	45-1710	12.0	PLUG PIPE 3/4" BLACK

	VOLUME 15 - ENGINEERING & CONSTRUCTION STANDARD				GGMI-AMC
	GAS METER INSTALLATIONS 250 CFH 12 METERS STACKED				
Drawn: CM	Eng: CLD	Appr: XX	Date: 6/2017	Revision: X Page 16 of 33	




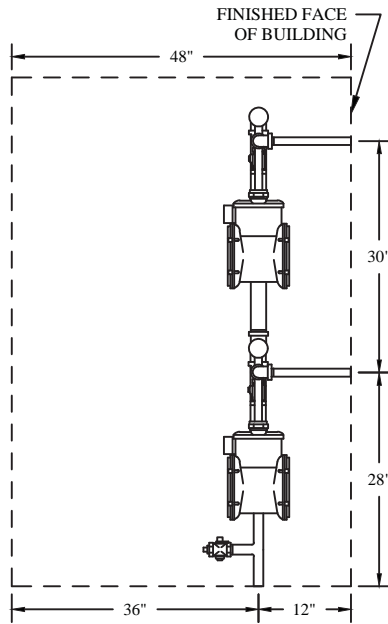
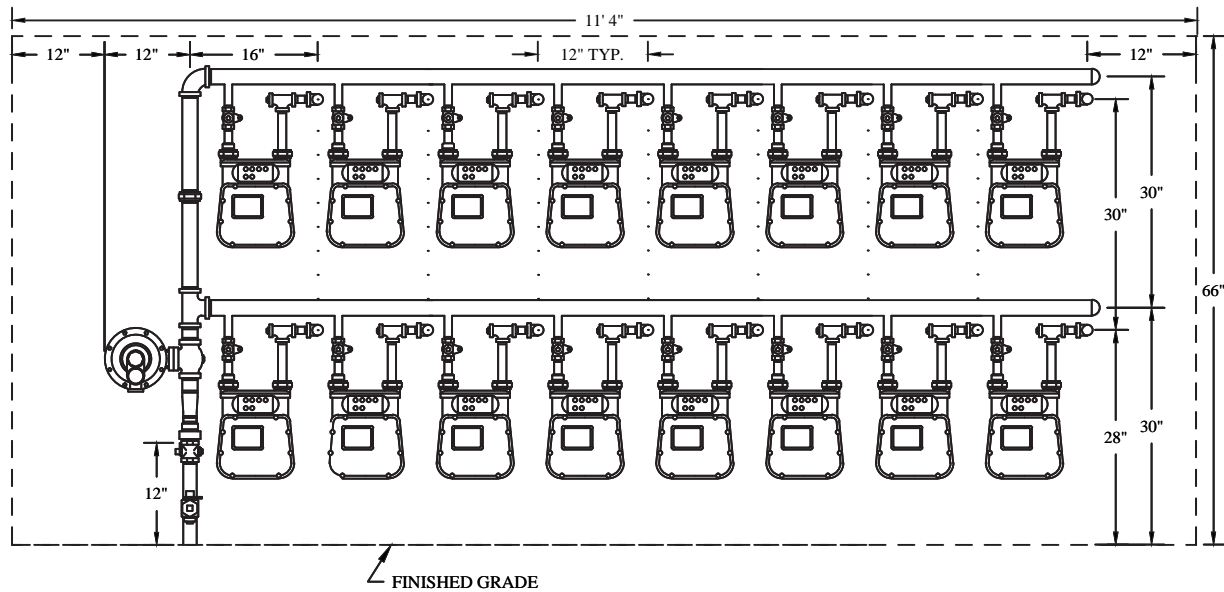
	VOLUME 15 - ENGINEERING & CONSTRUCTION STANDARD				GGMI-ANC
	GAS METER INSTALLATIONS 250 CFH 14 METERS STACKED				
Drawn:	Eng:	Appr:	Date:	Revision: X	
CM	CLD	XX	6/2017	Page 17 of 33	


NOTES:

- 1) THIS COMPATIBLE UNIT REQUIRES A 1-1/4" RISER.
- 2) DASHED LINE REPRESENTS MINIMUM SPACE REQUIREMENTS FOR THIS METER SET.
- 3) REGULATOR AND ORIFICE TO BE SIZED AND DISTRIBUTED BY THE GAS METER SHOP.
- 4) HOUSE LINES MUST HAVE METAL TAG STAMPED WITH ADDRESS.
- 5) CUSTOMER SHALL STUB OUT HOUSE LINE 4" FROM FINISH FACE OF BUILDING AND INSTALL 3/4" 90 DEGREE ELBOWS HAND TIGHT.
- 6) DIMENSIONS ABOVE ARE MINIMUM REQUIREMENTS FOR METER ACCESSIBILITY. ADDITIONAL GAS METER LOCATION REQUIREMENTS IN SECTION 6 OF THIS VOLUME MUST ALSO BE ADHERED TO.

MATERIALS LIST - GMI14G			
ITEM	STOCK #	QTY	DESCRIPTION
A	45-1310	1.0	NIPPLE PIPE 1 1/4" X 1 1/2" BLACK
B	45-1830	1.0	REDUCER 2" X 1 1/4" BLACK
C	45-1510	2.0	NIPPLE PIPE 2" X CLOSE BLACK
D	45-2140	1.0	TEE PIPE 2" BLACK
E	45-1600	2.0	NIPPLE PIPE 2" X 12" BLACK
F	45-2360	1.0	UNION PIPE 2" BLACK
G	45-0760	1.0	ELBOW BLACK 90 DEGREE 2"
H	45-1107	2.0	MANIFOLD 7-METER 2" SCH 40 PIPE W/3" X 3/4" OUTLETS
I	43-0040	14.0	COCK GAS METER 3/4"
J	45-0720	14.0	ELBOW BLACK 90 DEGREE 3/4"
K	45-1110	14.0	NIPPLE PIPE 3/4" X 1 1/2" BLACK
L	45-1206	14.0	NIPPLE PIPE 3/4" X 12" BLACK
M	45-2100	14.0	TEE PIPE 3/4" BLACK
N	45-1710	14.0	PLUG PIPE 3/4" BLACK

	VOLUME 15 - ENGINEERING & CONSTRUCTION STANDARD				GGMI-ANC
	GAS METER INSTALLATIONS 250 CFH 14 METERS STACKED				
Drawn: CM	Eng: CLD	Appr: XX	Date: 6/2017	Revision: X Page 18 of 33	




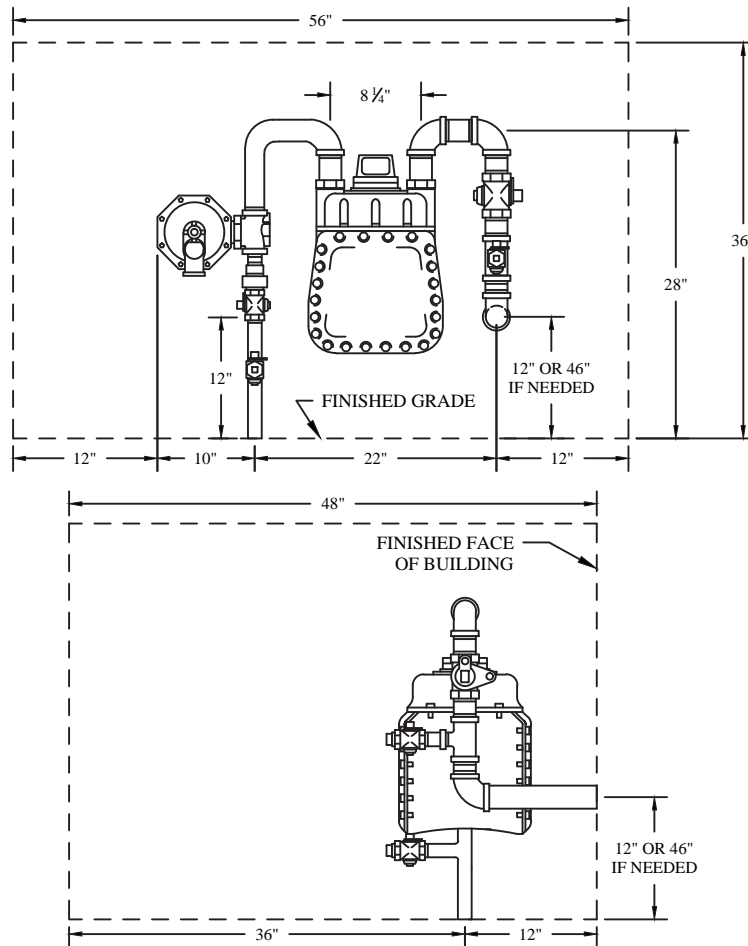
	VOLUME 15 - ENGINEERING & CONSTRUCTION STANDARD				GGMI-AOC
	GAS METER INSTALLATIONS 250 CFH 16 METERS STACKED				
Drawn:	Eng:	Appr:	Date:	Revision: X	
CM	CLD	XX	6/2017	Page 19 of 33	

NOTES:

- 1) THIS COMPATIBLE UNIT REQUIRES A 1-1/4" RISER.
- 2) DASHED LINE REPRESENTS MINIMUM SPACE REQUIREMENTS FOR THIS METER SET.
- 3) REGULATOR AND ORIFICE TO BE SIZED AND DISTRIBUTED BY THE GAS METER SHOP.
- 4) HOUSE LINES MUST HAVE METAL TAG STAMPED WITH ADDRESS.
- 5) CUSTOMER SHALL STUB OUT HOUSE LINE 4" FROM FINISH FACE OF BUILDING AND INSTALL 3/4" 90 DEGREE ELBOWS HAND TIGHT.
- 6) DIMENSIONS ABOVE ARE MINIMUM REQUIREMENTS FOR METER ACCESSIBILITY. ADDITIONAL GAS METER LOCATION REQUIREMENTS IN SECTION 6 OF THIS VOLUME MUST ALSO BE ADHERED TO.

MATERIALS LIST - GMI15G			
ITEM	STOCK #	QTY	DESCRIPTION
A	45-1310	1.0	NIPPLE PIPE 1 1/4" X 1 1/2" BLACK
B	45-1830	1.0	REDUCER 2" X 1 1/4" BLACK
C	45-1510	2.0	NIPPLE PIPE 2" X CLOSE BLACK
D	45-2140	1.0	TEE PIPE 2" BLACK
E	45-1600	2.0	NIPPLE PIPE 2" X 12" BLACK
F	45-2360	1.0	UNION PIPE 2" BLACK
G	45-0760	1.0	ELBOW BLACK 90 DEGREE 2"
H	45-1108	2.0	MANIFOLD 8-METER 2" SCH 40 PIPE W/3" X 3/4" OUTLETS
I	43-0040	16.0	COCK GAS METER 3/4"
J	45-0720	16.0	ELBOW BLACK 90 DEGREE 3/4"
K	45-1110	16.0	NIPPLE PIPE 3/4" X 1 1/2" BLACK
L	45-1206	16.0	NIPPLE PIPE 3/4" X 12" BLACK
M	45-2100	16.0	TEE PIPE 3/4" BLACK
N	45-1710	16.0	PLUG PIPE 3/4" BLACK

	VOLUME 15 - ENGINEERING & CONSTRUCTION STANDARD				GGMI-AOC
	GAS METER INSTALLATIONS 250 CFH 16 METERS STACKED				
Drawn: CM	Eng: XX	Appr: XX	Date: 6/2017	Revision: X Page 20 of 33	

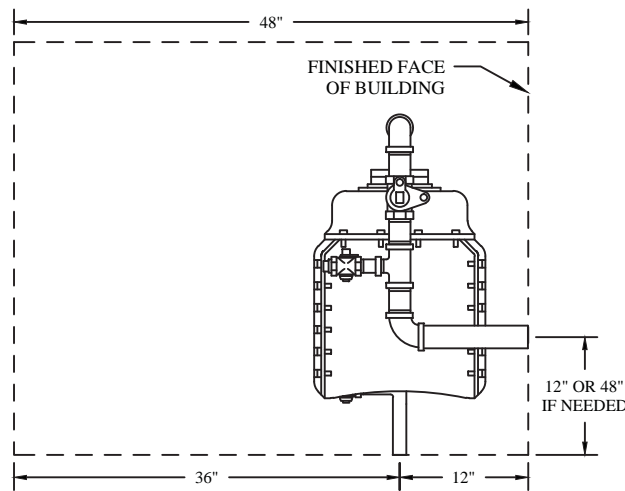
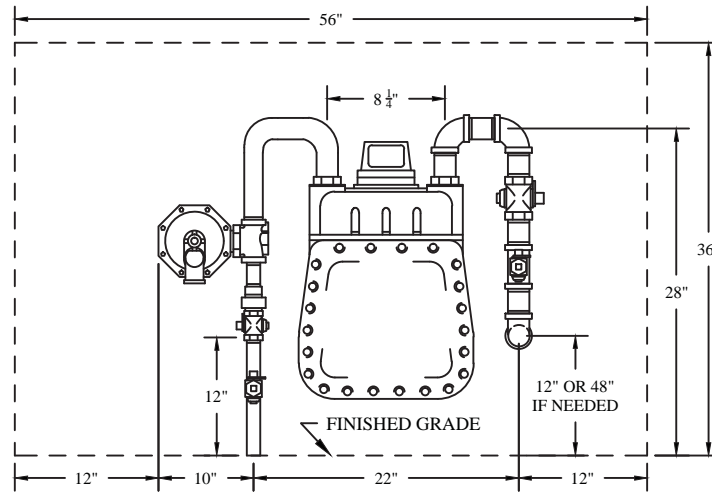


NOTES:

- 1) THIS COMPATIBLE UNIT REQUIRES A 1" RISER.
- 2) DASHED LINE REPRESENTS MINIMUM SPACE REQUIREMENTS FOR THIS METER SET.
- 3) REGULATOR AND ORIFICE TO BE SIZED AND DISTRIBUTED BY THE GAS METER SHOP.
- 4) 425 CFH METERS ARE STOCK ITEMS WHICH MUST BE SPECIAL ORDERED THROUGH THE GAS METER SHOP
- 5) CUSTOMER SHALL STUB OUT 4" FROM FINISH FACE OF BUILDING WITH 1 1/2" STEEL PIPE AND INSTALL 1 1/2" 90 DEGREE ELBOWS HAND TIGHT.
- 6) DIMENSIONS ABOVE ARE MINIMUM REQUIREMENTS FOR METER ACCESSIBILITY. ADDITIONAL GAS METER LOCATION REQUIREMENTS IN SECTION 6 OF THIS VOLUME MUST ALSO BE ADHERED TO.

MATERIALS LIST - GMI17G			
ITEM	STOCK #	QTY	DESCRIPTION
A	45-1220	1.0	NIPPLE PIPE 1" X 2" BLACK
B	45-1360	1.0	NIPPLE PIPE 1 1/4" X 4" BLACK
C	45-0815	1.0	ELBOW REDUCING BLACK 1 1/2" X 1 1/4"
D	45-1460	2.0	NIPPLE PIPE 1 1/2" X 4" BLACK
E	45-0750	4.0	ELBOW BLACK 90 DEGREE 1 1/2"
F	45-1440	2.0	NIPPLE PIPE 1 1/2" X 3" BLACK
G	43-0070	1.0	COCK GAS METER 1 1/2"
H	45-2185	1.0	TEE REDUCING 1 1/2" X 1 1/2" X 3/4" BLACK
I	45-1420	1.0	NIPPLE PIPE 1 1/2" X 2" BLACK
J	45-1140	1.0	NIPPLE PIPE 3/4" X 3" BLACK
K	43-0040	1.0	COCK GAS METER 3/4"
L	45-1710	1.0	PLUG PIPE 3/4" BLACK

	VOLUME 15 - ENGINEERING & CONSTRUCTION STANDARD	GGMI-BAB								
	GAS METER INSTALLATIONS 425 CFH 1 METER									
<table border="1" style="width: 100%; border-collapse: collapse;"> <tr> <td style="width: 25%;">Drawn:</td> <td style="width: 25%;">Eng:</td> <td style="width: 25%;">Appr:</td> <td style="width: 25%;">Date:</td> </tr> <tr> <td>CM</td> <td>XX</td> <td>XX</td> <td>6/2017</td> </tr> </table>	Drawn:	Eng:	Appr:	Date:	CM	XX	XX	6/2017	Revision: X Page 21 of 33	
Drawn:	Eng:	Appr:	Date:							
CM	XX	XX	6/2017							

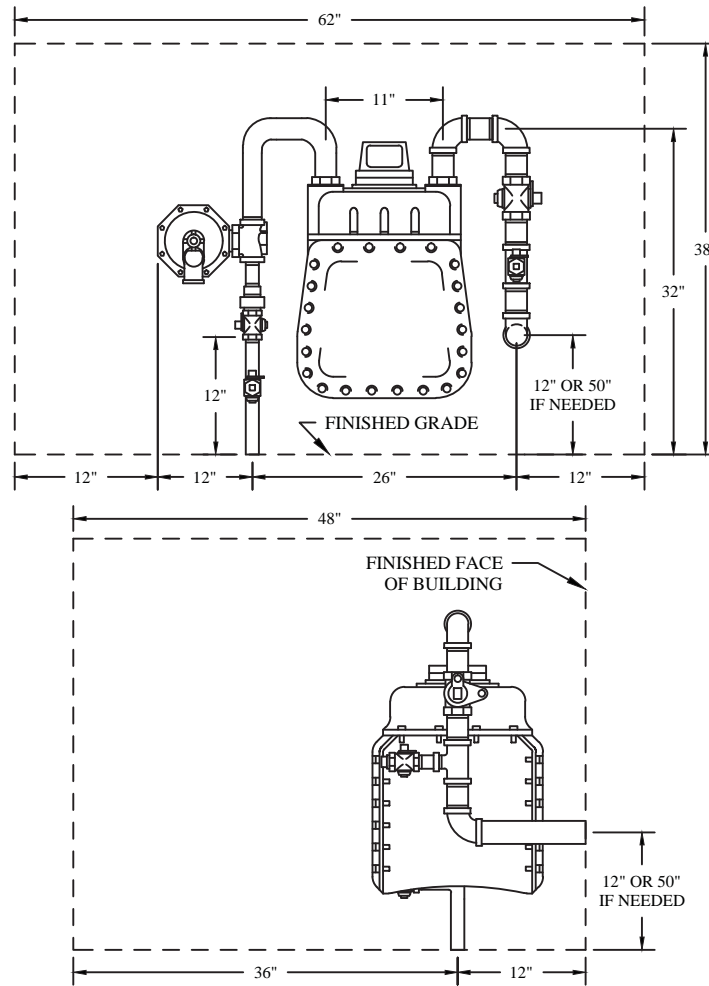


NOTES:

- 1) THIS COMPATIBLE UNIT REQUIRES A 1" RISER.
- 2) DASHED LINE REPRESENTS MINIMUM SPACE REQUIREMENTS FOR THIS METER SET.
- 3) REGULATOR AND ORIFICE TO BE SIZED AND DISTRIBUTED BY THE GAS METER SHOP.
- 4) 630 CFH METERS ARE STOCK ITEMS WHICH MUST BE SPECIAL ORDERED THROUGH THE GAS METER SHOP
- 5) CUSTOMER SHALL STUB OUT 4" FROM FINISH FACE OF BUILDING WITH 1 1/2" STEEL PIPE AND INSTALL 1 1/2" 90 DEGREE ELBOWS HAND TIGHT.
- 6) DIMENSIONS ABOVE ARE MINIMUM REQUIREMENTS FOR METER ACCESSIBILITY. ADDITIONAL GAS METER LOCATION REQUIREMENTS IN SECTION 6 OF THIS VOLUME MUST ALSO BE ADHERED TO.

MATERIALS LIST - GMI19G			
ITEM	STOCK #	QTY	DESCRIPTION
A	45-1260	1.0	NIPPLE PIPE 1" X 4" BLACK
B	45-1400	1.0	NIPPLE PIPE 1 1/4" X 6" BLACK
C	45-0815	1.0	ELBOW REDUCING BLACK 1 1/2" X 1 1/4"
D	45-1460	5.0	NIPPLE PIPE 1 1/2" X 4" BLACK
E	45-0750	4.0	ELBOW BLACK 90 DEGREE 1 1/2"
G	43-0070	1.0	COCK GAS METER 1 1/2"
H	45-2185	1.0	TEE REDUCING 1 1/2" X 1 1/2" X 3/4" BLACK
J	45-1140	1.0	NIPPLE PIPE 3/4" X 3" BLACK
K	43-0040	1.0	COCK GAS METER 3/4"
L	45-1710	1.0	PLUG PIPE 3/4" BLACK

	VOLUME 15 - ENGINEERING & CONSTRUCTION STANDARD	GGMI-CAB							
	GAS METER INSTALLATIONS 630 CFH 1 METER								
<table border="1" style="width: 100%; border-collapse: collapse;"> <tr> <td style="width: 25%;">Drawn:</td> <td style="width: 25%;">Eng:</td> <td style="width: 25%;">Appr:</td> <td style="width: 25%;">Date:</td> </tr> <tr> <td>CM</td> <td>XX</td> <td>XX</td> <td>6/2017</td> </tr> </table>	Drawn:	Eng:	Appr:	Date:	CM	XX	XX	6/2017	Revision: X Page 22 of 33
Drawn:	Eng:	Appr:	Date:						
CM	XX	XX	6/2017						

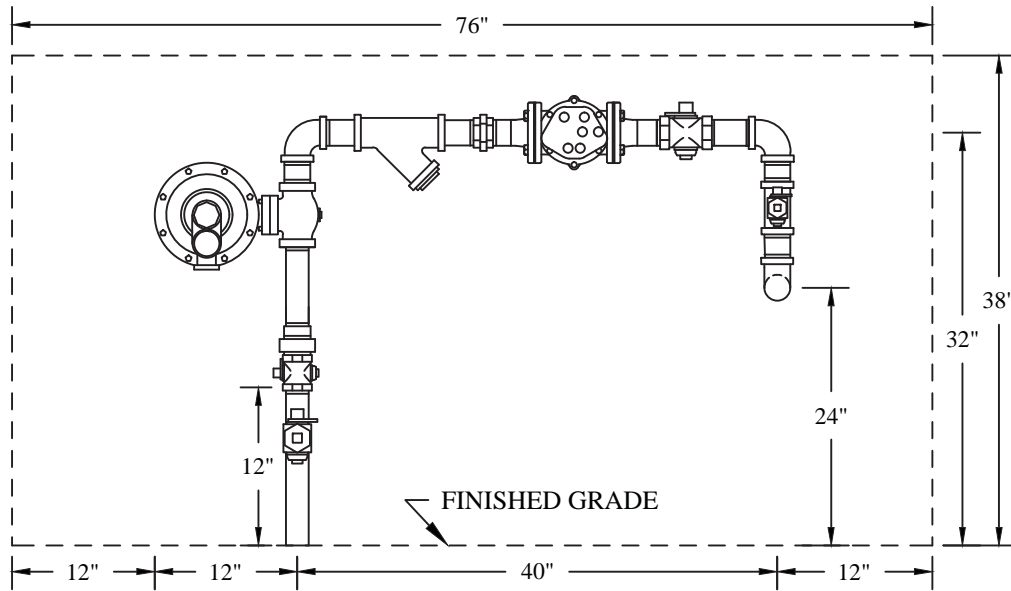


NOTES:

- 1) THIS COMPATIBLE UNIT REQUIRES A 1 1/4" RISER.
- 2) DASHED LINE REPRESENTS MINIMUM SPACE REQUIREMENTS FOR THIS METER SET.
- 3) REGULATOR AND ORIFICE TO BE SIZED AND DISTRIBUTED BY THE GAS METER SHOP.
- 4) 1000 CFH METERS ARE STOCK ITEMS WHICH MUST BE SPECIAL ORDERED THROUGH THE GAS METER SHOP.
- 5) CUSTOMER SHALL STUB OUT 4" FROM FINISH FACE OF BUILDING WITH 2" STEEL PIPE AND INSTALL 2" 90 DEGREE ELBOWS HAND TIGHT.
- 6) DIMENSIONS ABOVE ARE MINIMUM REQUIREMENTS FOR METER ACCESSIBILITY. ADDITIONAL GAS METER LOCATION REQUIREMENTS IN SECTION 6 OF THIS VOLUME MUST ALSO BE ADHERED TO.


MATERIALS LIST - GMI25G			
ITEM	STOCK #	QTY	DESCRIPTION
A	45-1320	1.0	NIPPLE PIPE 1 1/4" X 2" BLACK
B	45-1830	1.0	REDUCER 2" X 1 1/4" BLACK
C	45-1510	4.0	NIPPLE PIPE 2" X CLOSE BLACK
D	45-1550	4.0	NIPPLE PIPE 2" X 4" BLACK
E	45-0760	5.0	ELBOW BLACK 90 DEGREE 2"
G	43-0080	1.0	COCK GAS METER 2"
H	45-2190	1.0	TEE REDUCING 2" X 2" X 1" BLACK
J	45-1240	1.0	NIPPLE PIPE 1" X 3" BLACK
K	43-0050	1.0	COCK GAS METER 1"
L	45-1720	1.0	PLUG PIPE 1" BLACK
M	45-1520	1.0	NIPPLE PIPE 2" X 2 1/2" BLACK

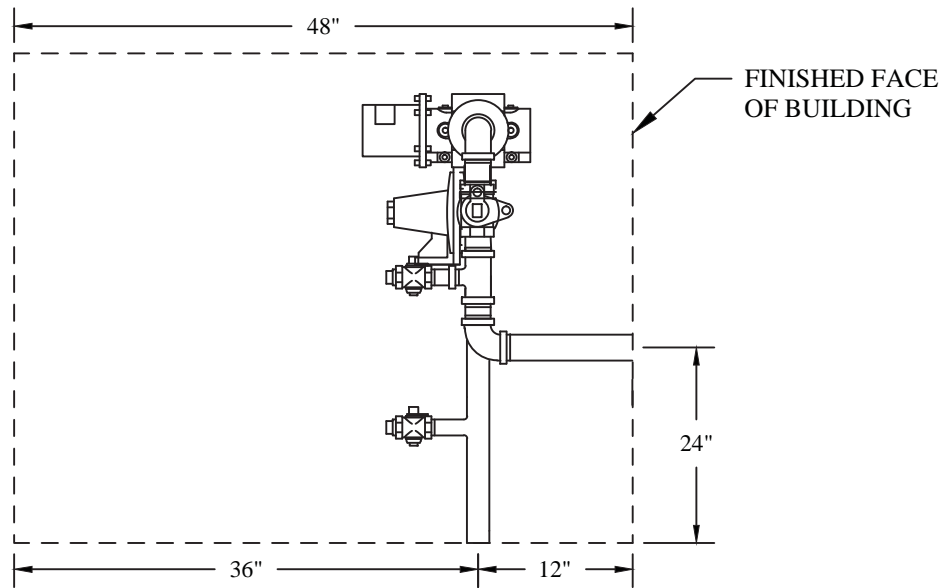
	VOLUME 15 - ENGINEERING & CONSTRUCTION STANDARD	GGMI-FAC								
	GAS METER INSTALLATIONS 1000 CFH 1 METER									
<table border="1" style="width: 100%; border-collapse: collapse;"> <tr> <td style="width: 25%;">Drawn:</td> <td style="width: 25%;">Eng:</td> <td style="width: 25%;">Appr:</td> <td style="width: 25%;">Date:</td> </tr> <tr> <td>CM</td> <td>XX</td> <td>XX</td> <td>6/2017</td> </tr> </table>	Drawn:	Eng:	Appr:	Date:	CM	XX	XX	6/2017	Revision: X Page 23 of 33	
Drawn:	Eng:	Appr:	Date:							
CM	XX	XX	6/2017							




NOTES:

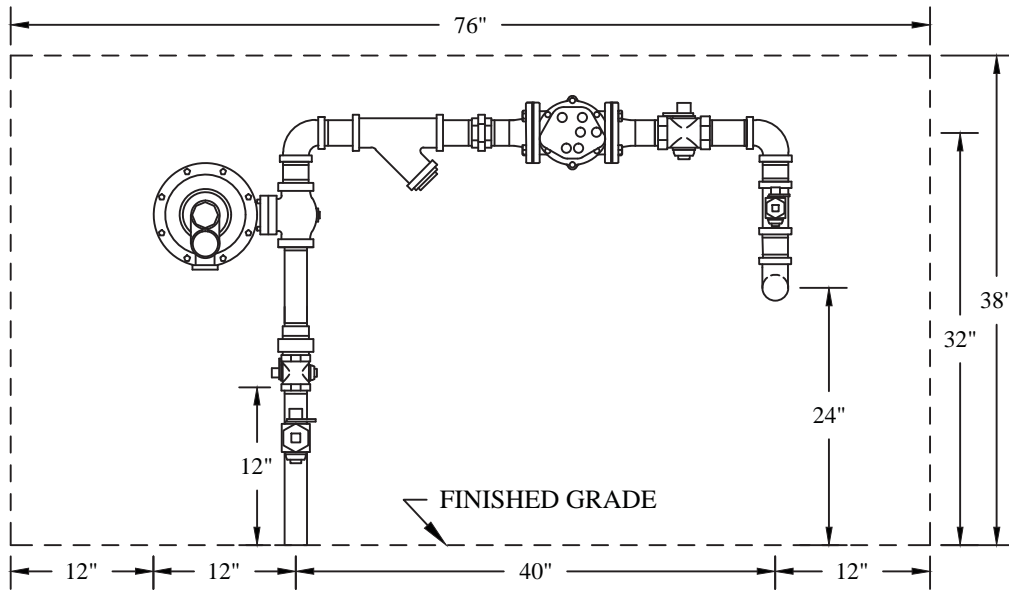
- 1) THIS COMPATIBLE UNIT REQUIRES A 1 1/4" RISER.
- 2) DASHED LINE REPRESENTS MINIMUM SPACE REQUIREMENTS FOR THIS METER SET.
- 3) CUSTOMER SHALL STUB OUT 4" FROM FINISH FACE OF BUILDING WITH 2" STEEL PIPE AND INSTALL A 2" 90 DEGREE ELBOW HAND TIGHT.
- 4) DIMENSIONS ABOVE ARE MINIMUM REQUIREMENTS FOR METER ACCESSIBILITY. ADDITIONAL GAS METER LOCATION REQUIREMENTS IN SECTION 6 OF THIS VOLUME MUST ALSO BE ADHERED TO.

	VOLUME 15 - ENGINEERING & CONSTRUCTION STANDARD				GGMI-GAC
	GAS METER INSTALLATIONS 2 M 1 METER				
Drawn:	Eng:	Appr:	Date:	Revision: X	
CM	CLD	XX	6/2017	Page 24 of 33	




MATERIALS LIST - GMI28G			
ITEM	STOCK #	QTY	DESCRIPTION
A	47-7007	1.0	2M ROTARY METER
B	47-6287	1.0	1-1/4" X 2" REGULATOR
C	47-7102	2.0	ROTARY INSTALL KIT: 2" FF FLANGE X 2" MNPT
D	45-1748	1.0	2" FNPT Y-STRAINER, 100 MESH
E	45-1510	3.0	NIPPLE PIPE 2" X CLOSE BLACK
F	45-0760	3.0	ELBOW BLACK 90 DEGREE 2"
G	45-1530	3.0	NIPPLE PIPE 2" X 3" BLACK
H	45-1550	1.0	NIPPLE PIPE 2" X 4" BLACK
I	45-1600	1.0	NIPPLE PIPE 2" X 12" BLACK
J	45-4020	2.0	UNION INSULATED BLACK 2"
K	45-1520	1.0	NIPPLE PIPE 2" X 2 1/2" BLACK
L	43-0080	1.0	COCK GAS METER 2"
M	43-0080	1.0	COCK GAS METER 2"
N	45-2190	1.0	TEE REDUCING 2" X 2" X 1" BLACK
O	45-1240	1.0	NIPPLE PIPE 1" X 3" BLACK
P	43-0050	1.0	COCK GAS METER 1"
Q	45-1720	1.0	PLUG PIPE 1" BLACK

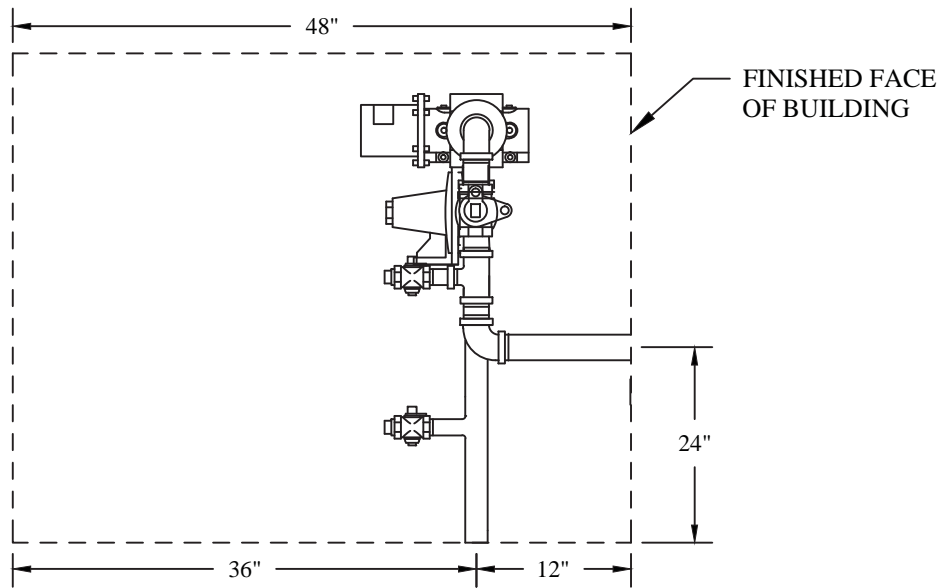
	VOLUME 15 - ENGINEERING & CONSTRUCTION STANDARD				GGMI-GAC
	GAS METER INSTALLATIONS 2 M 1 METER				
Drawn:	Eng:	Appr:	Date:	Revision: X	
CM	CLD	XX	6/2017	Page 25 of 33	




NOTES:

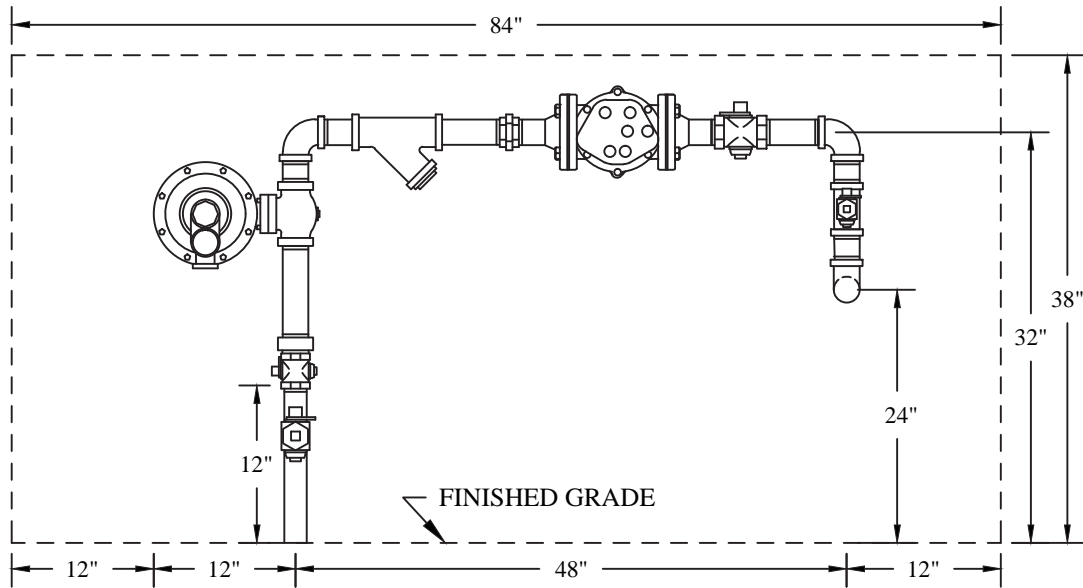
- 1) THIS COMPATIBLE UNIT REQUIRES A 1 1/4" RISER.
- 2) DASHED LINE REPRESENTS MINIMUM SPACE REQUIREMENTS FOR THIS METER SET.
- 3) CUSTOMER SHALL STUB OUT 4" FROM FINISH FACE OF BUILDING WITH 2" STEEL PIPE AND INSTALL A 2" 90 DEGREE ELBOW HAND TIGHT.
- 4) DIMENSIONS ABOVE ARE MINIMUM REQUIREMENTS FOR METER ACCESSIBILITY. ADDITIONAL GAS METER LOCATION REQUIREMENTS IN SECTION 6 OF THIS VOLUME MUST ALSO BE ADHERED TO.

	VOLUME 15 - ENGINEERING & CONSTRUCTION STANDARD			GGMI-HAC
	GAS METER INSTALLATIONS 3 M 1 METER			
Drawn:	Eng:	Appr:	Date:	Revision: X
CM	CLD	XX	6/2017	Page 26 of 33



MATERIALS LIST - GMI29G			
ITEM	STOCK #	QTY	DESCRIPTION
A	47-7010	1.0	3M ROTARY METER, TC
B	47-7102	2.0	ROTARY METER INSTALLATION KIT, 2" FF FLANGE X 2" MNPT
C	47-6287	1.0	1-1/4" X 2" REGULATOR
D	45-1748	1.0	2" FNPT Y-STRAINE, 100 MESH
E	45-1320	1.0	NIPPLE PIPE 1 1/4" X 2" BLACK
F	45-1510	3.0	NIPPLE PIPE 2" X CLOSE BLACK
G	45-0760	3.0	ELBOW BLACK 90 DEGREE 2"
H	45-1530	3.0	NIPPLE PIPE 2" X 3" BLACK
I	45-1550	1.0	NIPPLE PIPE 2" X 4" BLACK
J	45-1600	1.0	NIPPLE PIPE 2" X 12" BLACK
K	45-4020	2.0	UNION INSULATED BLACK 2"
L	45-1520	1.0	NIPPLE PIPE 2" X 2 1/2" BLACK
M	43-0080	1.0	COCK GAS METER 2"
N	45-2190	1.0	TEE REDUCING 2" X 2" X 1" BLACK
O	45-1240	1.0	NIPPLE PIPE 1" X 3" BLACK
P	43-0050	1.0	COCK GAS METER 1"
Q	45-1720	1.0	PLUG PIPE 1" BLACK

	VOLUME 15 - ENGINEERING & CONSTRUCTION STANDARD				GGMI-HAC
	GAS METER INSTALLATIONS 3 M 1 METER				
Drawn:	Eng:	Appr:	Date:	Revision: X	
CM	CLD	XX	6/2017	Page 27 of 33	




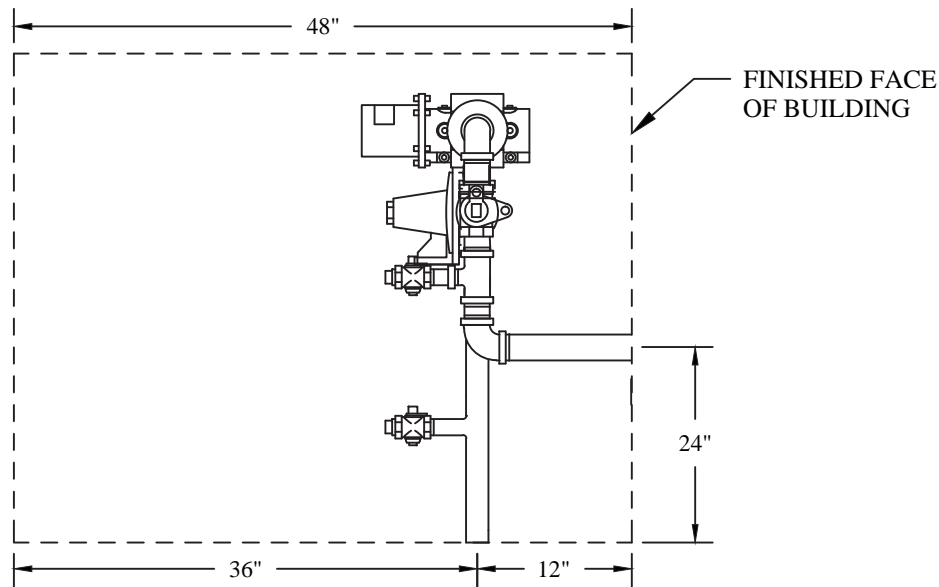
NOTES:

- 1) THIS COMPATIBLE UNIT REQUIRES A 2" RISER.
- 2) DASHED LINE REPRESENTS MINIMUM SPACE REQUIREMENTS FOR THIS METER SET.
- 3) CUSTOMER SHALL STUB OUT 4" FROM FINISH FACE OF BUILDING WITH 2" STEEL PIPE AND INSTALL A 2" 90 DEGREE ELBOW HAND TIGHT.


**OTHER CONNECTIONS (THREADED OR FLANGED) MAY BE ACCEPTABLE WITH NVE SERVICE CENTER APPROVAL. 834-7615

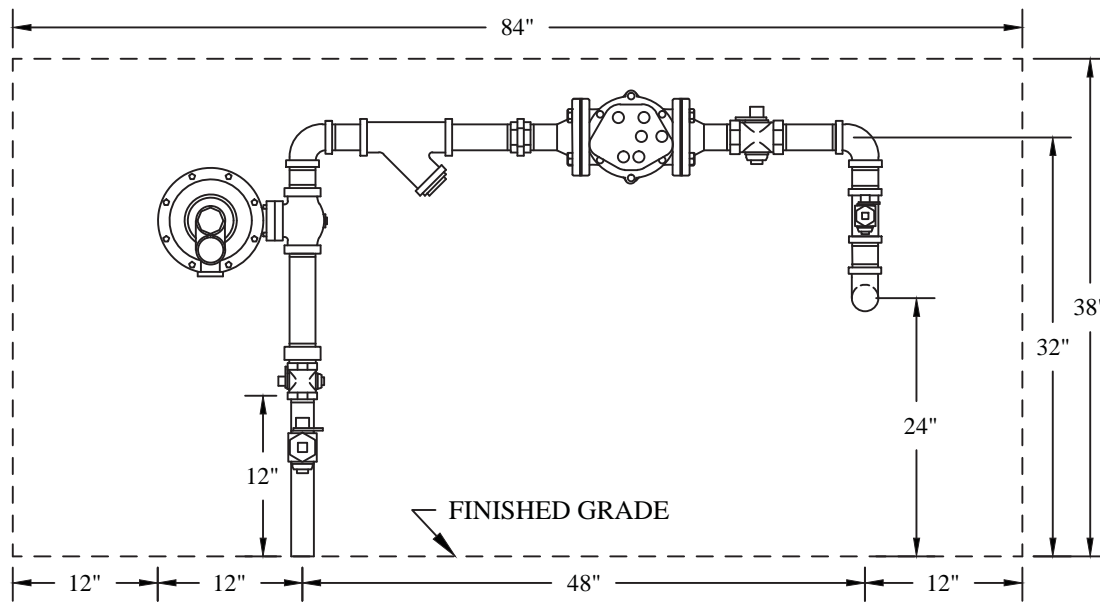
- 4) DIMENSIONS ABOVE ARE MINIMUM REQUIREMENTS FOR METER ACCESSIBILITY. ADDITIONAL GAS METER LOCATION REQUIREMENTS IN SECTION 6 OF THIS VOLUME MUST ALSO BE ADHERED TO.

	VOLUME 15 - ENGINEERING & CONSTRUCTION STANDARD				GGMI-JAD
	GAS METER INSTALLATIONS 5 M 1 METER				
Drawn:	Eng:	Appr:	Date:	Revision: X	
CM	CLD	XX	10/2017	Page 28 of 33	



MATERIALS LIST - GMI33G			
ITEM	STOCK #	QTY	DESCRIPTION
A	47-7015	1.0	5M ROTARY METER, TC
B	47-7103	2.0	ROTARY METER INSTALLATION KIT, 3" FF FLANGE X 2" MNPT
C	47-6288	1.0	2" X 2" REGULATOR
D	45-1748	1.0	2" FNPT Y-STRAINER, 100 MESH
E	45-1320	1.0	NIPPLE PIPE 1 1/4" X 2" BLACK
F	45-1510	3.0	NIPPLE PIPE 2" X CLOSE BLACK
G	45-0760	3.0	ELBOW BLACK 90 DEGREE 2"
H	45-1530	3.0	NIPPLE PIPE 2" X 3" BLACK
I	45-1550	1.0	NIPPLE PIPE 2" X 4" BLACK
J	45-1600	1.0	NIPPLE PIPE 2" X 12" BLACK
K	45-4020	2.0	UNION INSULATED BLACK 2"
L	45-1520	1.0	NIPPLE PIPE 2" X 2 1/2" BLACK
M	43-0080	1.0	COCK GAS METER 2"
N	45-2190	1.0	TEE REDUCING 2" X 2" X 1" BLACK
O	45-1240	1.0	NIPPLE PIPE 1" X 3" BLACK
P	43-0050	1.0	COCK GAS METER 1"
Q	45-1720	1.0	PLUG PIPE 1" BLACK

	VOLUME 15 - ENGINEERING & CONSTRUCTION STANDARD		GGMI-JAD
	GAS METER INSTALLATIONS 5 M 1 METER		
Drawn: CM Eng: CLD Appr: XX Date: 10/2017			Revision: X Page 29 of 33




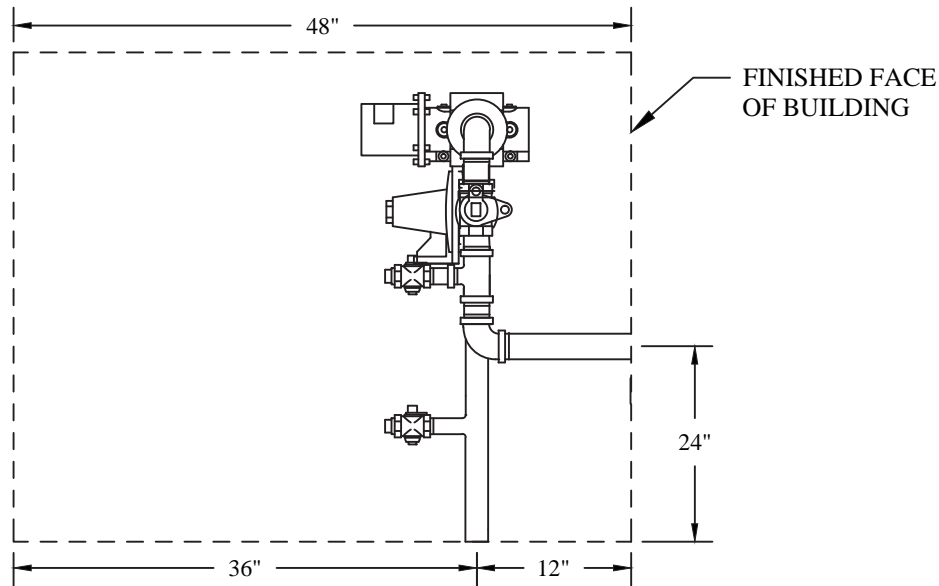
NOTES:

- 1) THIS COMPATIBLE UNIT REQUIRES A 2" RISER.
- 2) DASHED LINE REPRESENTS MINIMUM SPACE REQUIREMENTS FOR THIS METER SET.
- 3) CUSTOMER SHALL STUB OUT 4" FROM FINISH FACE OF BUILDING WITH 2" STEEL PIPE AND INSTALL A 2" 90 DEGREE ELBOW HAND TIGHT.


**OTHER CONNECTIONS (THREADED OR FLANGED) MAY BE ACCEPTABLE WITH NVE SERVICE CENTER APPROVAL. 834-7615

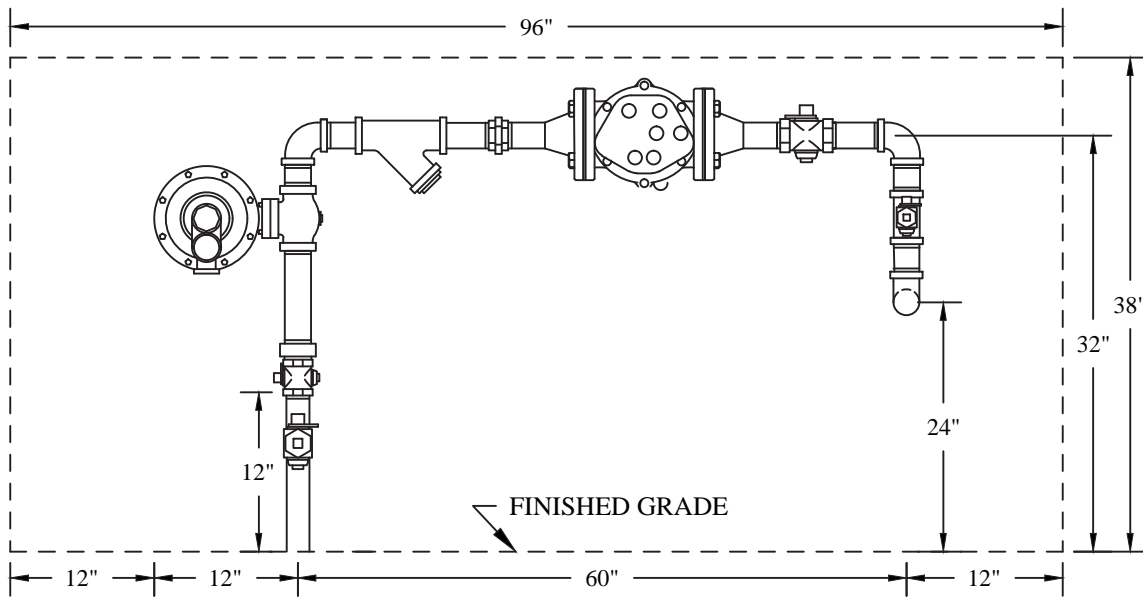
- 4) DIMENSIONS ABOVE ARE MINIMUM REQUIREMENTS FOR METER ACCESSIBILITY. ADDITIONAL GAS METER LOCATION REQUIREMENTS IN SECTION 6 OF THIS VOLUME MUST ALSO BE ADHERED TO.

	VOLUME 15 - ENGINEERING & CONSTRUCTION STANDARD				GGMI-LAD
	GAS METER INSTALLATIONS 7 M 1 METER				
Drawn:	Eng:	Appr:	Date:	Revision: X	
CM	CLD	XX	10/2017	Page 30 of 33	



MATERIALS LIST - GMI34G			
ITEM	STOCK #	QTY	DESCRIPTION
A	47-7020	1.0	7M ROTARY METER, TC
B	47-7103	2.0	ROTARY METER INSTALLATION KIT, 3" FF FLANGE X 2" MNPT
C	47-6288	1.0	2" X 2" REGULATOR
D	45-1748	1.0	2" FNPT Y-STRAINER, 100 MESH
E	45-1320	1.0	NIPPLE PIPE 1 1/4" X 2" BLACK
F	45-1510	3.0	NIPPLE PIPE 2" X CLOSE BLACK
G	45-0760	3.0	ELBOW BLACK 90 DEGREE 2"
H	45-1530	3.0	NIPPLE PIPE 2" X 3" BLACK
I	45-1550	1.0	NIPPLE PIPE 2" X 4" BLACK
J	45-1600	1.0	NIPPLE PIPE 2" X 12" BLACK
K	45-4020	2.0	UNION INSULATED BLACK 2"
L	45-1520	1.0	NIPPLE PIPE 2" X 2 1/2" BLACK
M	43-0080	1.0	COCK GAS METER 2"
N	45-2190	1.0	TEE REDUCING 2" X 2" X 1" BLACK
O	45-1240	1.0	NIPPLE PIPE 1" X 3" BLACK
P	43-0050	1.0	COCK GAS METER 1"
Q	45-1720	1.0	PLUG PIPE 1" BLACK

	VOLUME 15 - ENGINEERING & CONSTRUCTION STANDARD		GGMI-LAD								
	GAS METER INSTALLATIONS 7 M 1 METER										
<table border="1"> <tr> <td>Drawn:</td> <td>Eng:</td> <td>Appr:</td> <td>Date:</td> </tr> <tr> <td>CM</td> <td>CLD</td> <td>XX</td> <td>10/2017</td> </tr> </table>	Drawn:	Eng:	Appr:	Date:	CM	CLD	XX	10/2017			Revision: X Page 31 of 33
Drawn:	Eng:	Appr:	Date:								
CM	CLD	XX	10/2017								




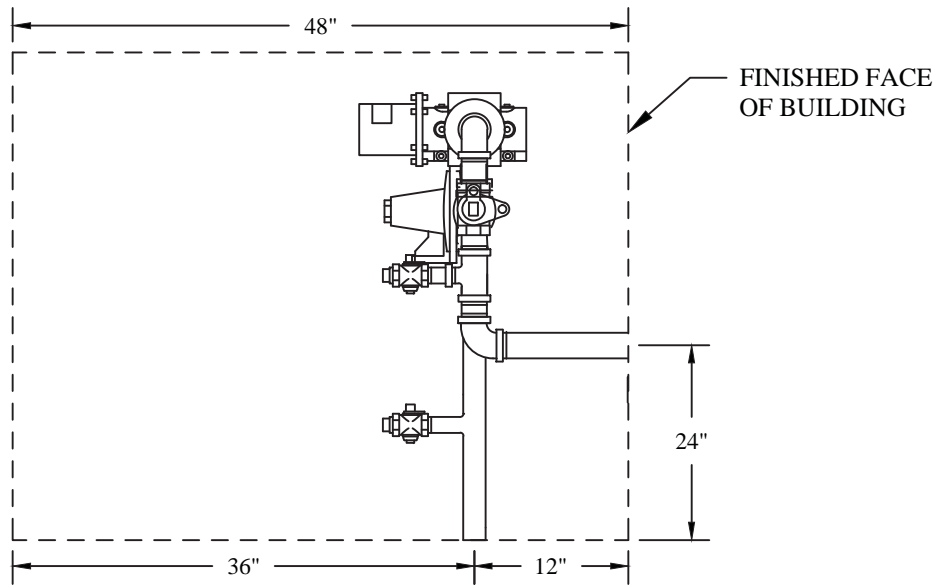
NOTES:

- 1) THIS COMPATIBLE UNIT REQUIRES A 2" RISER.
- 2) DASHED LINE REPRESENTS MINIMUM SPACE REQUIREMENTS FOR THIS METER SET.
- 3) CUSTOMER SHALL STUB OUT 4" FROM FINISH FACE OF BUILDING WITH 2" STEEL PIPE AND INSTALL A 2" 90 DEGREE ELBOW HAND TIGHT.


**OTHER CONNECTIONS (THREADED OR FLANGED) MAY BE ACCEPTABLE WITH NVE SERVICE CENTER APPROVAL. 834-7615

- 4) DIMENSIONS ABOVE ARE MINIMUM REQUIREMENTS FOR METER ACCESSIBILITY. ADDITIONAL GAS METER LOCATION REQUIREMENTS IN SECTION 6 OF THIS VOLUME MUST ALSO BE ADHERED TO.

	VOLUME 15 - ENGINEERING & CONSTRUCTION STANDARD			GGMI-MAD
	GAS METER INSTALLATIONS 11 M 1 METER			
Drawn:	Eng:	Appr:	Date:	Revision: X
CM	XX	XX	6/2017	Page 32 of 33



MATERIALS LIST - GMI36G			
ITEM	STOCK #	QTY	DESCRIPTION
A	47-7023	1.0	11M ROTARY METER, TC
B	47-7104	2.0	ROTARY METER INSTALLATION KIT, 4" FF FLANGE X 2" MNPT
C	47-6288	1.0	2" X 2" REGULATOR
D	45-1748	1.0	2" FNPT Y-STRAINER, 100 MESH
E	45-1320	1.0	NIPPLE PIPE 1 1/4" X 2" BLACK
F	45-1510	3.0	NIPPLE PIPE 2" X CLOSE BLACK
G	45-0760	3.0	ELBOW BLACK 90 DEGREE 2"
H	45-1530	3.0	NIPPLE PIPE 2" X 3" BLACK
I	45-1550	1.0	NIPPLE PIPE 2" X 4" BLACK
J	45-1600	1.0	NIPPLE PIPE 2" X 12" BLACK
K	45-4020	2.0	UNION INSULATED BLACK 2"
L	45-1520	1.0	NIPPLE PIPE 2" X 2 1/2" BLACK
M	43-0080	1.0	COCK GAS METER 2"
N	45-2190	1.0	TEE REDUCING 2" X 2" X 1" BLACK
O	45-1240	1.0	NIPPLE PIPE 1" X 3" BLACK
P	43-0050	1.0	COCK GAS METER 1"
Q	45-1720	1.0	PLUG PIPE 1" BLACK

	VOLUME 15 - ENGINEERING & CONSTRUCTION STANDARD				GGMI-MAD
	GAS METER INSTALLATIONS 11 M 1 METER				
Drawn:	Eng:	Appr:	Date:	Revision: X	
CM	CLD	XX	6/2017	Page 33 of 33	