


SERVICE TAP INSTALLATION

	<u>CU LISTING</u>	<u>PAGE NUMBER</u>
<u>1/2" PE SERVICE</u>		
COMPLETE SINGLE SERVICE OFF 2" PE MAIN (STI04)	GSTI-AAA/DAA	PAGE 3
COMPLETE SINGLE SERVICE OFF 4" PE MAIN (STI04)	GSTI-BAA/EAA	PAGE 4
COMPLETE SINGLE SERVICE OFF 6" PE MAIN (STI04)	GSTI-CAA/FAA	PAGE 5
COMPLETE SINGLE SERVICE OFF STEEL MAIN (STI18)	GSTI-GAA	PAGE 6
<u>3/4" PE SERVICE</u>		
SERVICE STUB OFF 2" PE MAIN (STI01)	GSTI-ABA/DBA	PAGE 7
SERVICE STUB OFF 4" PE MAIN (STI01)	GSTI-BBA/EBA	PAGE 8
SERVICE STUB OFF 6" PE MAIN (STI01)	GSTI-CBA/FBA	PAGE 9
SERVICE STUB OFF STEEL MAIN (STI15)	GSTI-GBA	PAGE 10
COMPLETE SINGLE SERVICE OFF 2" PE MAIN (STI05)	GSTI-ABB/DBB	PAGE 11
COMPLETE SINGLE SERVICE OFF 4" PE MAIN (STI05)	GSTI-BBB/EBB	PAGE 12
COMPLETE SINGLE SERVICE OFF 6" PE MAIN (STI05)	GSTI-CBB/FBB	PAGE 13
COMPLETE SINGLE SERVICE OFF STEEL MAIN (STI19)	GSTI-GBB	PAGE 14
COMPLETE BRANCH SERVICE OFF 2" PE MAIN (STI08)	GSTI-ABC/DBC	PAGE 15
COMPLETE BRANCH SERVICE OFF 4" PE MAIN (STI08)	GSTI-BBC/EBC	PAGE 16
COMPLETE BRANCH SERVICE OFF 6" PE MAIN (STI08)	GSTI-CBC/FBC	PAGE 17
COMPLETE BRANCH SERVICE OFF STEEL MAIN (STI22)	GSTI-GBC	PAGE 18
SINGLE SERVICE COMPLETION (STI26)	GSTI-HBD/HBF	PAGE 19
BRANCH SERVICE COMPLETION (STI29)	GSTI-HBE	PAGE 20
<u>1" PE SERVICE</u>		
SERVICE STUB OFF 2" PE MAIN (STI02)	GSTI-ACA/DCA	PAGE 21
SERVICE STUB OFF 4" PE MAIN (STI02)	GSTI-BCA/ECA	PAGE 22
SERVICE STUB OFF 6" PE MAIN (STI03)	GSTI-CCA/FCA	PAGE 23
SERVICE STUB OFF STEEL MAIN (STI16)	GSTI-GCA	PAGE 24
COMPLETE SINGLE SERVICE OFF 2" PE MAIN (STI06)	GSTI-ACB/DCB	PAGE 25
COMPLETE SINGLE SERVICE OFF 4" PE MAIN (STI06)	GSTI-BCB/ECB	PAGE 26
COMPLETE SINGLE SERVICE OFF 6" PE MAIN (STI06)	GSTI-CCB/FCB	PAGE 27
COMPLETE SINGLE SERVICE OFF STEEL MAIN (STI20)	GSTI-GCB	PAGE 28

	VOLUME 15 – ENGINEERING & CONSTRUCTION STANDARD			GSTI-XXX
	SERVICE TAP INSTALLATIONS INDEX			
Drawn:	Eng:	Appr:	Date:	Revision: 1
CM	CLD		06/2017	Page 1 of 53

COMPLETE BRANCH SERVICE OFF 2" PE MAIN (STI09)	GSTI-ACC/DCC	PAGE 29
COMPLETE BRANCH SERVICE OFF 4" PE MAIN (STI09)	GSTI-BCC/ECC	PAGE 30
COMPLETE BRANCH SERVICE OFF 6" PE MAIN (STI09)	GSTI-CCC/FCC	PAGE 31
COMPLETE BRANCH SERVICE OFF STEEL MAIN (STI23)	GSTI-GCC	PAGE 32
SINGLE SERVICE COMPLETION (STI26)	GSTI-HCD/HCF	PAGE 33
BRANCH SERVICE COMPLETION (STI30)	GSTI-HCE	PAGE 34

1 1/4" PE SERVICE


SERVICE STUB OFF 2" PE MAIN (STI03)	GSTI-ADA/DDA	PAGE 35
SERVICE STUB OFF 4" PE MAIN (STI03)	GSTI-BDA/EDA	PAGE 36
SERVICE STUB OFF 6" PE MAIN (STI03)	GSTI-CDA/FDA	PAGE 37
SERVICE STUB OFF STEEL MAIN (STI17)	GSTI-GDA	PAGE 38
COMPLETE SINGLE SERVICE OFF 2" PE MAIN (STI07)	GSTI-ADB/DDB	PAGE 39
COMPLETE SINGLE SERVICE OFF 4" PE MAIN (STI07)	GSTI-BDB/EDB	PAGE 40
COMPLETE SINGLE SERVICE OFF 6" PE MAIN (STI07)	GSTI-CDB/FDB	PAGE 41
COMPLETE SINGLE SERVICE OFF STEEL MAIN (STI21)	GSTI-GDB	PAGE 42
SINGLE SERVICE COMPLETION (STI27)	GSTI-HDD/HDF	PAGE 43

2" PE SERVICE

SERVICE STUB OFF NEW PE MAIN (STI10)	GSTI-AEA/BEA/CEA	PAGE 44
SERVICE STUB OFF EXISTING PE MAIN (STI11)	GSTI-DEA/EEA/FEA	PAGE 45
COMPLETE SINGLE SERVICE OFF NEW PE MAIN (STI10)	GSTI-AEB/BEB/CEB	PAGE 46
COMPLETE SINGLE SERVICE OFF EXISTING PE (STI11)	GSTI-DEB/EEB/FEB	PAGE 47
COMPLETE SINGLE SERVICE OFF STEEL MAIN (STI24)	GSTI-GEA/GEB/HEF	PAGE 48
SINGLE SERVICE COMPLETION (STI10)	GSTI-HED	PAGE 49

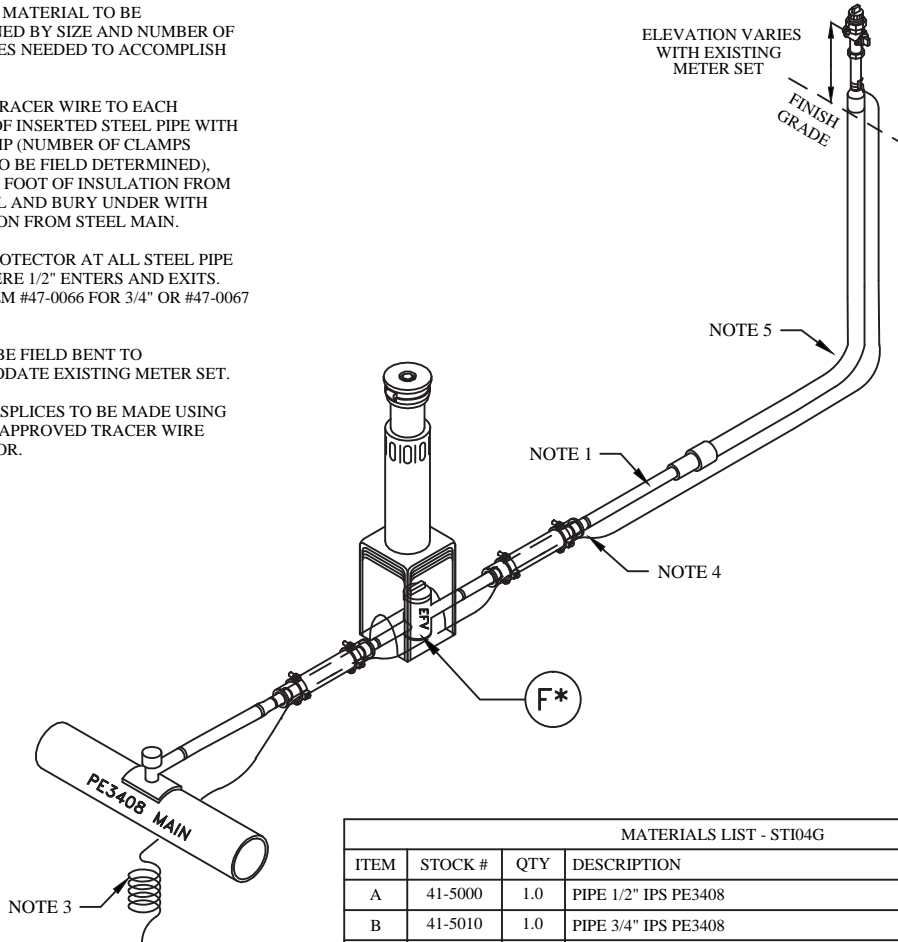
COMMERCIAL SERVICE

4", 6" PE COMPLETE SERVICE OFF NEW 4", 6" PE (STI12)	GSTI-BFB/CFB/CGB	PAGE 50
4" PE COMPLETE SERVICE OFF EXISTING 4" PE (STI13)	GSTI-EFB	PAGE 51
6" PE COMPLETE SERVICE OFF EXISTING 6" PE (STI14)	GSTI-FFB	PAGE 52
4" SINGLE SERVICE OFF STEEL MAIN (STI25)	GSTI-GFB/HFF	PAGE 53

	VOLUME 15 – ENGINEERING & CONSTRUCTION STANDARD			GSTI-XXX
	SERVICE TAP INSTALLATIONS INDEX			
Drawn:	Eng:	Appr:	Date:	Revision: 1
CM	CLD		06/2017	Page 2 of 53

NOTES:

- 1) 1/2" PE3408 PIPE LENGTH TO BE DETERMINED BY PLANNER. PIPE TO BE INSERTED THROUGH EXISTING SERVICE LINE.
- 2) BACKFILL MATERIAL TO BE DETERMINED BY SIZE AND NUMBER OF BELL HOLES NEEDED TO ACCOMPLISH INSERT.
- 3) ATTACH TRACER WIRE TO EACH SECTION OF INSERTED STEEL PIPE WITH PIPE CLAMP (NUMBER OF CLAMPS NEEDED TO BE FIELD DETERMINED), STRIP ONE FOOT OF INSULATION FROM WIRE, COIL AND BURY UNDER WITH SEPARATION FROM STEEL MAIN.
- 4) INSERT PROTECTOR AT ALL STEEL PIPE ENDS WHERE 1/2" ENTERS AND EXITS. STOCK ITEM #47-0066 FOR 3/4" OR #47-0067 FOR 1"
- 5) RISER TO BE FIELD BENT TO ACCOMMODATE EXISTING METER SET.
- 6) ALL WIRE SPLICES TO BE MADE USING CURRENT APPROVED TRACER WIRE CONNECTOR.

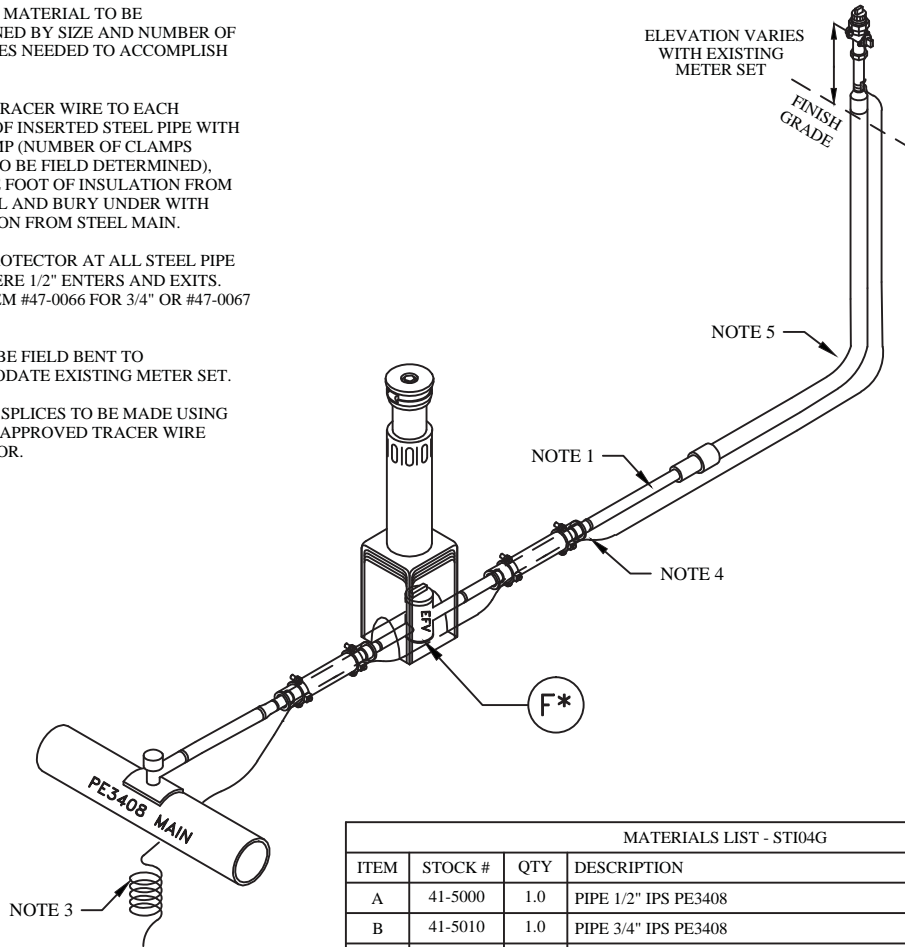


MATERIALS LIST - STI04G			
ITEM	STOCK #	QTY	DESCRIPTION
A	41-5000	1.0	PIPE 1/2" IPS PE3408
B	41-5010	1.0	PIPE 3/4" IPS PE3408
C	45-1752	1.0	REDUCER 3/4" X 1/2" (.090) BUTT FUSION PE3408
D	45-1900	1.0	RISER GAS 1/2"
E	43-0110	1.0	COCK GAS METER 3/4" (INSULATED)
F*	43-1991	1.0	EFV VALVE 1/2" PE3408 800 SCFH
F*	43-1990	1.0	VALVE 1/2" PE3408; ONLY USE IF LOAD EXCEEDS 800 SCFH
G	43-0015	1.0	BOX CURB GAS FOR 3/4" AND 1" VALVES
H	45-1710	1.0	PLUG PIPE 3/4" BLACK
I	45-7000	1.0	TRACER WIRE CONNECTOR
J	45-7500	10.0	WIRE, TRACER YELLOW #14
K	45-2164	1.0	2" TAPPING TEE
L	45-0330	N. 3	PIPE CLAMP

	VOLUME 15 - ENGINEERING & CONSTRUCTION STANDARD	GSTI-AAA GSTI-DAA
	SERVICE TAP INSTALLATIONS 1/2" PE COMPLETE SINGLE SERVICE INSERT REPLACEMENT OFF 2" PE MAIN	
Drawn: CM Eng: CLD Appr: XX Date: 6/2017		Revision: X Page 3 of 53

NOTES:

- 1) 1/2" PE3408 PIPE LENGTH TO BE DETERMINED BY PLANNER. PIPE TO BE INSERTED THROUGH EXISTING SERVICE LINE.
- 2) BACKFILL MATERIAL TO BE DETERMINED BY SIZE AND NUMBER OF BELL HOLES NEEDED TO ACCOMPLISH INSERT.
- 3) ATTACH TRACER WIRE TO EACH SECTION OF INSERTED STEEL PIPE WITH PIPE CLAMP (NUMBER OF CLAMPS NEEDED TO BE FIELD DETERMINED), STRIP ONE FOOT OF INSULATION FROM WIRE, COIL AND BURY UNDER WITH SEPARATION FROM STEEL MAIN.
- 4) INSERT PROTECTOR AT ALL STEEL PIPE ENDS WHERE 1/2" ENTERS AND EXITS. STOCK ITEM #47-0066 FOR 3/4" OR #47-0067 FOR 1"
- 5) RISER TO BE FIELD BENT TO ACCOMMODATE EXISTING METER SET.
- 6) ALL WIRE SPLICES TO BE MADE USING CURRENT APPROVED TRACER WIRE CONNECTOR.

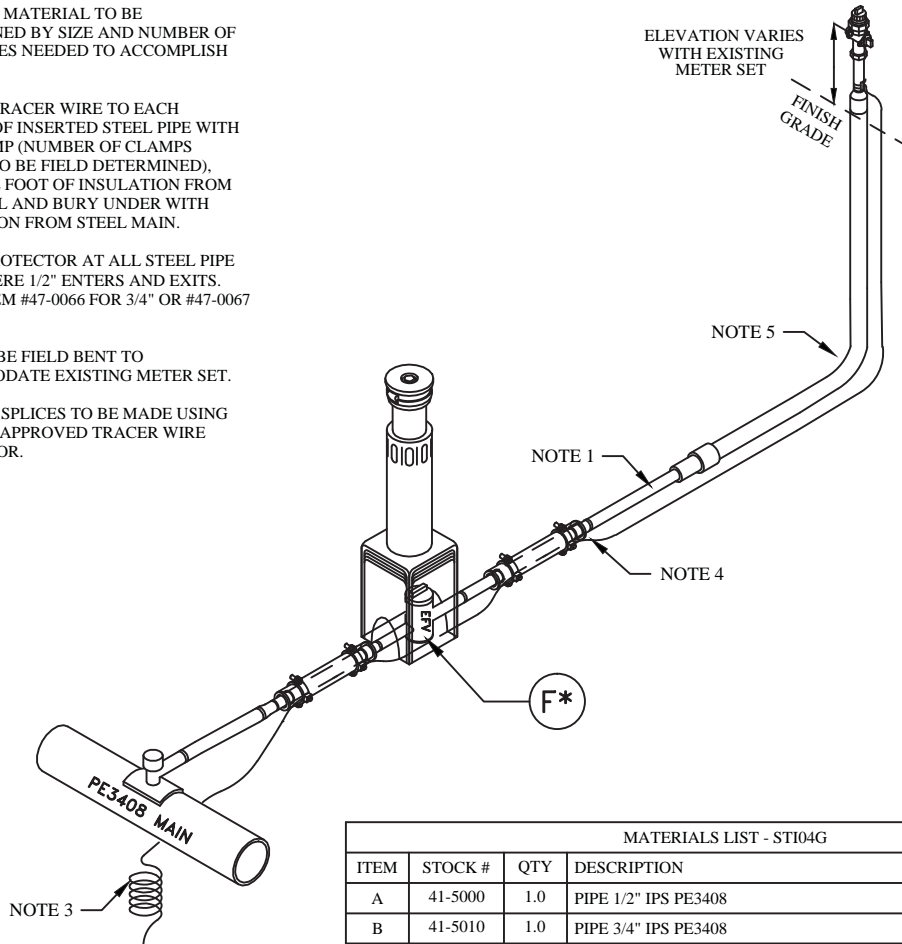


MATERIALS LIST - STI04G			
ITEM	STOCK #	QTY	DESCRIPTION
A	41-5000	1.0	PIPE 1/2" IPS PE3408
B	41-5010	1.0	PIPE 3/4" IPS PE3408
C	45-1752	1.0	REDUCER 3/4" X 1/2" (.090) BUTT FUSION PE3408
D	45-1900	1.0	RISER GAS 1/2"
E	43-0110	1.0	COCK GAS METER 3/4" (INSULATED)
F*	43-1991	1.0	EFV VALVE 1/2" PE3408 800 SCFH
F*	43-1990	1.0	VALVE 1/2" PE3408; ONLY USE IF LOAD EXCEEDS 800 SCFH
G	43-0015	1.0	BOX CURB GAS FOR 3/4" AND 1" VALVES
H	45-1710	1.0	PLUG PIPE 3/4" BLACK
I	45-7000	1.0	TRACER WIRE CONNECTOR
J	45-7500	10.0	WIRE, TRACER YELLOW #14
K	45-2168	1.0	4" TAPPING TEE
L	45-0330	N. 3	PIPE CLAMP

	VOLUME 15 - ENGINEERING & CONSTRUCTION STANDARD	GSTI-BAA GSTI-EAA
	SERVICE TAP INSTALLATIONS 1/2" PE COMPLETE SINGLE SERVICE INSERT REPLACEMENT OFF 4" PE MAIN	
Drawn: CM Eng: CLD Appr: XX Date: 6/2017		Revision: X Page 4 of 53

NOTES:

- 1) 1/2" PE3408 PIPE LENGTH TO BE DETERMINED BY PLANNER. PIPE TO BE INSERTED THROUGH EXISTING SERVICE LINE.
- 2) BACKFILL MATERIAL TO BE DETERMINED BY SIZE AND NUMBER OF BELL HOLES NEEDED TO ACCOMPLISH INSERT.
- 3) ATTACH TRACER WIRE TO EACH SECTION OF INSERTED STEEL PIPE WITH PIPE CLAMP (NUMBER OF CLAMPS NEEDED TO BE FIELD DETERMINED), STRIP ONE FOOT OF INSULATION FROM WIRE, COIL AND BURY UNDER WITH SEPARATION FROM STEEL MAIN.
- 4) INSERT PROTECTOR AT ALL STEEL PIPE ENDS WHERE 1/2" ENTERS AND EXITS. STOCK ITEM #47-0066 FOR 3/4" OR #47-0067 FOR 1"
- 5) RISER TO BE FIELD BENT TO ACCOMMODATE EXISTING METER SET.
- 6) ALL WIRE SPLICES TO BE MADE USING CURRENT APPROVED TRACER WIRE CONNECTOR.

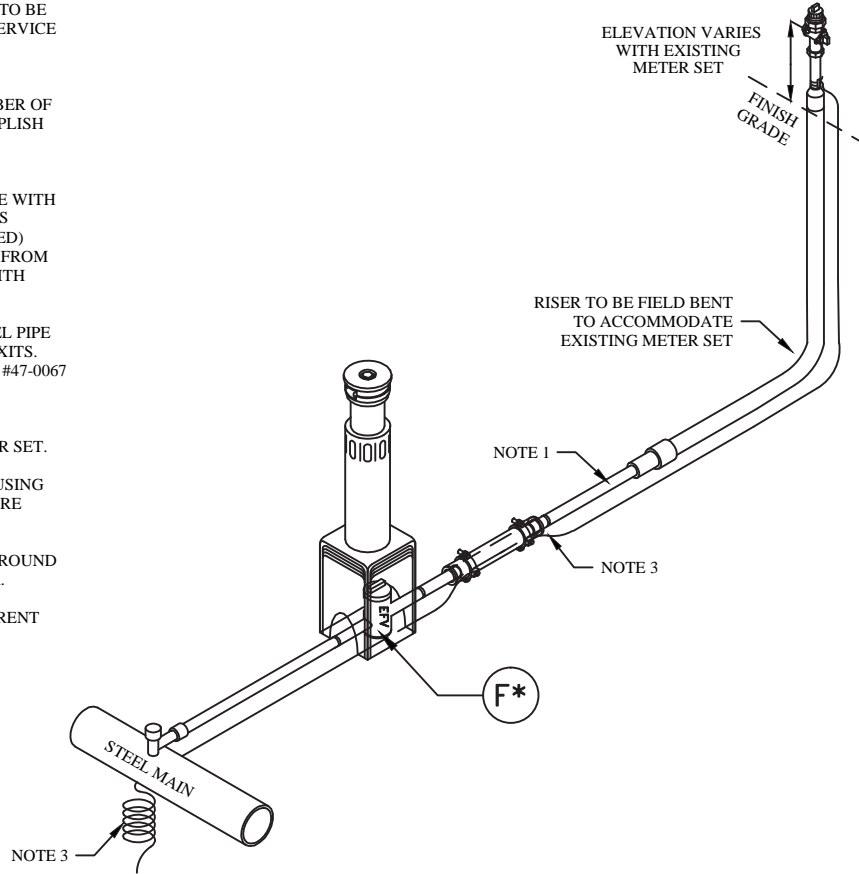


MATERIALS LIST - STI04G			
ITEM	STOCK #	QTY	DESCRIPTION
A	41-5000	1.0	PIPE 1/2" IPS PE3408
B	41-5010	1.0	PIPE 3/4" IPS PE3408
C	45-1752	1.0	REDUCER 3/4" X 1/2" (.090) BUTT FUSION PE3408
D	45-1900	1.0	RISER GAS 1/2"
E	43-0110	1.0	COCK GAS METER 3/4" (INSULATED)
F*	43-1991	1.0	EFV VALVE 1/2" PE3408 800 SCFH
F*	43-1990	1.0	VALVE 1/2" PE3408; ONLY USE IF LOAD EXCEEDS 800 SCFH
G	43-0015	1.0	BOX CURB GAS FOR 3/4" AND 1" VALVES
H	45-1710	1.0	PLUG PIPE 3/4" BLACK
I	45-7000	1.0	TRACER WIRE CONNECTOR
J	45-7500	10.0	WIRE, TRACER YELLOW #14
K	45-2172	1.0	6" TAPPING TEE
L	45-0330	N. 3	PIPE CLAMP

	VOLUME 15 - ENGINEERING & CONSTRUCTION STANDARD	GSTI-CAA GSTI-FAA							
	SERVICE TAP INSTALLATIONS 1/2" PE COMPLETE SINGLE SERVICE INSERT REPLACEMENT OFF 6" PE MAIN								
<table border="1" style="width: 100%; border-collapse: collapse;"> <tr> <td style="width: 25%;">Drawn:</td> <td style="width: 25%;">Eng:</td> <td style="width: 25%;">Appr:</td> <td style="width: 25%;">Date:</td> </tr> <tr> <td>CM</td> <td>CLD</td> <td>XX</td> <td>6/2017</td> </tr> </table>	Drawn:	Eng:	Appr:	Date:	CM	CLD	XX	6/2017	Revision: X Page 5 of 53
Drawn:	Eng:	Appr:	Date:						
CM	CLD	XX	6/2017						

NOTES:

- 1) 1/2" PE3408 PIPE LENGTH TO BE DETERMINED BY PLANNER. PIPE TO BE INSERTED THROUGH EXISTING SERVICE LINE.
- 2) BACKFILL MATERIAL TO BE DETERMINED BY SIZE AND NUMBER OF BELL HOLES NEEDED TO ACCOMPLISH INSERT.
- 3) ATTACH TRACER WIRE TO EACH SECTION OF INSERTED STEEL PIPE WITH PIPE CLAMP (NUMBER OF CLAMPS NEEDED TO BE FIELD DETERMINED) STRIP ONE FOOT OF INSULATION FROM WIRE, COIL AND BURY UNDER WITH SEPARATION FROM STEEL MAIN.
- 4) INSERT PROTECTOR AT ALL STEEL PIPE ENDS WHERE 1/2" ENTERS AND EXITS. STOCK ITEM #47-0066 FOR 3/4" OR #47-0067 FOR 1"
- 5) RISER TO BE FIELD BENT TO ACCOMMODATE EXISTING METER SET.
- 6) ALL WIRE SPLICES TO BE MADE USING CURRENT APPROVED TRACER WIRE CONNECTOR.
- 7) TAPE TRACER WIRE TO ABOVE GROUND STEEL PORTION OF OF GAS RISER.
- 8) COAT ALL STEEL PIPE WITH CURRENT APPROVED COATING.



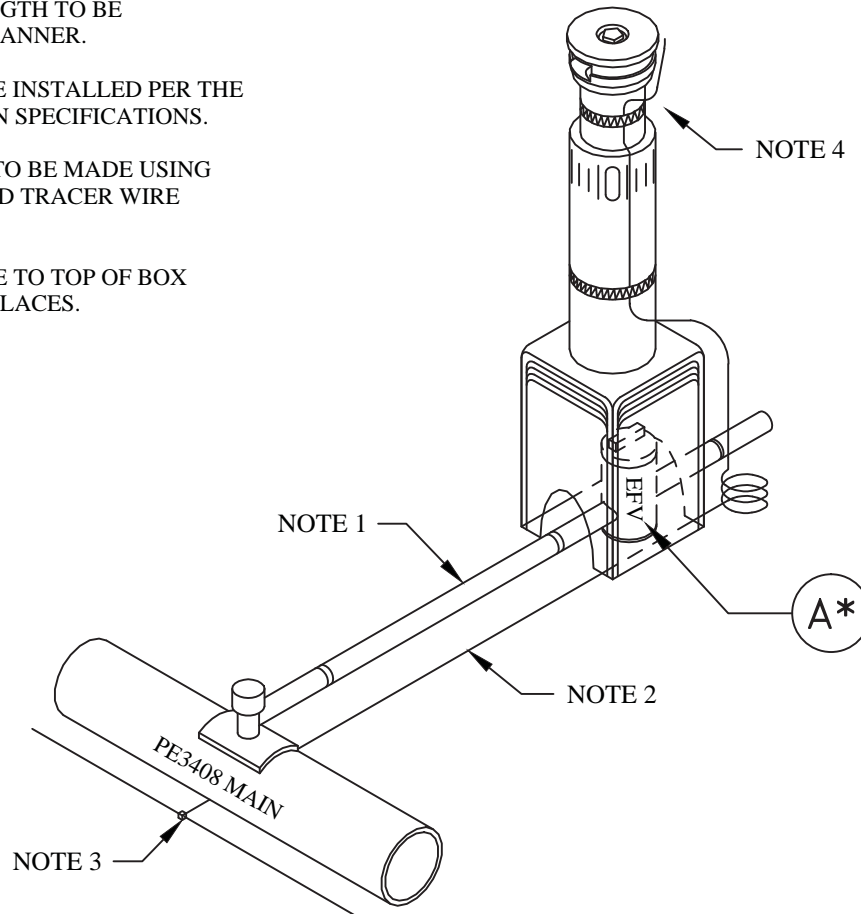
MATERIALS LIST - STI18G			
ITEM	STOCK #	QTY	DESCRIPTION
A	45-2200	1.0	TEE: SERVICE, 3/4" PE3408/4710 OUTLET, STEEL WELD BASE
B	41-5010	1.0	PIPE 3/4" IPS PE3408
C	45-1752	1.0	REDUCER 3/4" X 1/2" (.090) BUTT FUSION PE3408
D	45-1900	1.0	RISER GAS 1/2"
E	43-0110	1.0	COCK GAS METER 3/4" (INSULATED)
F*	43-1991	1.0	EFV VALVE 1/2" PE3408 800 SCFH
F*	43-1990	1.0	VALVE 1/2" PE3408; ONLY USE IF LOAD EXCEEDS 800 SCFH
G	43-0015	1.0	BOX CURB GAS FOR 3/4" AND 1" VALVES
H	45-1710	1.0	PLUG PIPE 3/4" BLACK
I	45-7000	1.0	TRACER WIRE CONNECTOR
J	45-7500	10.0	WIRE, TRACER YELLOW #14
K	45-0330	N. 3	PIPE CLAMP

COATING MATERIALS LIST		
STOCK #	QTY	DESCRIPTION
47-0280	1.0	VALVE PRIMER
47-0276	1.0	VALVE FILLER
47-0272	1.0	2" WIDE WAX WRAP TAPE
47-0278	1.0	PLASTIC OUTER WRAP


	VOLUME 15 - ENGINEERING & CONSTRUCTION STANDARD	GSTI-GAA								
	SERVICE TAP INSTALLATIONS 1/2" PE COMPLETE SINGLE SERVICE OFF STEEL MAIN									
<table border="1" style="width: 100%; border-collapse: collapse;"> <tr> <td style="width: 25%;">Drawn:</td> <td style="width: 25%;">Eng:</td> <td style="width: 25%;">Appr:</td> <td style="width: 25%;">Date:</td> </tr> <tr> <td>CM</td> <td>CLD</td> <td>XX</td> <td>6/2017</td> </tr> </table>	Drawn:	Eng:	Appr:	Date:	CM	CLD	XX	6/2017	Revision: X Page 6 of 53	
Drawn:	Eng:	Appr:	Date:							
CM	CLD	XX	6/2017							

NOTES:

- 1) 3/4" PE3408 PIPE LENGTH TO BE DETERMINED BY PLANNER.
- 2) TRACER WIRE TO BE INSTALLED PER THE GAS CONSTRUCTION SPECIFICATIONS.
- 3) ALL WIRE SPLICES TO BE MADE USING CURRENT APPROVED TRACER WIRE CONNECTOR.
- 4) RAISE TRACER WIRE TO TOP OF BOX AND TAPE IN TWO PLACES.

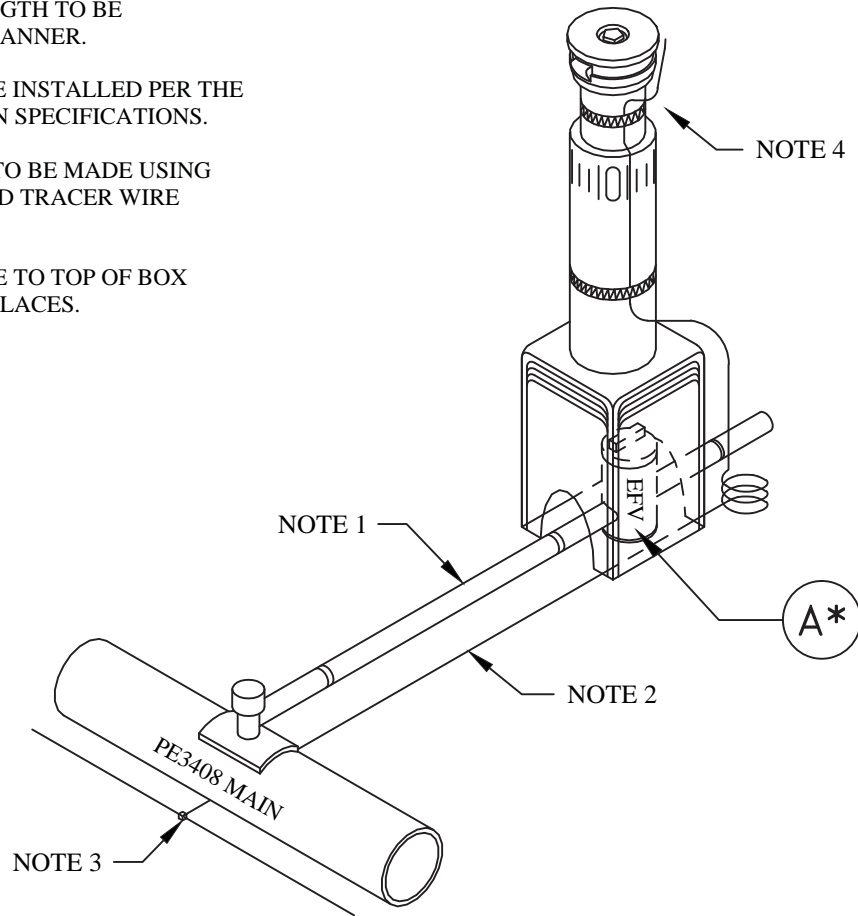


MATERIALS LIST - STI01G			
ITEM	STOCK #	QTY	DESCRIPTION
A*	43-2001	1.0	EFV VALVE 3/4" PE3408 800 SCFH
A*	43-2000	1.0	VALVE 3/4" PE3408; ONLY USE IF LOAD EXCEEDS 800 SCFH
B	43-0015	1.0	BOX CURB GAS FOR 3/4" AND 1" VALVES
C	45-0152	1.0	CAP 3/4" PE3408 BUTT FUSION
D	45-7000	1.0	TRACER WIRE CONNECTOR
E	45-7500	10.0	WIRE, TRACER YELLOW #14
F	45-2164	1.0	2" TAPPING TEE

	VOLUME 15 - ENGINEERING & CONSTRUCTION STANDARD			GSTI-ABA GSTI-DBA
	SERVICE TAP INSTALLATIONS 3/4" PE SERVICE STUB OFF 2" PE MAIN			
Drawn: CM Eng: CLD Appr: XX Date: 6/2017				Revision: X Page 7 of 53

NOTES:

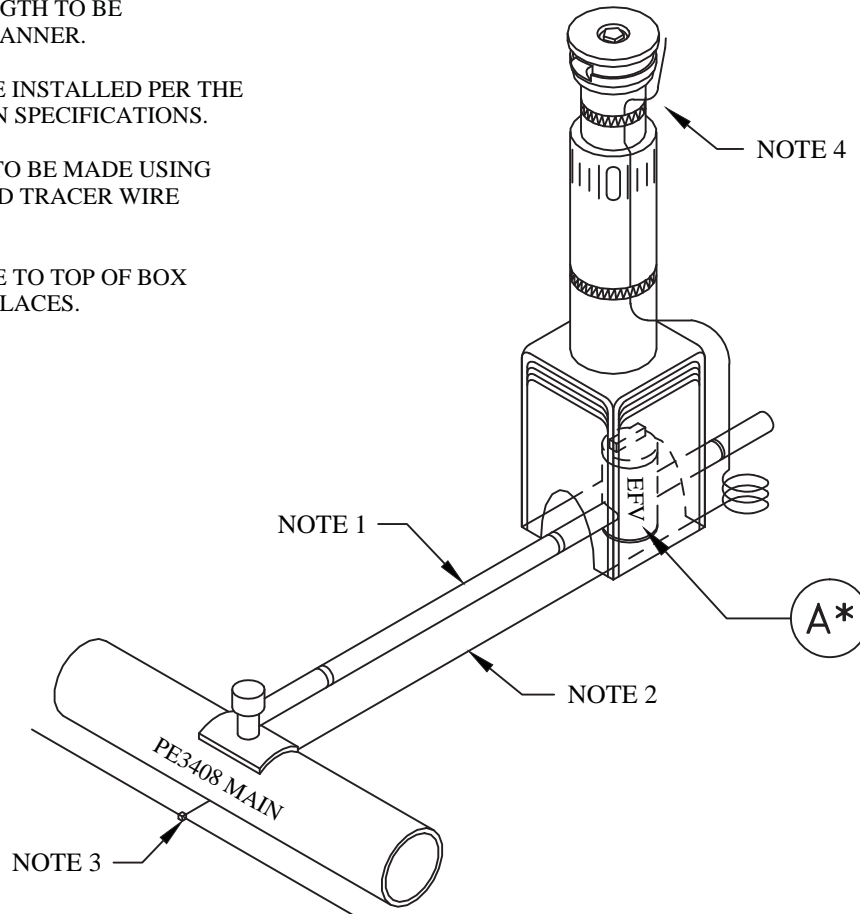
- 1) 3/4" PE3408 PIPE LENGTH TO BE DETERMINED BY PLANNER.
- 2) TRACER WIRE TO BE INSTALLED PER THE GAS CONSTRUCTION SPECIFICATIONS.
- 3) ALL WIRE SPLICES TO BE MADE USING CURRENT APPROVED TRACER WIRE CONNECTOR.
- 4) RAISE TRACER WIRE TO TOP OF BOX AND TAPE IN TWO PLACES.




MATERIALS LIST - STI01G			
ITEM	STOCK #	QTY	DESCRIPTION
A*	43-2001	1.0	EFV VALVE 3/4" PE3408 800 SCFH
A*	43-2000	1.0	VALVE 3/4" PE3408; ONLY USE IF LOAD EXCEEDS 800 SCFH
B	43-0015	1.0	BOX CURB GAS FOR 3/4" AND 1" VALVES
C	45-0152	1.0	CAP 3/4" PE3408 BUTT FUSION
D	45-7000	1.0	TRACER WIRE CONNECTOR
E	45-7500	10.0	WIRE, TRACER YELLOW #14
F	45-2168	1.0	4" TAPPING TEE

NOTES:

- 1) 3/4" PE3408 PIPE LENGTH TO BE DETERMINED BY PLANNER.
- 2) TRACER WIRE TO BE INSTALLED PER THE GAS CONSTRUCTION SPECIFICATIONS.
- 3) ALL WIRE SPLICES TO BE MADE USING CURRENT APPROVED TRACER WIRE CONNECTOR.
- 4) RAISE TRACER WIRE TO TOP OF BOX AND TAPE IN TWO PLACES.

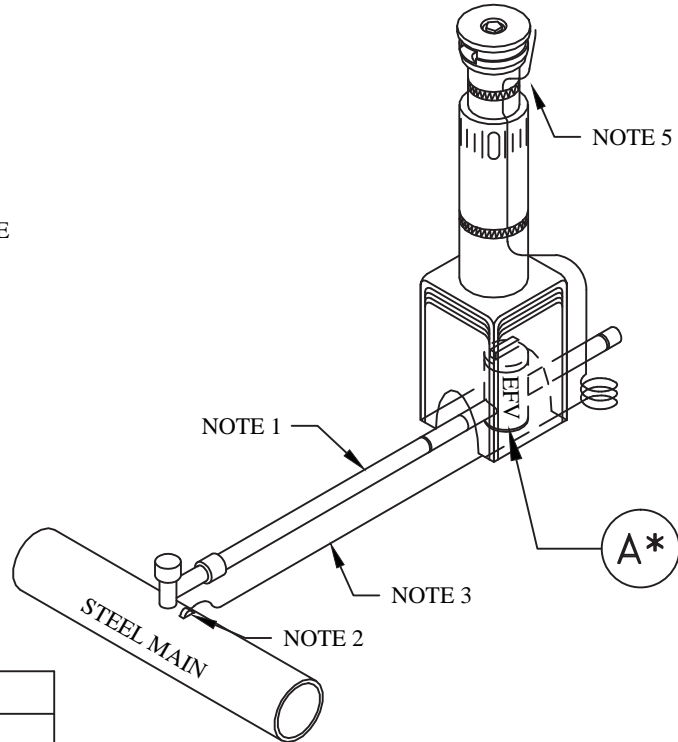


MATERIALS LIST - STI01G			
ITEM	STOCK #	QTY	DESCRIPTION
A*	43-2001	1.0	EFV VALVE 3/4" PE3408 800 SCFH
A*	43-2000	1.0	VALVE 3/4" PE3408; ONLY USE IF LOAD EXCEEDS 800 SCFH
B	43-0015	1.0	BOX CURB GAS FOR 3/4" AND 1" VALVES
C	45-0152	1.0	CAP 3/4" PE3408 BUTT FUSION
D	45-7000	1.0	TRACER WIRE CONNECTOR
E	45-7500	10.0	WIRE, TRACER YELLOW #14
F	45-2172	1.0	6" TAPPING TEE

	VOLUME 15 - ENGINEERING & CONSTRUCTION STANDARD			GSTI-CBA GSTI-FBA
	SERVICE TAP INSTALLATIONS 3/4" PE SERVICE STUB OFF 6" PE MAIN			
Drawn: CM Eng: CLD Appr: XX Date: 6/2017				Revision: X Page 9 of 53

NOTES:

- 1) 3/4" PE3408 PIPE LENGTH TO BE DETERMINED BY PLANNER.
- 2) ALL WIRE CONNECTIONS TO STEEL PIPE TO BE CADWELDED AND COATED WITH CURRENT APPROVED COATING.
- 3) TRACER WIRE TO BE INSTALLED PER THE GAS CONSTRUCTION SPECIFICATIONS.
- 4) COAT ALL STEEL PIPE WITH CURRENT APPROVED COATING.
- 5) RAISE TRACER WIRE TO TOP OF BOX AND TAPE IN TWO PLACES.



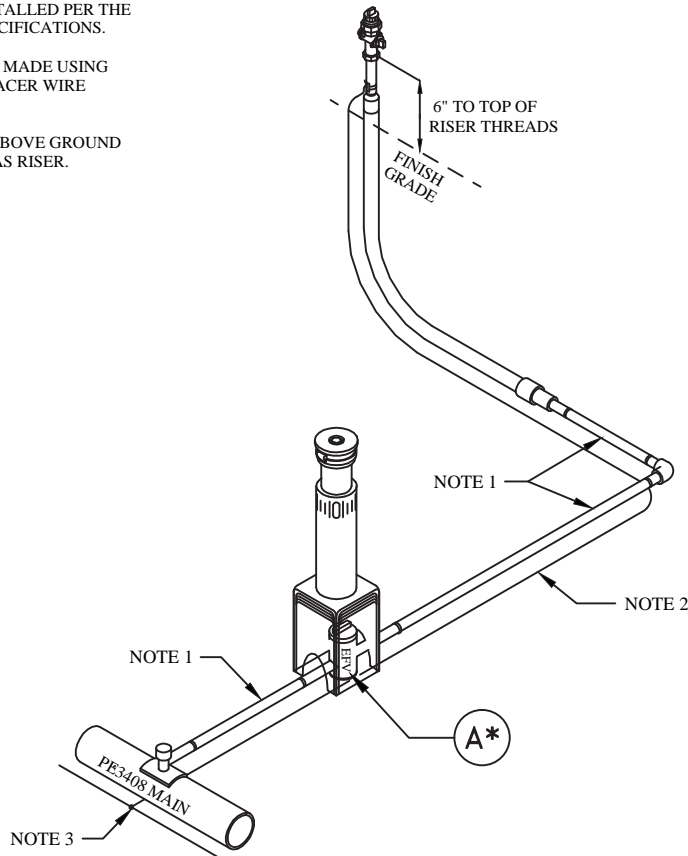
COATING MATERIALS LIST		
STOCK #	QTY	DESCRIPTION
47-0280	1.0	VALVE PRIMER
47-0276	1.0	VALVE FILLER
47-0272	1.0	2" WIDE WAX WRAP TAPE
47-0278	1.0	PLASTIC OUTER WRAP
47-0037	1.0	CADWELD
47-0038	1.0	SLEEVE

MATERIALS LIST - STI15G			
ITEM	STOCK #	QTY	DESCRIPTION
A*	43-2001	1.0	EFV VALVE 3/4" PE3408 800 SCFH
A*	43-2000	1.0	VALVE 3/4" PE3408; ONLY USE IF LOAD EXCEEDS 800 SCFH
B	45-2210	1.0	TEE SERVICE 3/4" PE3408/4710 OUTLET, STEEL WELD BASE
C	43-0015	1.0	BOX CURB GAS FOR 3/4" AND 1" VALVES
D	45-0152	1.0	CAP 3/4" PE3408 BUTT FUSION
E	45-7500	10.0	WIRE, TRACER YELLOW #14

	VOLUME 15 - ENGINEERING & CONSTRUCTION STANDARD	GSTI-GBA
	SERVICE TAP INSTALLATIONS 3/4" PE SERVICE STUB OFF STEEL MAIN	
Drawn: <u>CM</u> Eng: <u>CLD</u> Appr: <u>XX</u> Date: <u>6/2017</u>		Revision: <u>X</u> Page 10 of 53

NOTES:

- 1) 3/4" PE3408 PIPE LENGTH TO BE DETERMINED BY PLANNER.
- 2) TRACER WIRE TO BE INSTALLED PER THE GAS CONSTRUCTION SPECIFICATIONS.
- 3) ALL WIRE SPLICES TO BE MADE USING CURRENT APPROVED TRACER WIRE CONNECTOR.
- 4) TAPE TRACER WIRE TO ABOVE GROUND STEEL PORTION OF OF GAS RISER.

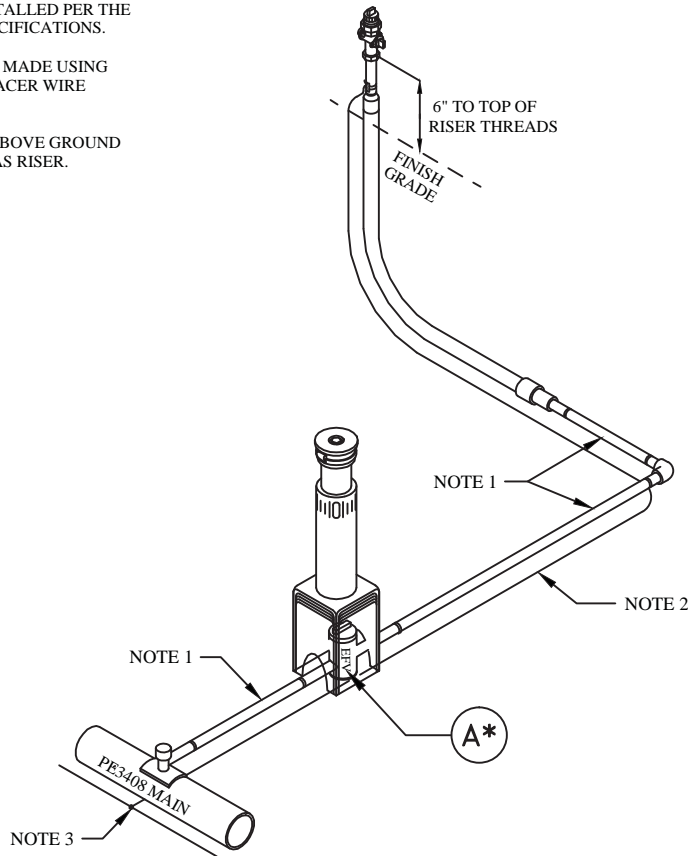


MATERIALS LIST - STI05G			
ITEM	STOCK #	QTY	DESCRIPTION
A*	43-2001	1.0	EFV VALVE 3/4" PE3408 800 SCFH
A*	43-2000	1.0	VALVE 3/4" PE3408; ONLY USE IF LOAD EXCEEDS 800 SCFH
B	41-5010	1.0	PIPE 3/4" IPS PE3408
C	45-0726	1.0	ELBOW PE3408 90 DEGREE 3/4" IPS BUTT FUSION
D	45-1899	1.0	RISER GAS 3/4"
E	43-0110	1.0	COCK GAS METER 3/4" (INSULATED)
F	43-0015	1.0	BOX CURB GAS FOR 3/4" AND 1" VALVES
G	45-1710	1.0	PLUG PIPE 3/4" BLACK
H	45-7000	1.0	TRACER WIRE CONNECTOR
I	45-7500	10.0	WIRE, TRACER YELLOW #14
J	45-2164	1.0	2" TAPPING TEE

	VOLUME 15 - ENGINEERING & CONSTRUCTION STANDARD	GSTI-ABB GSTI-DBB
	SERVICE TAP INSTALLATIONS 3/4" PE COMPLETE SINGLE SERVICE OFF 2" PE MAIN	
Drawn: CM Eng: CLD Appr: XX Date: 6/2017		Revision: X Page 11 of 53

NOTES:

- 1) 3/4" PE3408 PIPE LENGTH TO BE DETERMINED BY PLANNER.
- 2) TRACER WIRE TO BE INSTALLED PER THE GAS CONSTRUCTION SPECIFICATIONS.
- 3) ALL WIRE SPLICES TO BE MADE USING CURRENT APPROVED TRACER WIRE CONNECTOR.
- 4) TAPE TRACER WIRE TO ABOVE GROUND STEEL PORTION OF OF GAS RISER.

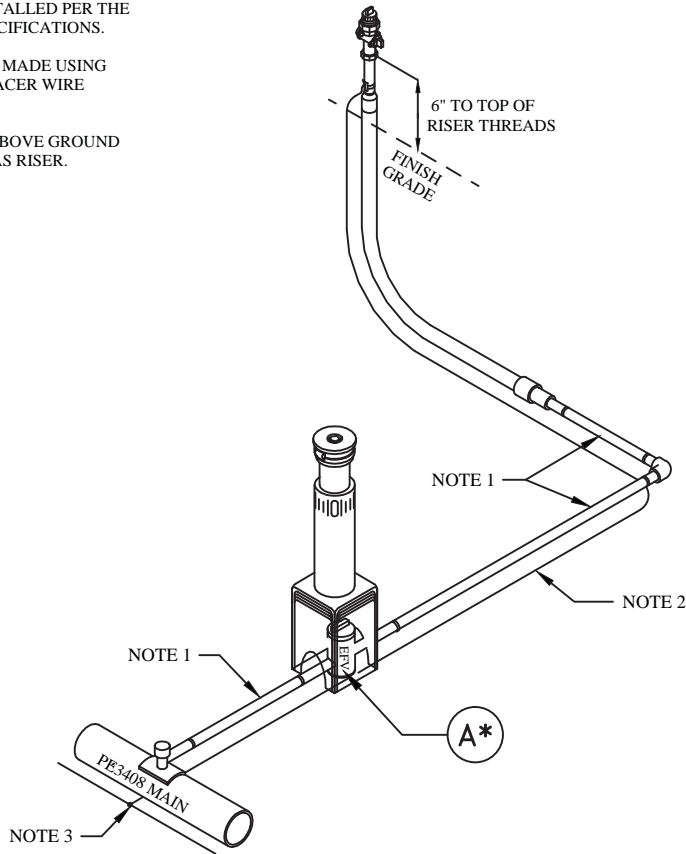


MATERIALS LIST - STI05G			
ITEM	STOCK #	QTY	DESCRIPTION
A*	43-2001	1.0	EFV VALVE 3/4" PE3408 800 SCFH
A*	43-2000	1.0	VALVE 3/4" PE3408; ONLY USE IF LOAD EXCEEDS 800 SCFH
B	41-5010	1.0	PIPE 3/4" IPS PE3408
C	45-0726	1.0	ELBOW PE3408 90 DEGREE 3/4" IPS BUTT FUSION
D	45-1899	1.0	RISER GAS 3/4"
E	43-0110	1.0	COCK GAS METER 3/4" (INSULATED)
F	43-0015	1.0	BOX CURB GAS FOR 3/4" AND 1" VALVES
G	45-1710	1.0	PLUG PIPE 3/4" BLACK
H	45-7000	1.0	TRACER WIRE CONNECTOR
I	45-7500	10.0	WIRE, TRACER YELLOW #14
J	45-2168	1.0	4" TAPPING TEE

	VOLUME 15 - ENGINEERING & CONSTRUCTION STANDARD	GSTI-BBB GSTI-EBB
	SERVICE TAP INSTALLATIONS 3/4" PE COMPLETE SINGLE SERVICE OFF 4" PE MAIN	
Drawn: CM Eng: CLD Appr: XX Date: 6/2017		Revision: X Page 12 of 53

NOTES:

- 1) 3/4" PE3408 PIPE LENGTH TO BE DETERMINED BY PLANNER.
- 2) TRACER WIRE TO BE INSTALLED PER THE GAS CONSTRUCTION SPECIFICATIONS.
- 3) ALL WIRE SPLICES TO BE MADE USING CURRENT APPROVED TRACER WIRE CONNECTOR.
- 4) TAPE TRACER WIRE TO ABOVE GROUND STEEL PORTION OF OF GAS RISER.

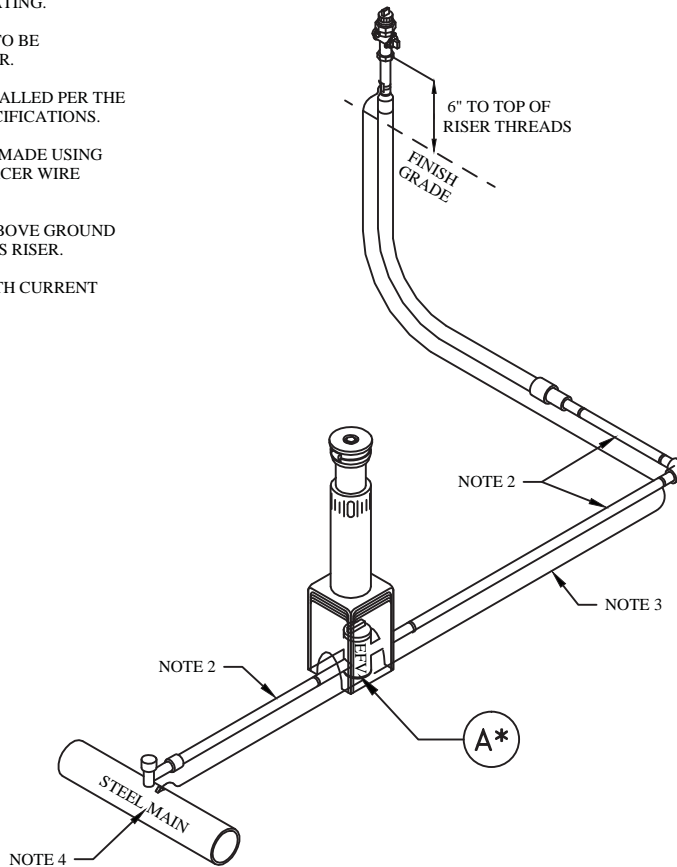


MATERIALS LIST - STI05G			
ITEM	STOCK #	QTY	DESCRIPTION
A*	43-2001	1.0	EFV VALVE 3/4" PE3408 800 SCFH
A*	43-2000	1.0	VALVE 3/4" PE3408; ONLY USE IF LOAD EXCEEDS 800 SCFH
B	41-5010	1.0	PIPE 3/4" IPS PE3408
C	45-0726	1.0	ELBOW PE3408 90 DEGREE 3/4" IPS BUTT FUSION
D	45-1899	1.0	RISER GAS 3/4"
E	43-0110	1.0	COCK GAS METER 3/4" (INSULATED)
F	43-0015	1.0	BOX CURB GAS FOR 3/4" AND 1" VALVES
G	45-1710	1.0	PLUG PIPE 3/4" BLACK
H	45-7000	1.0	TRACER WIRE CONNECTOR
I	45-7500	10.0	WIRE, TRACER YELLOW #14
J	45-2172	1.0	6" TAPPING TEE

	VOLUME 15 - ENGINEERING & CONSTRUCTION STANDARD	GSTI-CBB GSTI-FBB							
	SERVICE TAP INSTALLATIONS 3/4" PE COMPLETE SINGLE SERVICE OFF 6" PE MAIN								
<table border="1" style="width: 100%; border-collapse: collapse;"> <tr> <td style="width: 25%;">Drawn:</td> <td style="width: 25%;">Eng:</td> <td style="width: 25%;">Appr:</td> <td style="width: 25%;">Date:</td> </tr> <tr> <td>CM</td> <td>CLD</td> <td>XX</td> <td>6/2017</td> </tr> </table>	Drawn:	Eng:	Appr:	Date:	CM	CLD	XX	6/2017	Revision: X Page 13 of 53
Drawn:	Eng:	Appr:	Date:						
CM	CLD	XX	6/2017						


NOTES:

- 1) ALL WIRE CONNECTIONS TO STEEL PIPE TO BE CADWELDED AND COATED WITH CURRENT APPROVED COATING.
- 2) 3/4" PE3408 PIPE LENGTH TO BE DETERMINED BY PLANNER.
- 3) TRACER WIRE TO BE INSTALLED PER THE GAS CONSTRUCTION SPECIFICATIONS.
- 4) ALL WIRE SPLICES TO BE MADE USING CURRENT APPROVED TRACER WIRE CONNECTOR.
- 5) TAPE TRACER WIRE TO ABOVE GROUND STEEL PORTION OF OF GAS RISER.
- 6) COAT ALL STEEL PIPE WITH CURRENT APPROVED COATING.



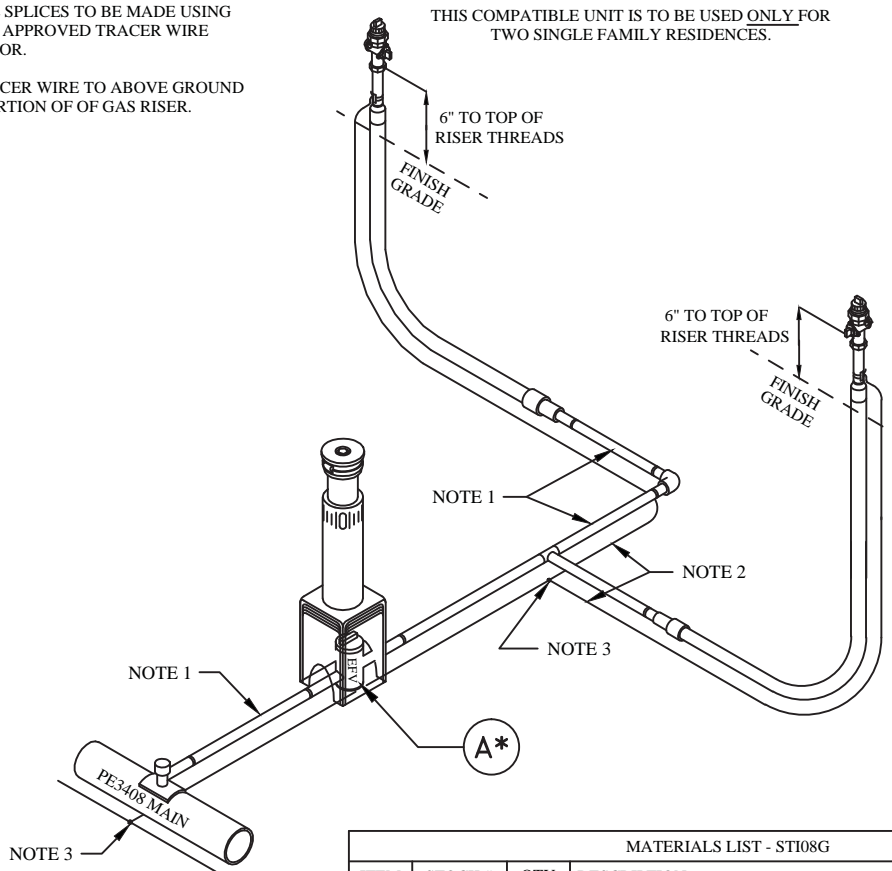
MATERIALS LIST - STI19G			
ITEM	STOCK #	QTY	DESCRIPTION
A*	43-2001	1.0	EFV VALVE 3/4" PE3408 800 SCFH
A*	43-2000	1.0	VALVE 3/4" PE3408; ONLY USE IF LOAD EXCEEDS 800 SCFH
B	45-2210	1.0	TEE SERVICE 3/4" PE3408/4710 OUTLET, STEEL WELD BASE
C	43-0015	1.0	BOX CURB GAS FOR 3/4" AND 1" VALVES
D	45-0726	1.0	ELBOW PE3408 90 DEGREE 3/4" IPS BUTT FUSION
E	45-1899	1.0	RISER GAS 3/4"
F	43-0110	1.0	COCK GAS METER 3/4" (INSULATED)
G	45-1710	1.0	PLUG PIPE 3/4" BLACK
H	45-7000	1.0	TRACER WIRE CONNECTOR
I	45-7500	10.0	WIRE, TRACER YELLOW #14
J	47-0038	1.0	CADWELD CHARGE
K	47-0037	1.0	CADWELD SLEEVE

COATING MATERIALS LIST		
STOCK #	QTY	DESCRIPTION
47-0280	1.0	VALVE PRIMER
47-0276	1.0	VALVE FILLER
47-0272	1.0	2" WIDE WAX WRAP TAPE
47-0278	1.0	PLASTIC OUTER WRAP
47-0600	1.0	CADWELD "HANDY CAP"

	VOLUME 15 - ENGINEERING & CONSTRUCTION STANDARD	GSTI-GBB								
	SERVICE TAP INSTALLATIONS 3/4" PE COMPLETE SERVICE OFF STEEL MAIN									
<table border="1" style="width: 100%; border-collapse: collapse;"> <tr> <td style="width: 25%;">Drawn:</td> <td style="width: 25%;">Eng:</td> <td style="width: 25%;">Appr:</td> <td style="width: 25%;">Date:</td> </tr> <tr> <td>CM</td> <td>CLD</td> <td>XX</td> <td>6/2017</td> </tr> </table>	Drawn:	Eng:	Appr:	Date:	CM	CLD	XX	6/2017	Revision: X Page 14 of 53	
Drawn:	Eng:	Appr:	Date:							
CM	CLD	XX	6/2017							

NOTES:

- 1) 3/4" PE3408 PIPE LENGTH TO BE DETERMINED BY PLANNER.
- 2) TRACER WIRE TO BE INSTALLED PER THE GAS CONSTRUCTION SPECIFICATIONS.
- 3) ALL WIRE SPLICES TO BE MADE USING CURRENT APPROVED TRACER WIRE CONNECTOR.
- 4) TAPE TRACER WIRE TO ABOVE GROUND STEEL PORTION OF OF GAS RISER.



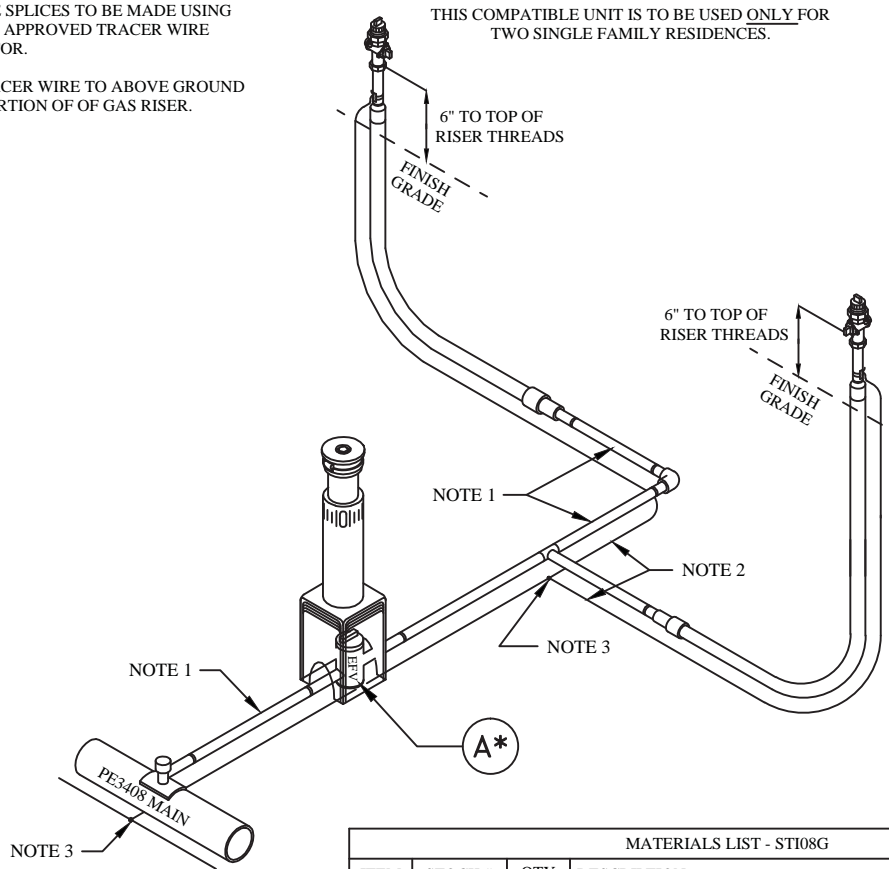
THIS COMPATIBLE UNIT IS TO BE USED ONLY FOR TWO SINGLE FAMILY RESIDENCES.

MATERIALS LIST - STI08G			
ITEM	STOCK #	QTY	DESCRIPTION
A*	43-2001	1.0	EFV VALVE 3/4" PE3408 800 SCFH
A*	43-2000	1.0	VALVE 3/4" PE3408; ONLY USE IF LOAD EXCEEDS 800 SCFH
B	41-5010	1.0	PIPE 3/4" IPS PE3408
C	45-0726	1.0	ELBOW PE3408 90 DEGREE 3/4" IPS BUTT FUSION
D	45-2106	1.0	TEE 3/4" IPS PE3408 BUTT FUSION
E	45-1899	2.0	RISER GAS 3/4"
F	43-0110	2.0	COCK GAS METER 3/4" (INSULATED)
G	43-0015	1.0	BOX CURB GAS FOR 3/4" AND 1" VALVES
H	45-1710	2.0	PLUG PIPE 3/4" BLACK
I	45-7000	2.0	TRACER WIRE CONNECTOR
J	45-7500	10.0	WIRE, TRACER YELLOW #14
K	45-2164	1.0	2" TAPPING TEE

	VOLUME 15 - ENGINEERING & CONSTRUCTION STANDARD	GSTI-ABC GSTI-DBC							
	SERVICE TAP INSTALLATIONS 3/4" PE COMPLETE BRANCH SERVICE OFF 2" PE MAIN								
<table border="1" style="width: 100%; border-collapse: collapse;"> <tr> <td style="width: 25%;">Drawn:</td> <td style="width: 25%;">Eng:</td> <td style="width: 25%;">Appr:</td> <td style="width: 25%;">Date:</td> </tr> <tr> <td>CM</td> <td>CLD</td> <td>XX</td> <td>6/2017</td> </tr> </table>	Drawn:	Eng:	Appr:	Date:	CM	CLD	XX	6/2017	Revision: X Page 15 of 53
Drawn:	Eng:	Appr:	Date:						
CM	CLD	XX	6/2017						

NOTES:

- 1) 3/4" PE3408 PIPE LENGTH TO BE DETERMINED BY PLANNER.
- 2) TRACER WIRE TO BE INSTALLED PER THE GAS CONSTRUCTION SPECIFICATIONS.
- 3) ALL WIRE SPLICES TO BE MADE USING CURRENT APPROVED TRACER WIRE CONNECTOR.
- 4) TAPE TRACER WIRE TO ABOVE GROUND STEEL PORTION OF OF GAS RISER.



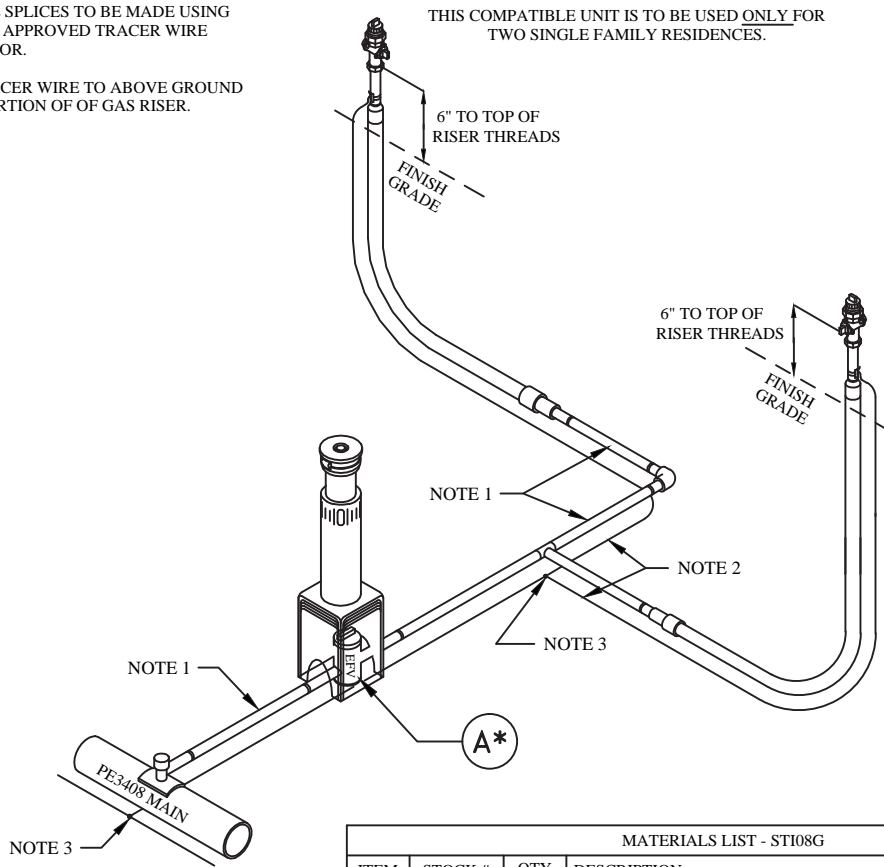
THIS COMPATIBLE UNIT IS TO BE USED ONLY FOR TWO SINGLE FAMILY RESIDENCES.

MATERIALS LIST - STI08G			
ITEM	STOCK #	QTY	DESCRIPTION
A*	43-2001	1.0	EFV VALVE 3/4" PE3408 800 SCFH
A*	43-2000	1.0	VALVE 3/4" PE3408; ONLY USE IF LOAD EXCEEDS 800 SCFH
B	41-5010	1.0	PIPE 3/4" IPS PE3408
C	45-0726	1.0	ELBOW PE3408 90 DEGREE 3/4" IPS BUTT FUSION
D	45-2106	1.0	TEE 3/4" IPS PE3408 BUTT FUSION
E	45-1899	2.0	RISER GAS 3/4"
F	43-0110	2.0	COCK GAS METER 3/4" (INSULATED)
G	43-0015	1.0	BOX CURB GAS FOR 3/4" AND 1" VALVES
H	45-1710	2.0	PLUG PIPE 3/4" BLACK
I	45-7000	2.0	TRACER WIRE CONNECTOR
J	45-7500	10.0	WIRE, TRACER YELLOW #14
K	45-2168	1.0	4" TAPPING TEE

	VOLUME 15 - ENGINEERING & CONSTRUCTION STANDARD	GSTI-BBC GSTI-EBC							
	SERVICE TAP INSTALLATIONS 3/4" PE COMPLETE BRANCH SERVICE OFF 4" PE MAIN								
<table border="1" style="width: 100%; border-collapse: collapse;"> <tr> <td style="width: 25%;">Drawn:</td> <td style="width: 25%;">Eng:</td> <td style="width: 25%;">Appr:</td> <td style="width: 25%;">Date:</td> </tr> <tr> <td>CM</td> <td>CLD</td> <td>XX</td> <td>6/2017</td> </tr> </table>	Drawn:	Eng:	Appr:	Date:	CM	CLD	XX	6/2017	Revision: X Page 16 of 53
Drawn:	Eng:	Appr:	Date:						
CM	CLD	XX	6/2017						

NOTES:

- 1) 3/4" PE3408 PIPE LENGTH TO BE DETERMINED BY PLANNER.
- 2) TRACER WIRE TO BE INSTALLED PER THE GAS CONSTRUCTION SPECIFICATIONS.
- 3) ALL WIRE SPLICES TO BE MADE USING CURRENT APPROVED TRACER WIRE CONNECTOR.
- 4) TAPE TRACER WIRE TO ABOVE GROUND STEEL PORTION OF OF GAS RISER.

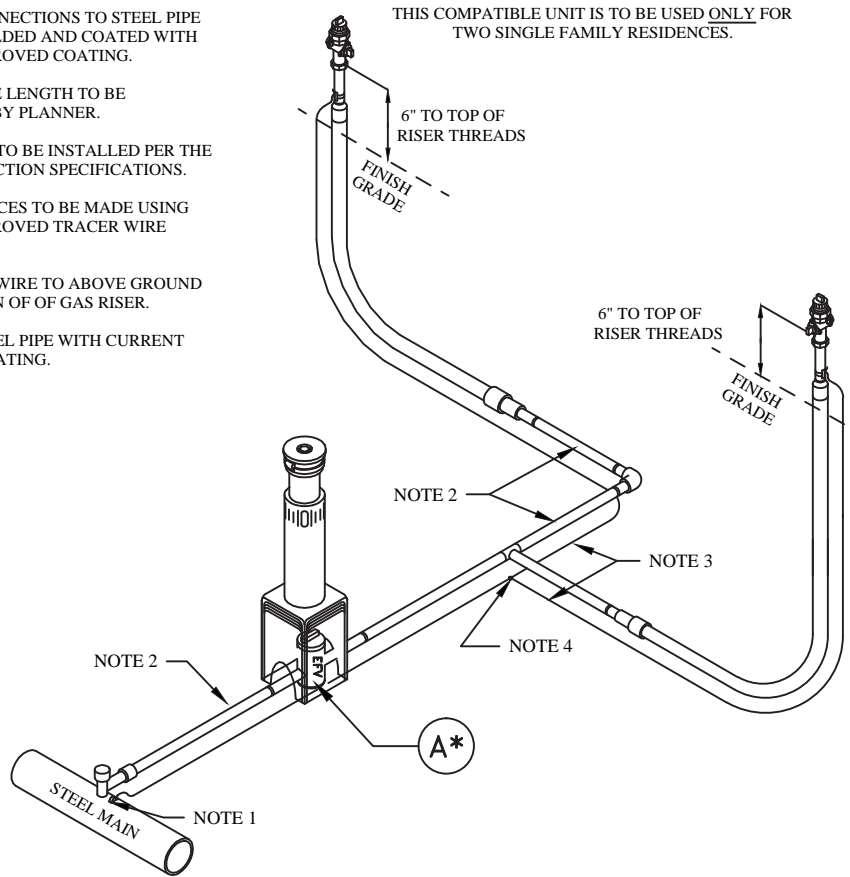


MATERIALS LIST - STI08G			
ITEM	STOCK #	QTY	DESCRIPTION
A*	43-2001	1.0	EFV VALVE 3/4" PE3408 800 SCFH
A*	43-2000	1.0	VALVE 3/4" PE3408; ONLY USE IF LOAD EXCEEDS 800 SCFH
B	41-5010	1.0	PIPE 3/4" IPS PE3408
C	45-0726	1.0	ELBOW PE3408 90 DEGREE 3/4" IPS BUTT FUSION
D	45-2106	1.0	TEE 3/4" IPS PE3408 BUTT FUSION
E	45-1899	2.0	RISER GAS 3/4"
F	43-0110	2.0	COCK GAS METER 3/4" (INSULATED)
G	43-0015	1.0	BOX CURB GAS FOR 3/4" AND 1" VALVES
H	45-1710	2.0	PLUG PIPE 3/4" BLACK
I	45-7000	2.0	TRACER WIRE CONNECTOR
J	45-7500	10.0	WIRE, TRACER YELLOW #14
K	45-2172	1.0	6" TAPPING TEE

	VOLUME 15 - ENGINEERING & CONSTRUCTION STANDARD	GSTI-CBC GSTI-FBC							
	SERVICE TAP INSTALLATIONS 3/4" PE COMPLETE BRANCH SERVICE OFF 6" PE MAIN								
<table border="1" style="width: 100%; border-collapse: collapse;"> <tr> <td style="width: 25%;">Drawn:</td> <td style="width: 25%;">Eng:</td> <td style="width: 25%;">Appr:</td> <td style="width: 25%;">Date:</td> </tr> <tr> <td>CM</td> <td>CLD</td> <td>XX</td> <td>6/2017</td> </tr> </table>	Drawn:	Eng:	Appr:	Date:	CM	CLD	XX	6/2017	Revision: X Page 17 of 53
Drawn:	Eng:	Appr:	Date:						
CM	CLD	XX	6/2017						

NOTES:

- 1) ALL WIRE CONNECTIONS TO STEEL PIPE TO BE CADWELDED AND COATED WITH CURRENT APPROVED COATING.
- 2) 3/4" PE3408 PIPE LENGTH TO BE DETERMINED BY PLANNER.
- 3) TRACER WIRE TO BE INSTALLED PER THE GAS CONSTRUCTION SPECIFICATIONS.
- 4) ALL WIRE SPLICES TO BE MADE USING CURRENT APPROVED TRACER WIRE CONNECTOR.
- 5) TAPE TRACER WIRE TO ABOVE GROUND STEEL PORTION OF OF GAS RISER.
- 6) COAT ALL STEEL PIPE WITH CURRENT APPROVED COATING.



THIS COMPATIBLE UNIT IS TO BE USED ONLY FOR TWO SINGLE FAMILY RESIDENCES.

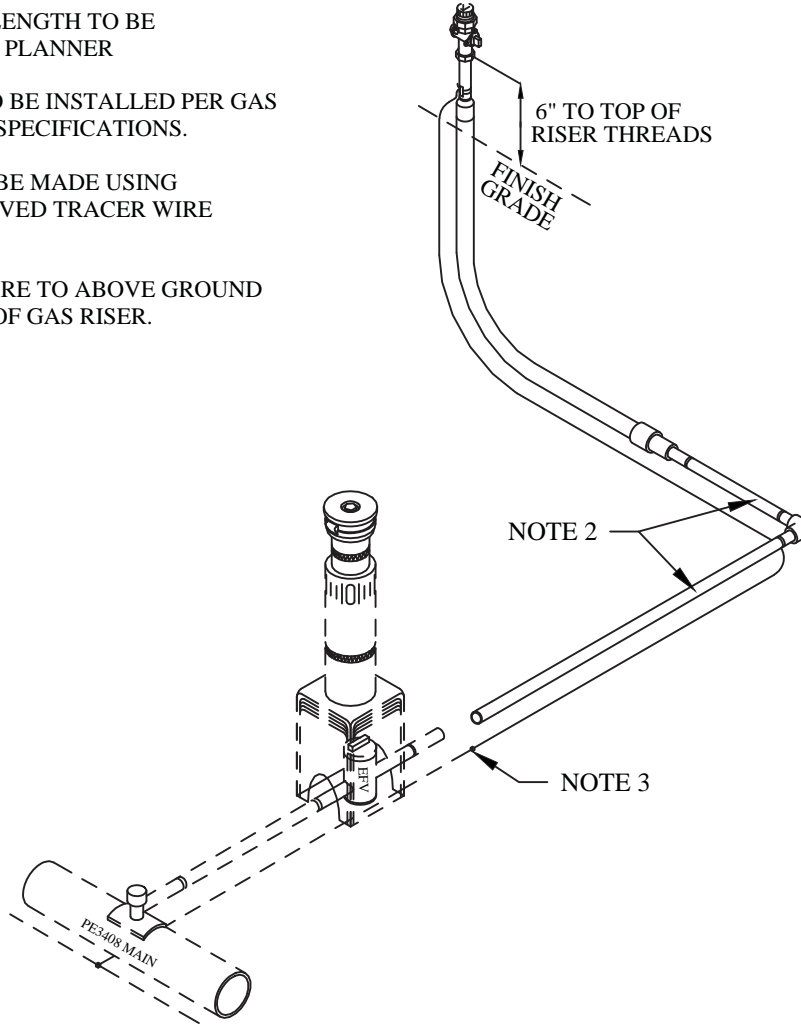
MATERIALS LIST - STI22G			
ITEM	STOCK #	QTY	DESCRIPTION
A*	43-2001	1.0	EFV VALVE 3/4" PE3408 800 SCFH
A*	43-2000	1.0	VALVE 3/4" PE3408; ONLY USE IF LOAD EXCEEDS 800 SCFH
B	45-2210	1.0	TEE SERVICE 3/4" PE3408/4710 OUTLET, STEEL WELD BASE
C	45-0726	1.0	ELBOW PE3408 90 DEGREE 3/4" IPS BUTT FUSION
D	45-2106	1.0	TEE 3/4" IPS PE3408 BUTT FUSION
E	45-1899	2.0	RISER GAS 3/4"
F	43-0110	2.0	COCK GAS METER 3/4" (INSULATED)
G	43-0015	1.0	BOX CURB GAS FOR 3/4" AND 1" VALVES
H	45-1710	2.0	PLUG PIPE 3/4" BLACK
I	45-7000	2.0	TRACER WIRE CONNECTOR
J	45-7500	10.0	WIRE, TRACER YELLOW #14
K	47-0038	1.0	CADWELD CHARGE
L	47-0037	1.0	CADWELD SLEEVE

COATING MATERIALS LIST		
STOCK #	QTY	DESCRIPTION
47-0280	1.0	VALVE PRIMER
47-0276	1.0	VALVE FILLER
47-0272	1.0	2" WIDE WAX WRAP TAPE
47-0278	1.0	PLASTIC OUTER WRAP
47-0600	1.0	CADWELD "HANDY CAP"


	VOLUME 15 - ENGINEERING & CONSTRUCTION STANDARD	GSTI-GBC								
	SERVICE TAP INSTALLATIONS 3/4" PE BRANCH SERVICE OFF STEEL MAIN									
<table border="1" style="width: 100%; border-collapse: collapse;"> <tr> <td style="width: 25%;">Drawn:</td> <td style="width: 25%;">Eng:</td> <td style="width: 25%;">Appr:</td> <td style="width: 25%;">Date:</td> </tr> <tr> <td>CM</td> <td>CLD</td> <td>XX</td> <td>6/2017</td> </tr> </table>	Drawn:	Eng:	Appr:	Date:	CM	CLD	XX	6/2017	Revision: X Page 18 of 53	
Drawn:	Eng:	Appr:	Date:							
CM	CLD	XX	6/2017							

NOTES:

- 1) 3/4" PE3408 PIPE LENGTH TO BE DETERMINED BY PLANNER
- 2) TRACER WIRE TO BE INSTALLED PER GAS CONSTRUCTION SPECIFICATIONS.
- 3) ALL SPLICES TO BE MADE USING CURRENT APPROVED TRACER WIRE CONNECTOR.
- 4) TAPE TRACER WIRE TO ABOVE GROUND STEEL PORTION OF GAS RISER.

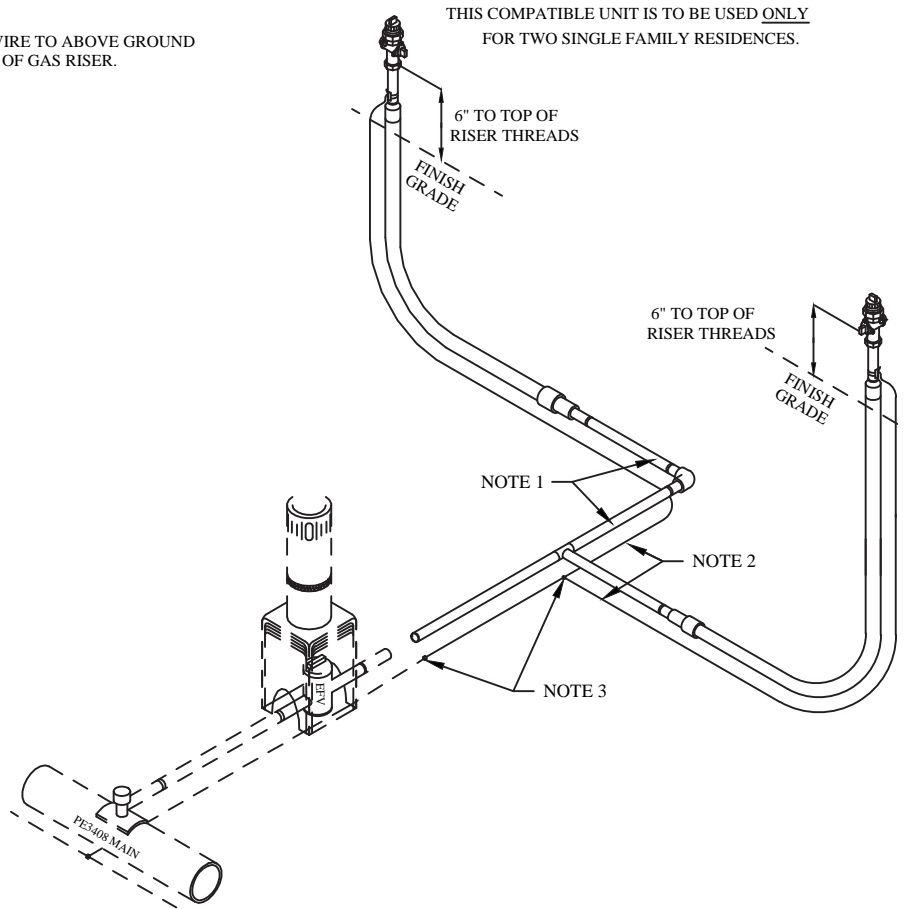


MATERIALS LIST - STI26G			
ITEM	STOCK #	QTY	DESCRIPTION
A	45-0726	1.0	ELBOW PE3408 90 DEGREE 3/4" IPS BUTT FUSION
B	45-1899	1.0	RISER GAS 3/4"
C	43-0110	1.0	COCK GAS METER 3/4" (INSULATED)
D	45-1710	1.0	PLUG PIPE 3/4" BLACK
E	45-7000	1.0	TRACER WIRE CONNECTOR

	VOLUME 15 - ENGINEERING & CONSTRUCTION STANDARD	GSTI-HBD GSTI-HBF
	SERVICE TAP INSTALLATIONS 3/4" PE SINGLE SERVICE COMPLETION OFF STEEL MAIN	
Drawn: CM Eng: CLD Appr: XX Date: 6/2017		Revision: X Page 19 of 53

NOTES:

- 1) 3/4" PE3408 PIPE LENGTH TO BE DETERMINED BY PLANNER
- 2) TRACER WIRE TO BE INSTALLED PER GAS CONSTRUCTION SPECIFICATIONS.
- 3) ALL SPLICES TO BE MADE USING CURRENT APPROVED TRACER WIRE CONNECTOR.
- 4) TAPE TRACER WIRE TO ABOVE GROUND STEEL PORTION OF GAS RISER.

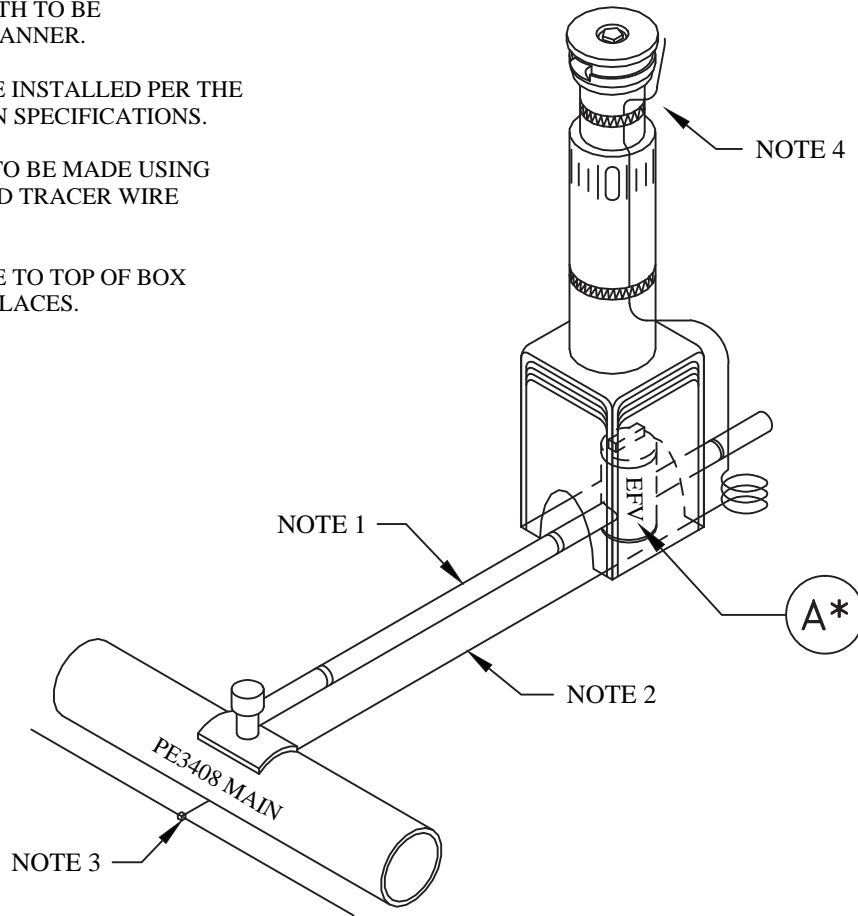


MATERIALS LIST - STI29G			
ITEM	STOCK #	QTY	DESCRIPTION
A	45-2106	1.0	TEE 3/4" IPS BUTT FUSION PE3408
B	45-0726	1.0	ELBOW PE3408 90 DEGREE 3/4" IPS BUTT FUSION
C	45-1899	2.0	RISER GAS 3/4"
D	43-0110	2.0	COCK GAS METER 3/4" (INSULATED)
E	45-1710	2.0	PLUG PIPE 3/4" BLACK
F	45-7000	2.0	TRACER WIRE CONNECTOR


	VOLUME 15 - ENGINEERING & CONSTRUCTION STANDARD	<p style="font-size: 1.2em; font-weight: bold;">GSTI-HBE</p>								
	<p style="font-weight: bold;">SERVICE TAP INSTALLATIONS</p> <p style="font-weight: bold;">3/4" PE BRANCH SERVICE COMPLETION</p>									
<table border="1" style="width: 100%; border-collapse: collapse;"> <tr> <td style="width: 25%;">Drawn:</td> <td style="width: 25%;">Eng:</td> <td style="width: 25%;">Appr:</td> <td style="width: 25%;">Date:</td> </tr> <tr> <td>CM</td> <td>CLD</td> <td>XX</td> <td>6/2017</td> </tr> </table>	Drawn:	Eng:	Appr:	Date:	CM	CLD	XX	6/2017	Revision: X Page 20 of 53	
Drawn:	Eng:	Appr:	Date:							
CM	CLD	XX	6/2017							

NOTES:

- 1) 1" PE3408 PIPE LENGTH TO BE DETERMINED BY PLANNER.
- 2) TRACER WIRE TO BE INSTALLED PER THE GAS CONSTRUCTION SPECIFICATIONS.
- 3) ALL WIRE SPLICES TO BE MADE USING CURRENT APPROVED TRACER WIRE CONNECTOR.
- 4) RAISE TRACER WIRE TO TOP OF BOX AND TAPE IN TWO PLACES.

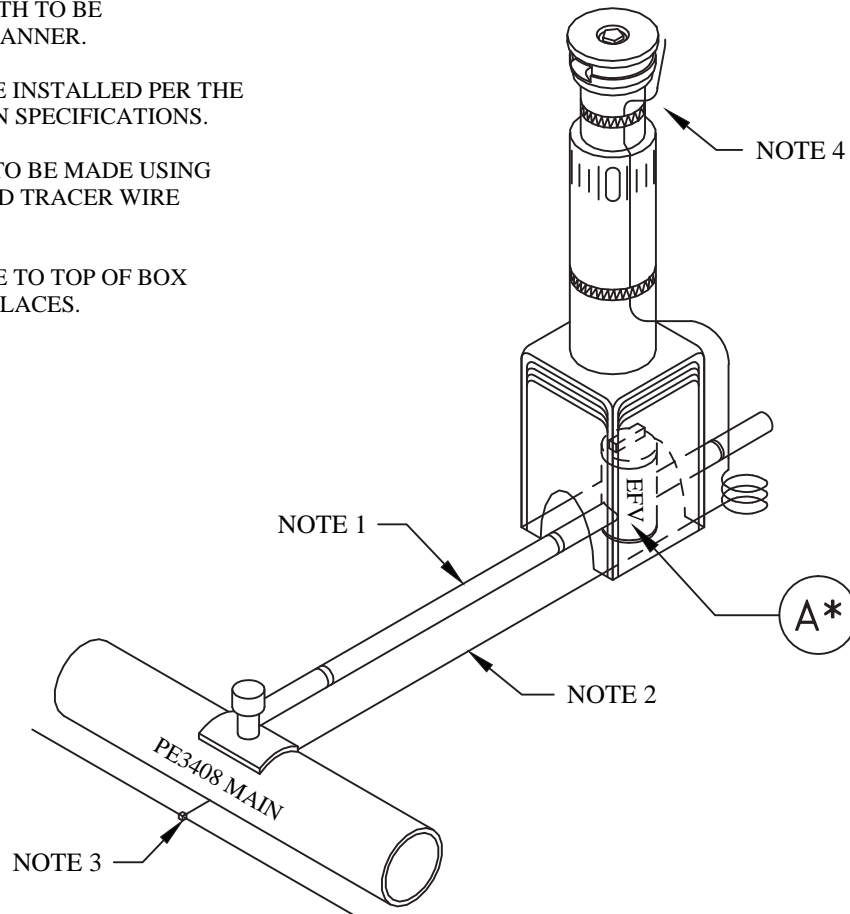


MATERIALS LIST - STI02G			
ITEM	STOCK #	QTY	DESCRIPTION
A*	43-2011	1.0	EFV VALVE 1" PE3408 1800 SCFH
A*	43-2010	1.0	VALVE 1" PE3408; ONLY USE IF LOAD EXCEEDS 1800 SCFH
B	43-0015	1.0	BOX CURB GAS FOR 3/4" AND 1" VALVES
C	45-0153	1.0	CAP 1" PE3408 BUTT FUSION
D	45-7000	1.0	TRACER WIRE CONNECTOR
E	45-7500	10.0	WIRE, TRACER YELLOW #14
F	45-2164	1.0	2" TAPPING TEE

	VOLUME 15 - ENGINEERING & CONSTRUCTION STANDARD		GSTI-ACA GSTI-DCA	
	SERVICE TAP INSTALLATIONS 1" PE SERVICE STUB OFF 2" PE MAIN			
Drawn: CM Eng: CLD Appr: XX Date: 6/2017			Revision: X Page 21 of 53	

NOTES:

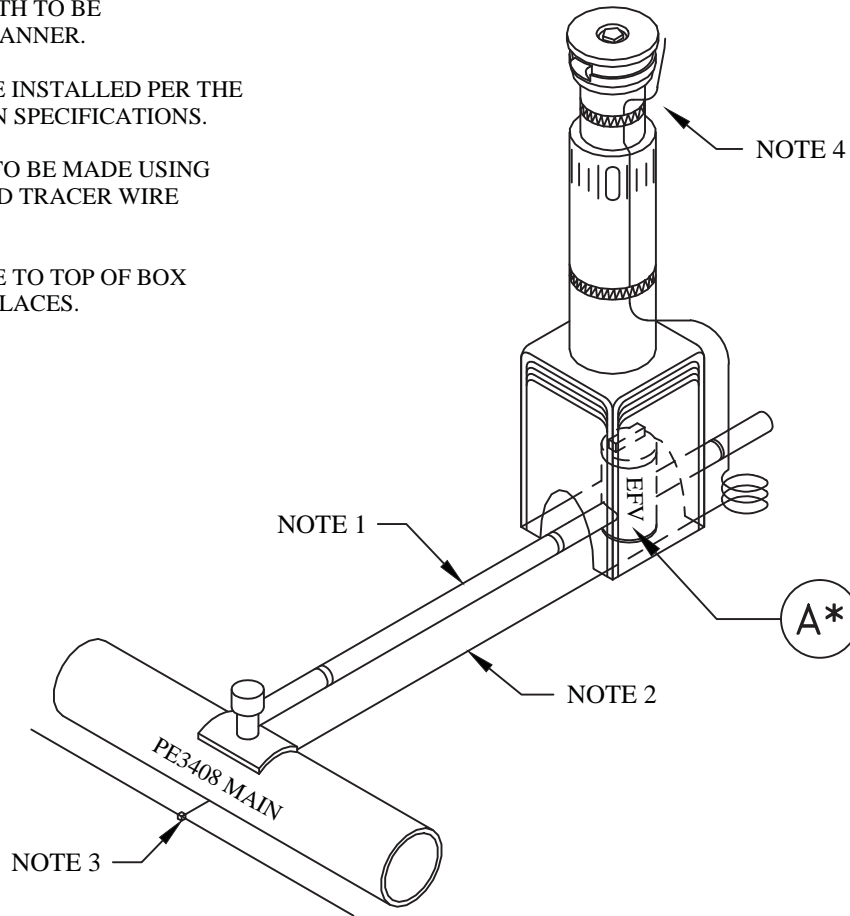
- 1) 1" PE3408 PIPE LENGTH TO BE DETERMINED BY PLANNER.
- 2) TRACER WIRE TO BE INSTALLED PER THE GAS CONSTRUCTION SPECIFICATIONS.
- 3) ALL WIRE SPLICES TO BE MADE USING CURRENT APPROVED TRACER WIRE CONNECTOR.
- 4) RAISE TRACER WIRE TO TOP OF BOX AND TAPE IN TWO PLACES.




MATERIALS LIST - STI02G			
ITEM	STOCK #	QTY	DESCRIPTION
A*	43-2011	1.0	EFV VALVE 1" PE3408 1800 SCFH
A*	43-2010	1.0	VALVE 1" PE3408; ONLY USE IF LOAD EXCEEDS 1800 SCFH
B	43-0015	1.0	BOX CURB GAS FOR 3/4" AND 1" VALVES
C	45-0153	1.0	CAP 1" PE3408 BUTT FUSION
D	45-7000	1.0	TRACER WIRE CONNECTOR
E	45-7500	10.0	WIRE, TRACER YELLOW #14
F	45-2168	1.0	4" TAPPING TEE

NOTES:

- 1) 1" PE3408 PIPE LENGTH TO BE DETERMINED BY PLANNER.
- 2) TRACER WIRE TO BE INSTALLED PER THE GAS CONSTRUCTION SPECIFICATIONS.
- 3) ALL WIRE SPLICES TO BE MADE USING CURRENT APPROVED TRACER WIRE CONNECTOR.
- 4) RAISE TRACER WIRE TO TOP OF BOX AND TAPE IN TWO PLACES.

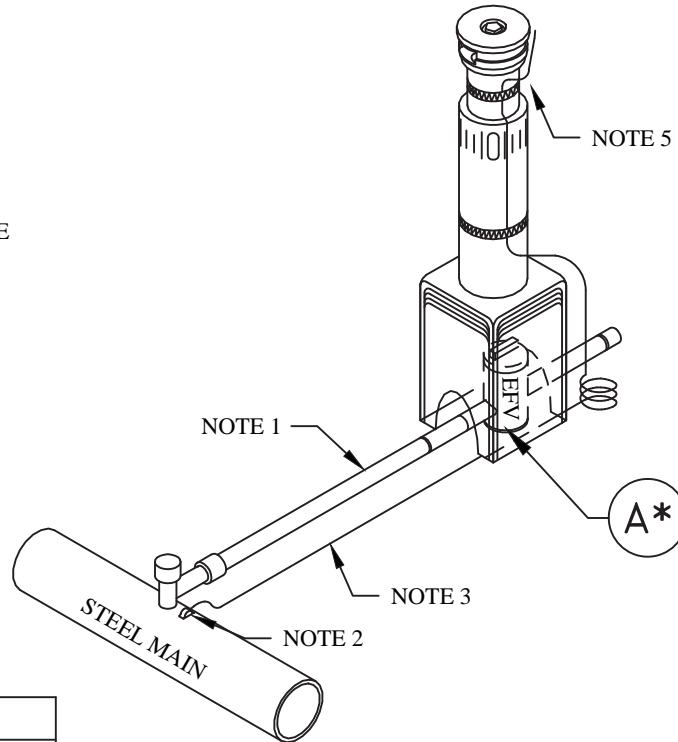


MATERIALS LIST - STI02G			
ITEM	STOCK #	QTY	DESCRIPTION
A*	43-2011	1.0	EFV VALVE 1" PE3408 1800 SCFH
A*	43-2010	1.0	VALVE 1" PE3408; ONLY USE IF LOAD EXCEEDS 1800 SCFH
B	43-0015	1.0	BOX CURB GAS FOR 3/4" AND 1" VALVES
C	45-0153	1.0	CAP 1" PE3408 BUTT FUSION
D	45-7000	1.0	TRACER WIRE CONNECTOR
E	45-7500	10.0	WIRE, TRACER YELLOW #14
F	45-2172	1.0	6" TAPPING TEE

	VOLUME 15 - ENGINEERING & CONSTRUCTION STANDARD		GSTI-CCA GSTI-FCA		
	SERVICE TAP INSTALLATIONS 1" PE SERVICE STUB OFF 6" PE MAIN		Revision: X Page 23 of 53		
Drawn: CM Eng: CLD Appr: XX Date: 6/2017					

NOTES:

- 1) 1" PE3408 PIPE LENGTH TO BE DETERMINED BY PLANNER.
- 2) ALL WIRE CONNECTIONS TO STEEL PIPE TO BE CADWELDED AND COATED WITH CURRENT APPROVED COATING.
- 3) TRACER WIRE TO BE INSTALLED PER THE GAS CONSTRUCTION SPECIFICATIONS.
- 4) COAT ALL STEEL PIPE WITH CURRENT APPROVED COATING.
- 5) RAISE TRACER WIRE TO TOP OF BOX AND TAPE IN TWO PLACES.



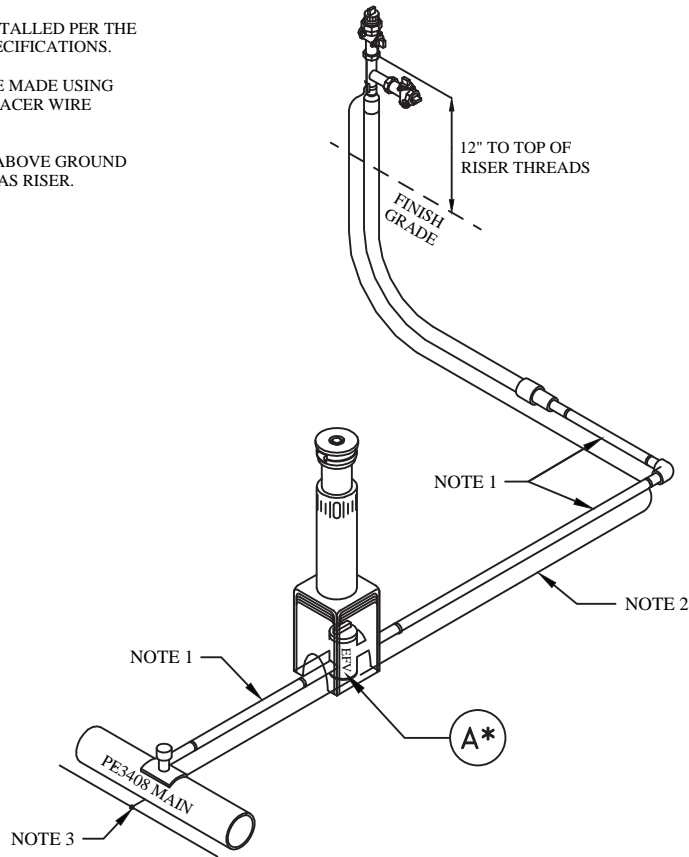
COATING MATERIALS LIST		
STOCK #	QTY	DESCRIPTION
47-0280	1.0	VALVE PRIMER
47-0276	1.0	VALVE FILLER
47-0272	1.0	2" WIDE WAX WRAP TAPE
47-0278	1.0	PLASTIC OUTER WRAP

MATERIALS LIST - STI16G			
ITEM	STOCK #	QTY	DESCRIPTION
A*	43-2011	1.0	EFV VALVE 1" PE3408 1800 SCFH
A*	43-2010	1.0	VALVE 1" PE3408; ONLY USE IF LOAD EXCEEDS 1800 SCFH
B	45-2212	1.0	TEE SERVICE 1" PE3408/4710 OUTLET, STEEL WELD BASE
C	43-0015	1.0	BOX CURB GAS FOR 3/4" AND 1" VALVES
D	45-0153	1.0	CAP 1" PE3408 BUTT FUSION
E	45-7000	1.0	TRACER WIRE CONNECTOR
F	45-7500	10.0	WIRE, TRACER YELLOW #14

	VOLUME 15 - ENGINEERING & CONSTRUCTION STANDARD	GSTI-GCA								
	SERVICE TAP INSTALLATIONS 1" PE SERVICE STUB OFF STEEL MAIN									
<table border="1" style="width: 100%; border-collapse: collapse;"> <tr> <td style="width: 25%;">Drawn:</td> <td style="width: 25%;">Eng:</td> <td style="width: 25%;">Appr:</td> <td style="width: 25%;">Date:</td> </tr> <tr> <td>CM</td> <td>CLD</td> <td>XX</td> <td>6/2017</td> </tr> </table>	Drawn:	Eng:	Appr:	Date:	CM	CLD	XX	6/2017	Revision: X Page 24 of 53	
Drawn:	Eng:	Appr:	Date:							
CM	CLD	XX	6/2017							

NOTES:

- 1) 1" PE3408 PIPE LENGTH TO BE DETERMINED BY PLANNER.
- 2) TRACER WIRE TO BE INSTALLED PER THE GAS CONSTRUCTION SPECIFICATIONS.
- 3) ALL WIRE SPLICES TO BE MADE USING CURRENT APPROVED TRACER WIRE CONNECTOR.
- 4) TAPE TRACER WIRE TO ABOVE GROUND STEEL PORTION OF OF GAS RISER.

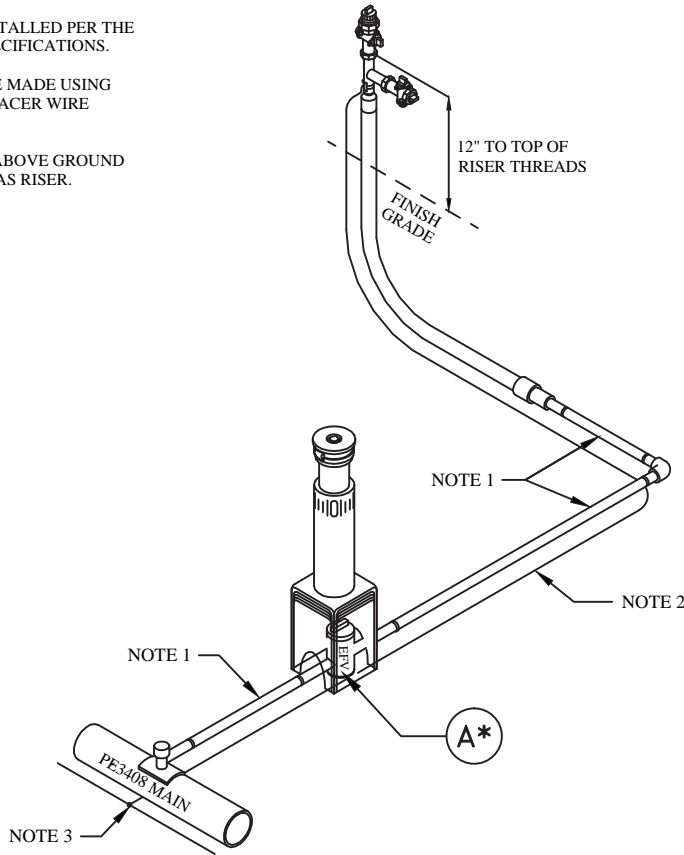


MATERIALS LIST - STI06G			
ITEM	STOCK #	QTY	DESCRIPTION
A*	43-2011	1.0	EFV VALVE 1" PE3408 1800 SCFH
A*	43-2010	1.0	VALVE 1" PE3408; ONLY USE IF LOAD EXCEEDS 1800 SCFH
B	41-5010	1.0	PIPE 3/4" IPS PE3408
C	45-0732	1.0	ELBOW PE3408 90 DEGREE 1" IPS BUTT FUSION
D	45-1904	1.0	RISER GAS 1"
E	43-0115	1.0	COCK GAS METER 1" (INSULATED)
F	43-0040	1.0	COCK GAS METER 3/4"
G	43-0015	1.0	BOX CURB GAS FOR 3/4" AND 1" VALVES
H	45-1720	1.0	PLUG PIPE 1" BLACK
I	45-1710	1.0	PLUG PIPE 3/4" BLACK
J	45-7000	1.0	TRACER WIRE CONNECTOR
K	45-7500	10.0	WIRE, TRACER YELLOW #14
L	45-2164	1.0	2" TAPPING TEE

	VOLUME 15 - ENGINEERING & CONSTRUCTION STANDARD	GSTI-ACB GSTI-DCB
	SERVICE TAP INSTALLATIONS 1" PE COMPLETE SINGLE SERVICE OFF 2" PE MAIN	
Drawn: CM Eng: CLD Appr: XX Date: 6/2017		Revision: X Page 25 of 53

NOTES:

- 1) 1" PE3408 PIPE LENGTH TO BE DETERMINED BY PLANNER.
- 2) TRACER WIRE TO BE INSTALLED PER THE GAS CONSTRUCTION SPECIFICATIONS.
- 3) ALL WIRE SPLICES TO BE MADE USING CURRENT APPROVED TRACER WIRE CONNECTOR.
- 4) TAPE TRACER WIRE TO ABOVE GROUND STEEL PORTION OF OF GAS RISER.

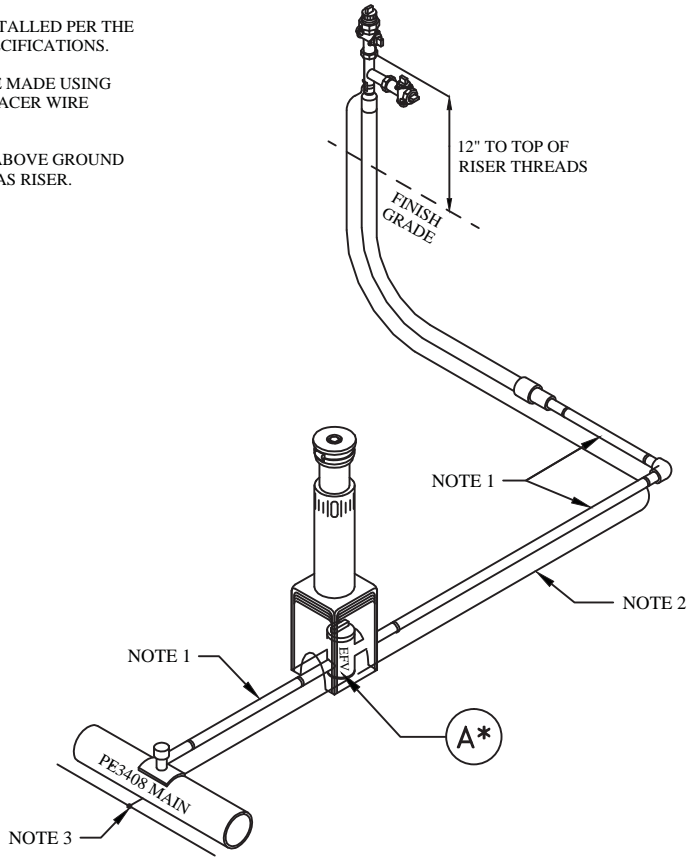


MATERIALS LIST - STI06G			
ITEM	STOCK #	QTY	DESCRIPTION
A*	43-2011	1.0	EFV VALVE 1" PE3408 1800 SCFH
A*	43-2010	1.0	VALVE 1" PE3408; ONLY USE IF LOAD EXCEEDS 1800 SCFH
B	41-5010	1.0	PIPE 3/4" IPS PE3408
C	45-0732	1.0	ELBOW PE3408 90 DEGREE 1" IPS BUTT FUSION
D	45-1904	1.0	RISER GAS 1"
E	43-0115	1.0	COCK GAS METER 1" (INSULATED)
F	43-0040	1.0	COCK GAS METER 3/4"
G	43-0015	1.0	BOX CURB GAS FOR 3/4" AND 1" VALVES
H	45-1720	1.0	PLUG PIPE 1" BLACK
I	45-1710	1.0	PLUG PIPE 3/4" BLACK
J	45-7000	1.0	TRACER WIRE CONNECTOR
K	45-7500	10.0	WIRE, TRACER YELLOW #14
L	45-2168	1.0	4" TAPPING TEE

	VOLUME 15 - ENGINEERING & CONSTRUCTION STANDARD	GSTI-BCB GSTI-ECB							
	SERVICE TAP INSTALLATIONS 1" PE COMPLETE SINGLE SERVICE OFF 4" PE MAIN								
<table border="1" style="width: 100%; border-collapse: collapse;"> <tr> <td style="width: 25%;">Drawn:</td> <td style="width: 25%;">Eng:</td> <td style="width: 25%;">Appr:</td> <td style="width: 25%;">Date:</td> </tr> <tr> <td>CM</td> <td>CLD</td> <td>XX</td> <td>6/2017</td> </tr> </table>	Drawn:	Eng:	Appr:	Date:	CM	CLD	XX	6/2017	Revision: X Page 26 of 53
Drawn:	Eng:	Appr:	Date:						
CM	CLD	XX	6/2017						

NOTES:

- 1) 1" PE3408 PIPE LENGTH TO BE DETERMINED BY PLANNER.
- 2) TRACER WIRE TO BE INSTALLED PER THE GAS CONSTRUCTION SPECIFICATIONS.
- 3) ALL WIRE SPLICES TO BE MADE USING CURRENT APPROVED TRACER WIRE CONNECTOR.
- 4) TAPE TRACER WIRE TO ABOVE GROUND STEEL PORTION OF OF GAS RISER.

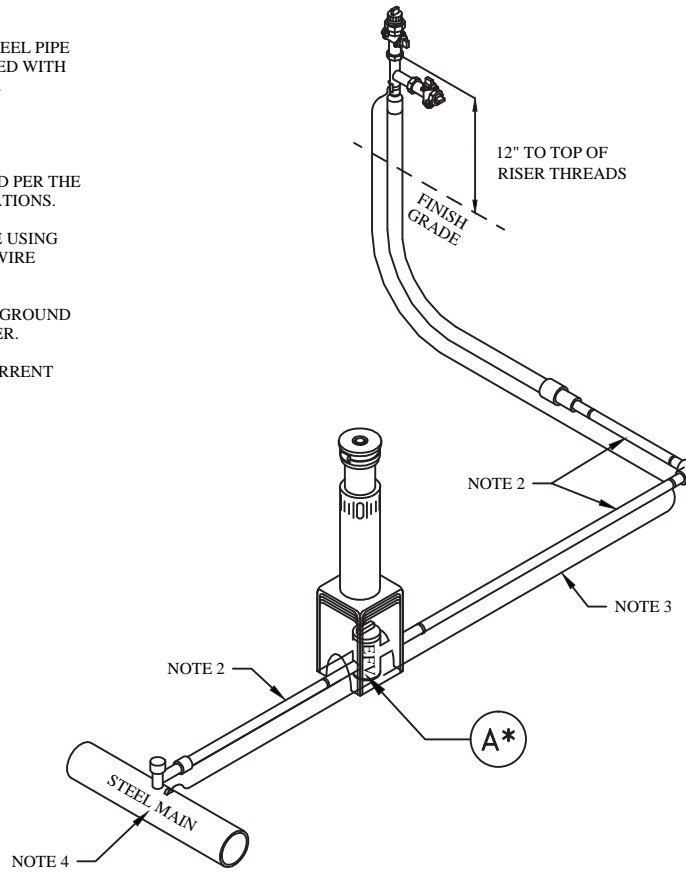


MATERIALS LIST - STI06G			
ITEM	STOCK #	QTY	DESCRIPTION
A*	43-2011	1.0	EFV VALVE 1" PE3408 1800 SCFH
A*	43-2010	1.0	VALVE 1" PE3408; ONLY USE IF LOAD EXCEEDS 1800 SCFH
B	41-5010	1.0	PIPE 3/4" IPS PE3408
C	45-0732	1.0	ELBOW PE3408 90 DEGREE 1" IPS BUTT FUSION
D	45-1904	1.0	RISER GAS 1"
E	43-0115	1.0	COCK GAS METER 1" (INSULATED)
F	43-0040	1.0	COCK GAS METER 3/4"
G	43-0015	1.0	BOX CURB GAS FOR 3/4" AND 1" VALVES
H	45-1720	1.0	PLUG PIPE 1" BLACK
I	45-1710	1.0	PLUG PIPE 3/4" BLACK
J	45-7000	1.0	TRACER WIRE CONNECTOR
K	45-7500	10.0	WIRE, TRACER YELLOW #14
L	45-2172	1.0	6" TAPPING TEE

	VOLUME 15 - ENGINEERING & CONSTRUCTION STANDARD	GSTI-CCB GSTI-FCB
	SERVICE TAP INSTALLATIONS 1" PE COMPLETE SINGLE SERVICE OFF 6" PE MAIN	
Drawn: CM Eng: CLD Appr: XX Date: 6/2017		Revision: X Page 27 of 53

NOTES:

- 1) ALL WIRE CONNECTIONS TO STEEL PIPE TO BE CADWELDED AND COATED WITH CURRENT APPROVED COATING.
- 2) 1" PE3408 PIPE LENGTH TO BE DETERMINED BY PLANNER.
- 3) TRACER WIRE TO BE INSTALLED PER THE GAS CONSTRUCTION SPECIFICATIONS.
- 4) ALL WIRE SPLICES TO BE MADE USING CURRENT APPROVED TRACER WIRE CONNECTOR.
- 5) TAPE TRACER WIRE TO ABOVE GROUND STEEL PORTION OF OF GAS RISER.
- 6) COAT ALL STEEL PIPE WITH CURRENT APPROVED COATING.



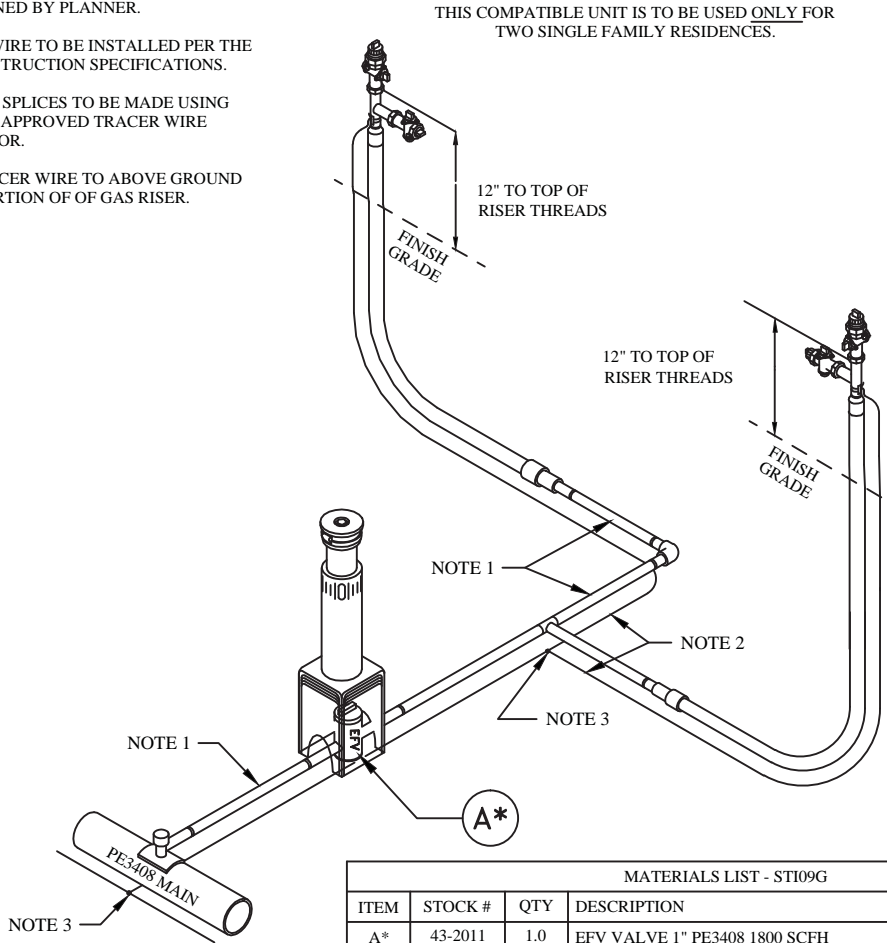
MATERIALS LIST - STI20G			
ITEM	STOCK #	QTY	DESCRIPTION
A*	43-2011	1.0	EFV VALVE 1" PE3408 1800 SCFH
A*	43-2010	1.0	VALVE 1" PE3408; ONLY USE IF LOAD EXCEEDS 1800 SCFH
B	45-2212	1.0	TEE SERVICE 1" PE3408/4710 OUTLET, STEEL WELD BASE
C	43-0015	1.0	BOX CURB GAS FOR 3/4" AND 1" VALVES
D	45-0732	1.0	ELBOW PE3408 90 DEGREE 1" IPS BUTT FUSION
E	45-1904	1.0	RISER GAS 1"
F	43-0115	1.0	COCK GAS METER 1" (INSULATED)
G	43-0040	1.0	COCK GAS METER 3/4"
H	45-1720	1.0	PLUG PIPE 1" BLACK
I	45-1710	1.0	PLUG PIPE 3/4" BLACK
J	45-7000	1.0	TRACER WIRE CONNECTOR
K	45-7500	10.0	WIRE, TRACER YELLOW #14
L	47-0038	1.0	CADWELD CHARGE
M	47-0037	1.0	CADWELD SLEEVE

COATING MATERIALS LIST		
STOCK #	QTY	DESCRIPTION
47-0280	1.0	VALVE PRIMER
47-0276	1.0	VALVE FILLER
47-0272	1.0	2" WIDE WAX WRAP TAPE
47-0278	1.0	PLASTIC OUTER WRAP
47-0600	1.0	CADWELD "HANDY CAP"

	VOLUME 15 - ENGINEERING & CONSTRUCTION STANDARD	GSTI-GCB								
	SERVICE TAP INSTALLATIONS 1" PE COMPLETE SERVICE OFF STEEL MAIN									
<table border="1" style="width: 100%; border-collapse: collapse;"> <tr> <td style="width: 25%;">Drawn:</td> <td style="width: 25%;">Eng:</td> <td style="width: 25%;">Appr:</td> <td style="width: 25%;">Date:</td> </tr> <tr> <td>CM</td> <td>CLD</td> <td>XX</td> <td>6/2017</td> </tr> </table>	Drawn:	Eng:	Appr:	Date:	CM	CLD	XX	6/2017	Revision: X Page 28 of 53	
Drawn:	Eng:	Appr:	Date:							
CM	CLD	XX	6/2017							

NOTES:

- 1) 1" PE3408 PIPE LENGTH TO BE DETERMINED BY PLANNER.
- 2) TRACER WIRE TO BE INSTALLED PER THE GAS CONSTRUCTION SPECIFICATIONS.
- 3) ALL WIRE SPLICES TO BE MADE USING CURRENT APPROVED TRACER WIRE CONNECTOR.
- 4) TAPE TRACER WIRE TO ABOVE GROUND STEEL PORTION OF OF GAS RISER.

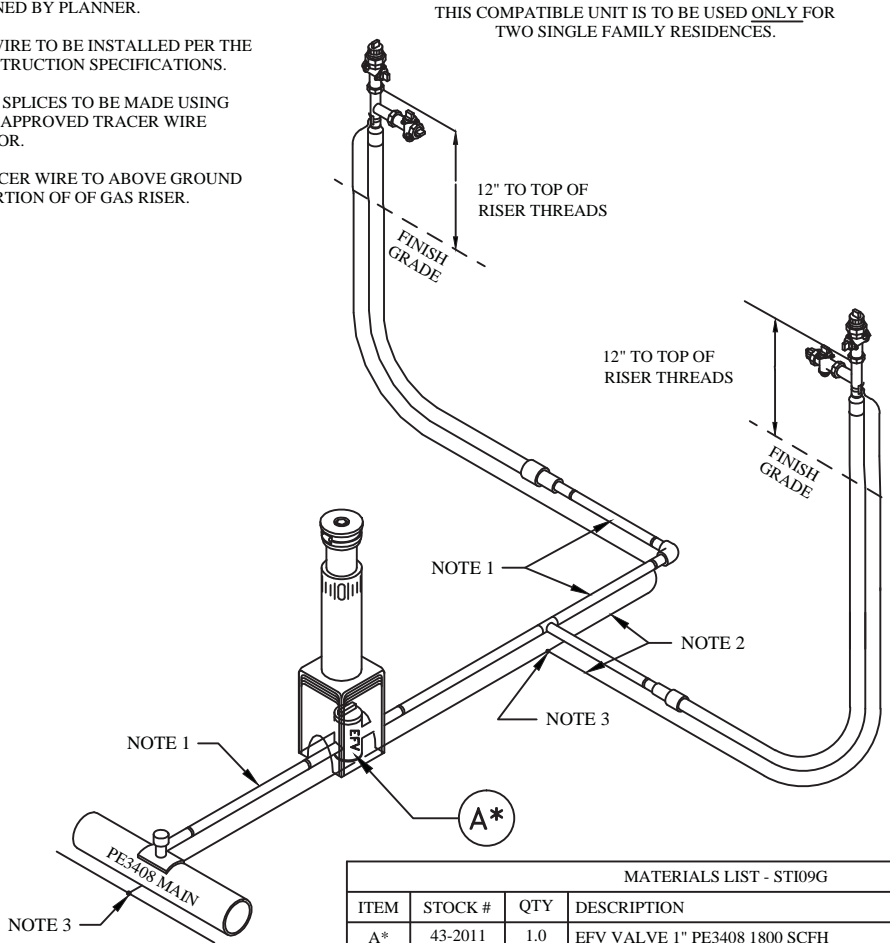


MATERIALS LIST - STI09G			
ITEM	STOCK #	QTY	DESCRIPTION
A*	43-2011	1.0	EFV VALVE 1" PE3408 1800 SCFH
A*	43-2010	1.0	VALVE 1" PE3408; ONLY USE IF LOAD EXCEEDS 1800 SCFH
B	41-5020	1.0	PIPE 1" IPS PE3408
C	45-0732	1.0	ELBOW PE3408 90 DEGREE 1" IPS BUTT FUSION
D	45-2118	1.0	TEE 1" IPS PE3408 BUTT FUSION
E	45-1904	2.0	RISER GAS 1"
F	43-0115	2.0	COCK GAS METER 1" (INSULATED)
G	43-0040	2.0	COCK GAS METER 3/4"
H	43-0015	1.0	BOX CURB GAS FOR 3/4" AND 1" VALVES
I	45-1720	2.0	PLUG PIPE 1" BLACK
J	45-1710	2.0	PLUG PIPE 3/4" BLACK
K	45-7000	2.0	TRACER WIRE CONNECTOR
L	45-7500	10.0	WIRE, TRACER YELLOW #14
M	45-2164	1.0	2" TAPPING TEE

	VOLUME 15 - ENGINEERING & CONSTRUCTION STANDARD	GSTI-ACC GSTI-DCC
	SERVICE TAP INSTALLATIONS 1" PE COMPLETE BRANCH SERVICE OFF 2" PE MAIN	
Drawn: CM Eng: CLD Appr: XX Date: 6/2017		Revision: X Page 29 of 53

NOTES:

- 1) 1" PE3408 PIPE LENGTH TO BE DETERMINED BY PLANNER.
- 2) TRACER WIRE TO BE INSTALLED PER THE GAS CONSTRUCTION SPECIFICATIONS.
- 3) ALL WIRE SPLICES TO BE MADE USING CURRENT APPROVED TRACER WIRE CONNECTOR.
- 4) TAPE TRACER WIRE TO ABOVE GROUND STEEL PORTION OF OF GAS RISER.

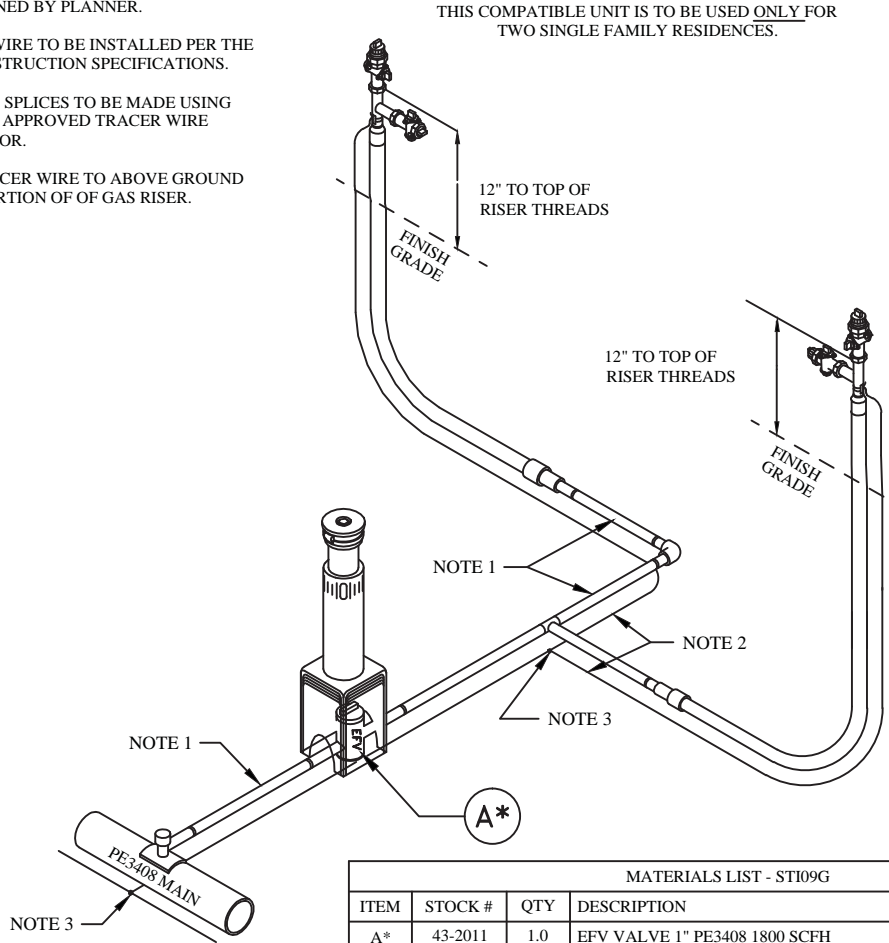


MATERIALS LIST - STI09G			
ITEM	STOCK #	QTY	DESCRIPTION
A*	43-2011	1.0	EFV VALVE 1" PE3408 1800 SCFH
A*	43-2010	1.0	VALVE 1" PE3408; ONLY USE IF LOAD EXCEEDS 1800 SCFH
B	41-5020	1.0	PIPE 1" IPS PE3408
C	45-0732	1.0	ELBOW PE3408 90 DEGREE 1" IPS BUTT FUSION
D	45-2118	1.0	TEE 1" IPS PE3408 BUTT FUSION
E	45-1904	2.0	RISER GAS 1"
F	43-0115	2.0	COCK GAS METER 1" (INSULATED)
G	43-0040	2.0	COCK GAS METER 3/4"
H	43-0015	1.0	BOX CURB GAS FOR 3/4" AND 1" VALVES
I	45-1720	2.0	PLUG PIPE 1" BLACK
J	45-1710	2.0	PLUG PIPE 3/4" BLACK
K	45-7000	2.0	TRACER WIRE CONNECTOR
L	45-7500	10.0	WIRE, TRACER YELLOW #14
M	45-2168	1.0	4" TAPPING TEE

	VOLUME 15 - ENGINEERING & CONSTRUCTION STANDARD	GSTI-BCC GSTI-ECC							
	SERVICE TAP INSTALLATIONS 1" PE COMPLETE BRANCH SERVICE OFF 4" PE MAIN								
<table border="1" style="width: 100%; border-collapse: collapse;"> <tr> <td style="width: 25%;">Drawn:</td> <td style="width: 25%;">Eng:</td> <td style="width: 25%;">Appr:</td> <td style="width: 25%;">Date:</td> </tr> <tr> <td>CM</td> <td>CLD</td> <td>XX</td> <td>6/2017</td> </tr> </table>	Drawn:	Eng:	Appr:	Date:	CM	CLD	XX	6/2017	Revision: X Page 30 of 53
Drawn:	Eng:	Appr:	Date:						
CM	CLD	XX	6/2017						

NOTES:

- 1) 1" PE3408 PIPE LENGTH TO BE DETERMINED BY PLANNER.
- 2) TRACER WIRE TO BE INSTALLED PER THE GAS CONSTRUCTION SPECIFICATIONS.
- 3) ALL WIRE SPLICES TO BE MADE USING CURRENT APPROVED TRACER WIRE CONNECTOR.
- 4) TAPE TRACER WIRE TO ABOVE GROUND STEEL PORTION OF OF GAS RISER.



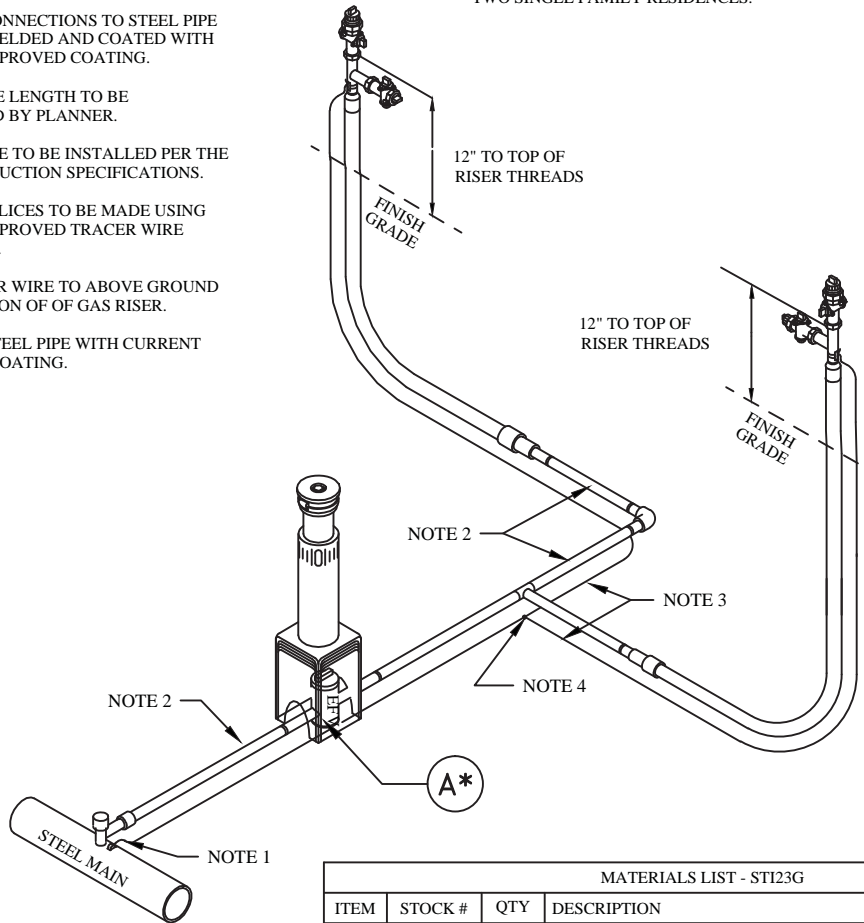
MATERIALS LIST - STI09G			
ITEM	STOCK #	QTY	DESCRIPTION
A*	43-2011	1.0	EFV VALVE 1" PE3408 1800 SCFH
A*	43-2010	1.0	VALVE 1" PE3408; ONLY USE IF LOAD EXCEEDS 1800 SCFH
B	41-5020	1.0	PIPE 1" IPS PE3408
C	45-0732	1.0	ELBOW PE3408 90 DEGREE 1" IPS BUTT FUSION
D	45-2118	1.0	TEE 1" IPS PE3408 BUTT FUSION
E	45-1904	2.0	RISER GAS 1"
F	43-0115	2.0	COCK GAS METER 1" (INSULATED)
G	43-0040	2.0	COCK GAS METER 3/4"
H	43-0015	1.0	BOX CURB GAS FOR 3/4" AND 1" VALVES
I	45-1720	2.0	PLUG PIPE 1" BLACK
J	45-1710	2.0	PLUG PIPE 3/4" BLACK
K	45-7000	2.0	TRACER WIRE CONNECTOR
L	45-7500	10.0	WIRE, TRACER YELLOW #14
M	45-2172	1.0	6" TAPPING TEE

	VOLUME 15 - ENGINEERING & CONSTRUCTION STANDARD	GSTI-CCC GSTI-FCC
	SERVICE TAP INSTALLATIONS 1" PE COMPLETE BRANCH SERVICE OFF 6" PE MAIN	
Drawn: CM Eng: CLD Appr: XX Date: 6/2017		Revision: X Page 31 of 53

NOTES:

- 1) ALL WIRE CONNECTIONS TO STEEL PIPE TO BE CADWELDED AND COATED WITH CURRENT APPROVED COATING.
- 2) 1" PE3408 PIPE LENGTH TO BE DETERMINED BY PLANNER.
- 3) TRACER WIRE TO BE INSTALLED PER THE GAS CONSTRUCTION SPECIFICATIONS.
- 4) ALL WIRE SPLICES TO BE MADE USING CURRENT APPROVED TRACER WIRE CONNECTOR.
- 5) TAPE TRACER WIRE TO ABOVE GROUND STEEL PORTION OF OF GAS RISER.
- 6) COAT ALL STEEL PIPE WITH CURRENT APPROVED COATING.

THIS COMPATIBLE UNIT IS TO BE USED ONLY FOR TWO SINGLE FAMILY RESIDENCES.



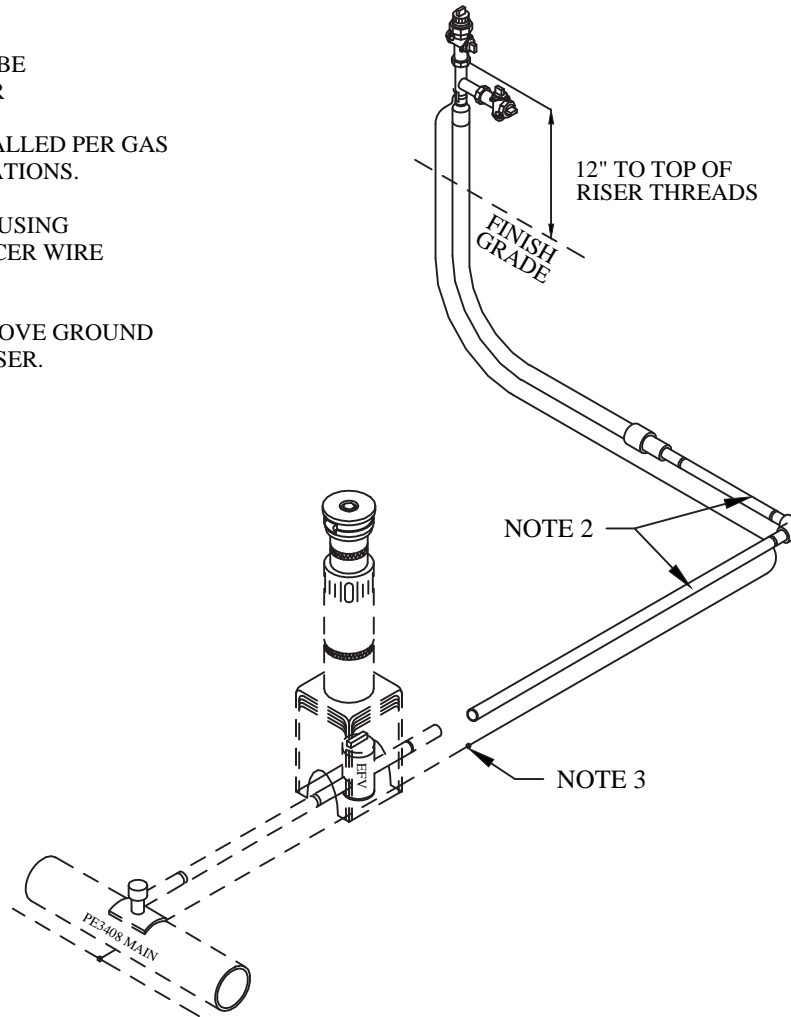
MATERIALS LIST - STI23G			
ITEM	STOCK #	QTY	DESCRIPTION
A*	43-2011	1.0	EFV VALVE 1" PE3408 1800 SCFH
A*	43-2010	1.0	VALVE 1" PE3408; ONLY USE IF LOAD EXCEEDS 1800 SCFH
B	45-2212	1.0	TEE SERVICE 1" PE3408/4710 OUTLET, STEEL WELD BASE
C	45-0732	1.0	ELBOW PE3408 90 DEGREE 1" IPS BUTT FUSION
D	45-2118	1.0	TEE 1" IPS PE3408 BUTT FUSION
E	45-1904	2.0	RISER GAS 1"
F	43-0115	2.0	COCK GAS METER 1" (INSULATED)
G	43-0040	2.0	COCK GAS METER 3/4"
H	43-0015	1.0	BOX CURB GAS FOR 3/4" AND 1" VALVES
I	45-1720	2.0	PLUG PIPE 1" BLACK
J	45-1710	2.0	PLUG PIPE 3/4" BLACK
K	45-7000	2.0	TRACER WIRE CONNECTOR
L	45-7500	10.0	WIRE, TRACER YELLOW #14
M	47-0038	1.0	CADWELD CHARGE
N	47-0037	1.0	CADWELD SLEEVE

COATING MATERIALS LIST		
STOCK #	QTY	DESCRIPTION
47-0280	1.0	VALVE PRIMER
47-0276	1.0	VALVE FILLER
47-0272	1.0	2" WIDE WAX WRAP TAPE
47-0278	1.0	PLASTIC OUTER WRAP
47-0600	1.0	CADWELD "HANDY CAP"


	VOLUME 15 - ENGINEERING & CONSTRUCTION STANDARD	GSTI-GCC								
	SERVICE TAP INSTALLATIONS 1" PE BRANCH SERVICE OFF STEEL MAIN									
<table border="1" style="width: 100%; border-collapse: collapse;"> <tr> <td style="width: 25%;">Drawn:</td> <td style="width: 25%;">Eng:</td> <td style="width: 25%;">Appr:</td> <td style="width: 25%;">Date:</td> </tr> <tr> <td>CM</td> <td>CLD</td> <td>XX</td> <td>6/2017</td> </tr> </table>	Drawn:	Eng:	Appr:	Date:	CM	CLD	XX	6/2017	Revision: X Page 32 of 53	
Drawn:	Eng:	Appr:	Date:							
CM	CLD	XX	6/2017							

NOTES:

- 1) 1" PE3408 PIPE LENGTH TO BE DETERMINED BY PLANNER
- 2) TRACER WIRE TO BE INSTALLED PER GAS CONSTRUCTION SPECIFICATIONS.
- 3) ALL SPLICES TO BE MADE USING CURRENT APPROVED TRACER WIRE CONNECTOR.
- 4) TAPE TRACER WIRE TO ABOVE GROUND STEEL PORTION OF GAS RISER.



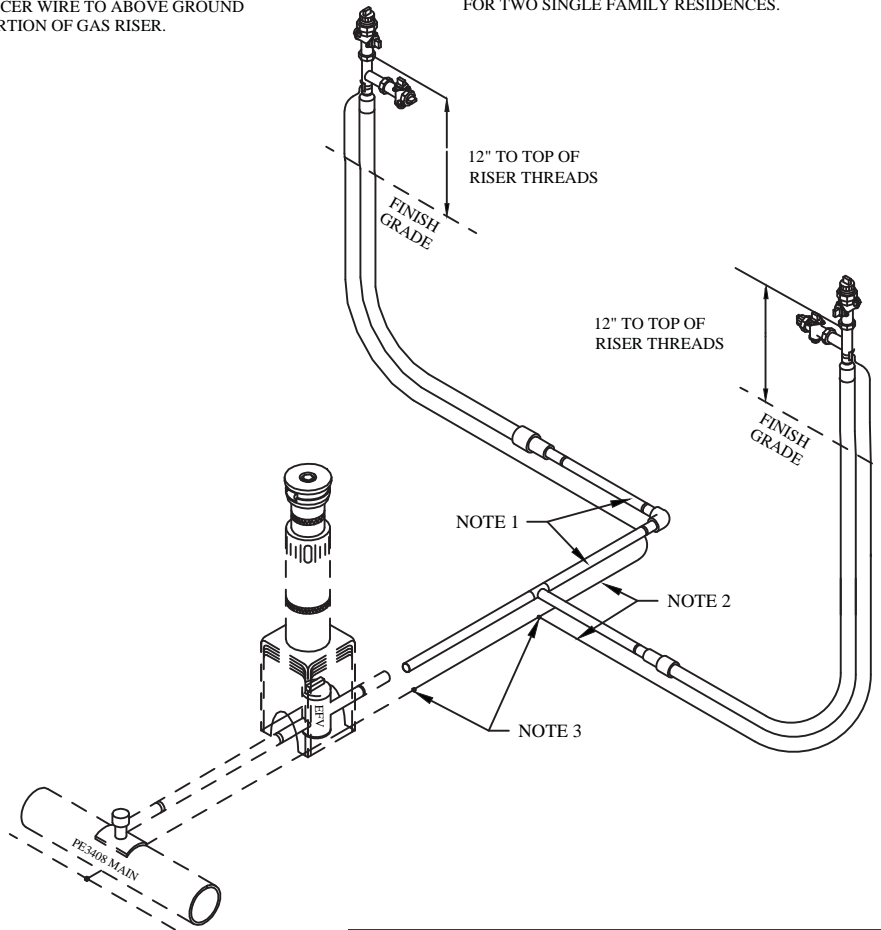
MATERIALS LIST - STI26G			
ITEM	STOCK #	QTY	DESCRIPTION
A	45-0732	1.0	ELBOW PE3408 90 DEGREE 1" IPS BUTT FUSION
B	45-1904	1.0	RISER GAS 1"
C	43-0115	1.0	COCK GAS METER 1" (INSULATED)
D	45-1720	1.0	PLUG PIPE 1" BLACK
E	45-7000	1.0	TRACER WIRE CONNECTOR

	VOLUME 15 - ENGINEERING & CONSTRUCTION STANDARD	GSTI-HCD GSTI-HCF	
	SERVICE TAP INSTALLATIONS 1" PE SINGLE SERVICE COMPLETION OFF STEEL MAIN		Revision: X Page 33 of 53
Drawn: CM Eng: CLD Appr: XX Date: 6/2017			

NOTES:

- 1) 1" PE3408 PIPE LENGTH TO BE DETERMINED BY PLANNER
- 2) TRACER WIRE TO BE INSTALLED PER GAS CONSTRUCTION SPECIFICATIONS.
- 3) ALL SPLICES TO BE MADE USING CURRENT APPROVED TRACER WIRE CONNECTOR.
- 4) TAPE TRACER WIRE TO ABOVE GROUND STEEL PORTION OF GAS RISER.

THIS COMPATIBLE UNIT IS TO BE USED ONLY FOR TWO SINGLE FAMILY RESIDENCES.

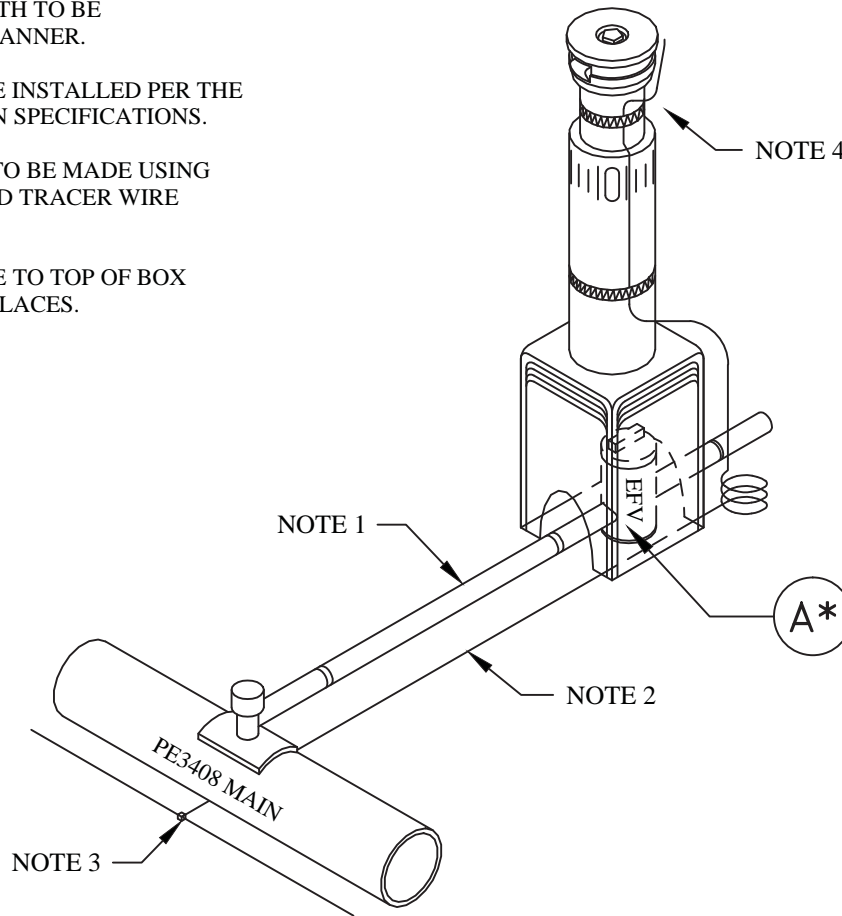


MATERIALS LIST - STI30G			
ITEM	STOCK #	QTY	DESCRIPTION
A	45-2118	1.0	TEE 1" IPS BUTT FUSION PE3408
B	45-0732	1.0	ELBOW PE3408 90 DEGREE 1" IPS BUTT FUSION
C	45-1904	2.0	RISER GAS 1"
D	43-0115	2.0	COCK GAS METER 1" (INSULATED)
E	45-1720	2.0	PLUG PIPE 1" BLACK
F	45-7000	2.0	TRACER WIRE CONNECTOR


	VOLUME 15 - ENGINEERING & CONSTRUCTION STANDARD	GSTI-HCE								
	SERVICE TAP INSTALLATIONS 1" PE BRANCH SERVICE COMPLETION									
<table border="1" style="width: 100%; border-collapse: collapse;"> <tr> <td style="width: 25%;">Drawn:</td> <td style="width: 25%;">Eng:</td> <td style="width: 25%;">Appr:</td> <td style="width: 25%;">Date:</td> </tr> <tr> <td>CM</td> <td>CLD</td> <td>XX</td> <td>6/2017</td> </tr> </table>	Drawn:	Eng:	Appr:	Date:	CM	CLD	XX	6/2017	Revision: X Page 34 of 53	
Drawn:	Eng:	Appr:	Date:							
CM	CLD	XX	6/2017							

NOTES:

- 1) 1" PE3408 PIPE LENGTH TO BE DETERMINED BY PLANNER.
- 2) TRACER WIRE TO BE INSTALLED PER THE GAS CONSTRUCTION SPECIFICATIONS.
- 3) ALL WIRE SPLICES TO BE MADE USING CURRENT APPROVED TRACER WIRE CONNECTOR.
- 4) RAISE TRACER WIRE TO TOP OF BOX AND TAPE IN TWO PLACES.

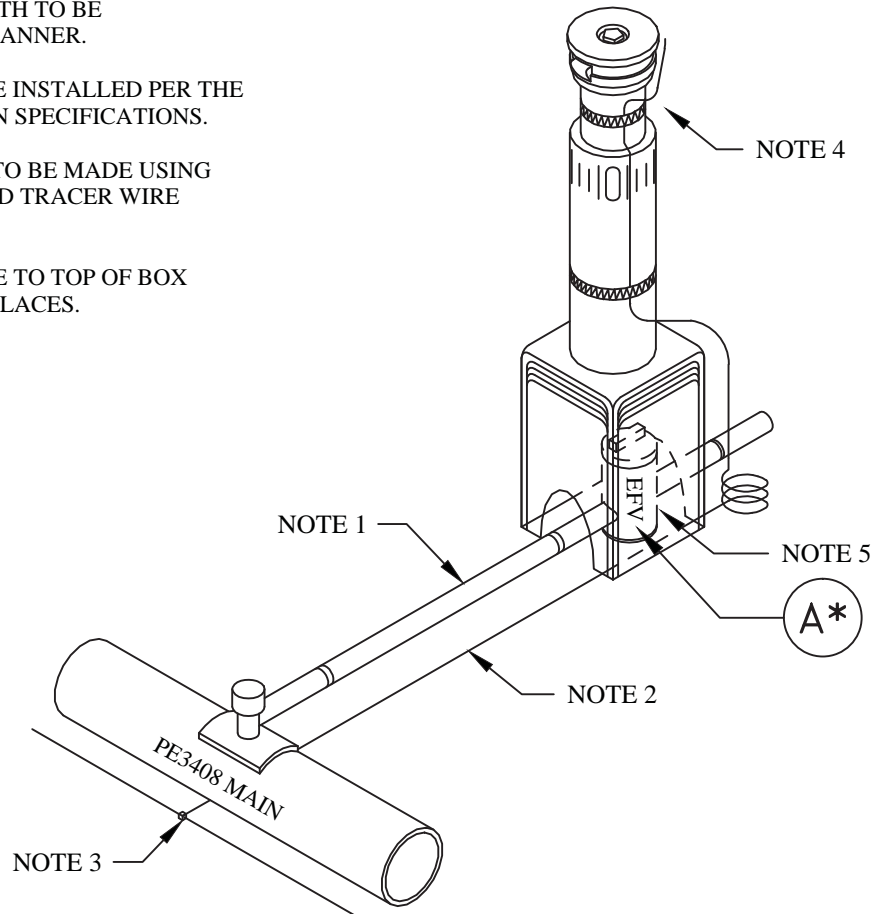


MATERIALS LIST - STI03G			
ITEM	STOCK #	QTY	DESCRIPTION
A*	43-2021	1.0	EFV VALVE 1 1/4" PE3408 2600 SCFH
A*	43-2020	1.0	VALVE 1 1/4" PE3408; ONLY USE IF LOAD EXCEEDS 2600 SCFH
B	43-0018	1.0	BOX 1-1/4" AND 2" PE VALVES TRAFFIC RATED H-20
C	45-0154	1.0	CAP 1 1/4" PE3408 BUTT FUSION
D	45-7000	1.0	TRACER WIRE CONNECTOR
E	45-7500	10.0	WIRE, TRACER YELLOW #14
F	45-2164	1.0	2" TAPPING TEE


	VOLUME 15 - ENGINEERING & CONSTRUCTION STANDARD				GSTI-ADA GSTI-DDA							
	SERVICE TAP INSTALLATIONS 1 1/4" PE SERVICE STUB OFF 2" PE MAIN											
<table border="1"> <tr> <th>Drawn:</th> <th>Eng:</th> <th>Appr:</th> <th>Date:</th> </tr> <tr> <td>CM</td> <td>CLD</td> <td>XX</td> <td>6/2017</td> </tr> </table>	Drawn:	Eng:	Appr:	Date:	CM	CLD	XX	6/2017				Revision: X Page 35 of 53
Drawn:	Eng:	Appr:	Date:									
CM	CLD	XX	6/2017									

NOTES:

- 1) 1" PE3408 PIPE LENGTH TO BE DETERMINED BY PLANNER.
- 2) TRACER WIRE TO BE INSTALLED PER THE GAS CONSTRUCTION SPECIFICATIONS.
- 3) ALL WIRE SPLICES TO BE MADE USING CURRENT APPROVED TRACER WIRE CONNECTOR.
- 4) RAISE TRACER WIRE TO TOP OF BOX AND TAPE IN TWO PLACES.

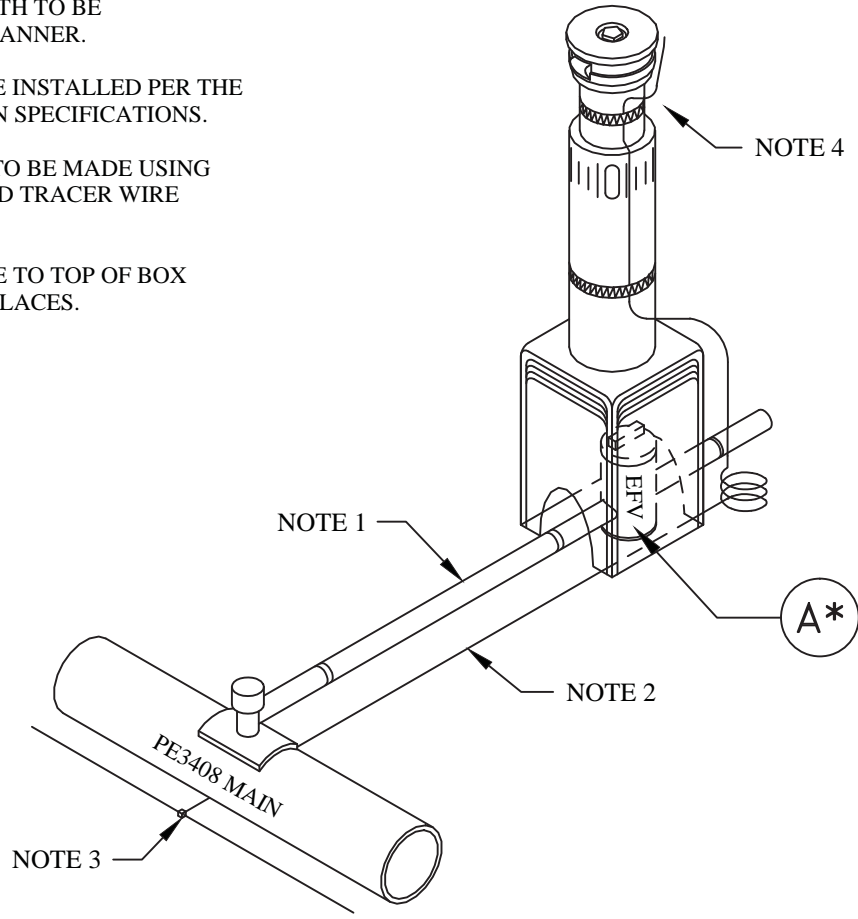


MATERIALS LIST - STI03G			
ITEM	STOCK #	QTY	DESCRIPTION
A*	43-2021	1.0	EFV VALVE 1 1/4" PE3408 2600 SCFH
A*	43-2020	1.0	VALVE 1 1/4" PE3408; ONLY USE IF LOAD EXCEEDS 2600 SCFH
B	43-0018	1.0	BOX 1-1/4" AND 2" PE VALVES TRAFFIC RATED H-20
C	45-0154	1.0	CAP 1 1/4" PE3408 BUTT FUSION
D	45-7000	1.0	TRACER WIRE CONNECTOR
E	45-7500	10.0	WIRE, TRACER YELLOW #14
F	45-2168	1.0	4" TAPPING TEE

	VOLUME 15 - ENGINEERING & CONSTRUCTION STANDARD				GSTI-BDA GSTI-EDA							
	SERVICE TAP INSTALLATIONS 1 1/4" PE SERVICE STUB OFF 4" PE MAIN											
<table border="1"> <tr> <th>Drawn:</th> <th>Eng:</th> <th>Appr:</th> <th>Date:</th> </tr> <tr> <td>CM</td> <td>CLD</td> <td>XX</td> <td>6/2017</td> </tr> </table>	Drawn:	Eng:	Appr:	Date:	CM	CLD	XX	6/2017				Revision: X Page 36 of 53
Drawn:	Eng:	Appr:	Date:									
CM	CLD	XX	6/2017									

NOTES:

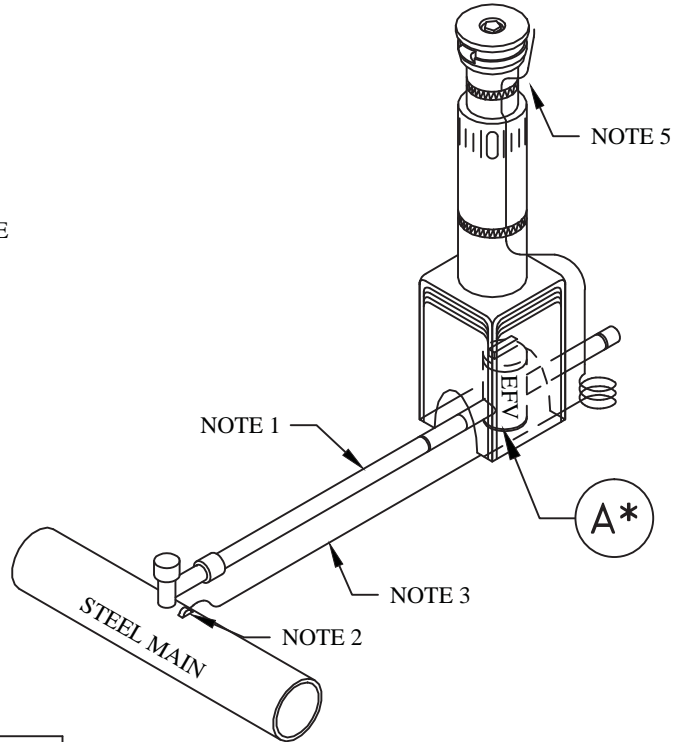
- 1) 1" PE3408 PIPE LENGTH TO BE DETERMINED BY PLANNER.
- 2) TRACER WIRE TO BE INSTALLED PER THE GAS CONSTRUCTION SPECIFICATIONS.
- 3) ALL WIRE SPLICES TO BE MADE USING CURRENT APPROVED TRACER WIRE CONNECTOR.
- 4) RAISE TRACER WIRE TO TOP OF BOX AND TAPE IN TWO PLACES.



MATERIALS LIST - STI03G			
ITEM	STOCK #	QTY	DESCRIPTION
A*	43-2021	1.0	EFV VALVE 1 1/4" PE3408 2600 SCFH
A*	43-2020	1.0	VALVE 1 1/4" PE3408; ONLY USE IF LOAD EXCEEDS 2600 SCFH
B	43-0018	1.0	BOX 1-1/4" AND 2" PE VALVES TRAFFIC RATED H-20
C	45-0154	1.0	CAP 1 1/4" PE3408 BUTT FUSION
D	45-7000	1.0	TRACER WIRE CONNECTOR
E	45-7500	10.0	WIRE, TRACER YELLOW #14
F	45-2172	1.0	6" TAPPING TEE

NOTES:

- 1) 1-1/4" PE3408 PIPE LENGTH TO BE DETERMINED BY PLANNER.
- 2) ALL WIRE CONNECTIONS TO STEEL PIPE TO BE CADWELDED AND COATED WITH CURRENT APPROVED COATING.
- 3) TRACER WIRE TO BE INSTALLED PER THE GAS CONSTRUCTION SPECIFICATIONS.
- 4) COAT ALL STEEL PIPE WITH CURRENT APPROVED COATING.
- 5) RAISE TRACER WIRE TO TOP OF BOX AND TAPE IN TWO PLACES.



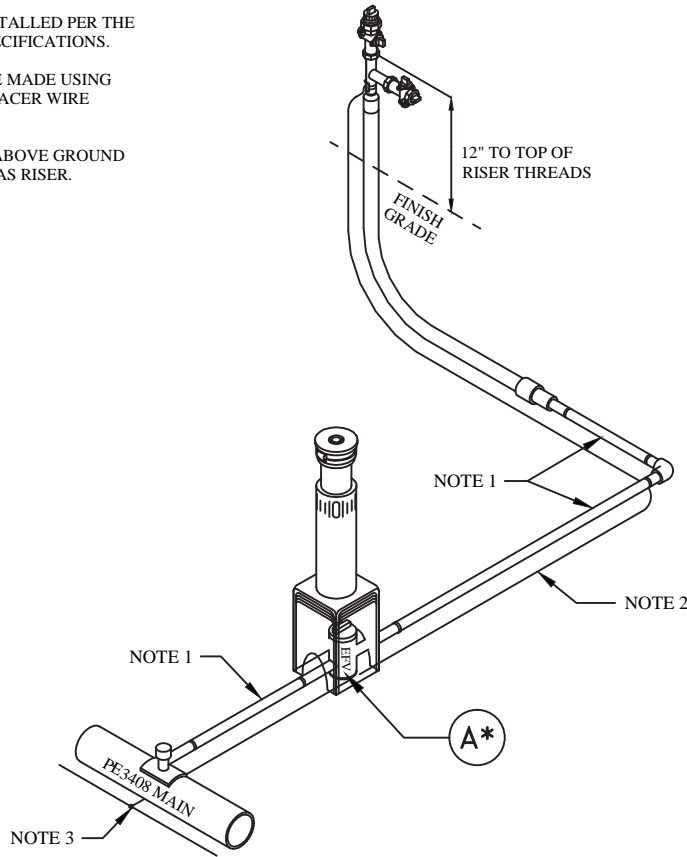
COATING MATERIALS LIST		
STOCK #	QTY	DESCRIPTION
47-0280	1.0	VALVE PRIMER
47-0276	1.0	VALVE FILLER
47-0272	1.0	2" WIDE WAX WRAP TAPE
47-0278	1.0	PLASTIC OUTER WRAP

MATERIALS LIST - STI17G			
ITEM	STOCK #	QTY	DESCRIPTION
A*	43-2021	1.0	EFV VALVE 1 1/4" PE3408 2600 SCFH
A*	43-2020	1.0	VALVE 1 1/4" PE3408; ONLY USE IF LOAD EXCEEDS 2600 SCFH
B	45-2214	1.0	TEE SERVICE 1-1/4" PE3408/4710 OUTLET, STEEL WELD BASE
C	43-0018	1.0	BOX 1-1/4" AND 2" PE VALVES TRAFFIC RATED H-20
D	45-0154	1.0	CAP 1-1/4" PE3408 BUTT FUSION
E	45-7500	10.0	WIRE, TRACER YELLOW #14

	VOLUME 15 - ENGINEERING & CONSTRUCTION STANDARD	GSTI-GDA							
	SERVICE TAP INSTALLATIONS 1 1/4" PE SERVICE STUB OFF STEEL MAIN								
<table border="1" style="width: 100%; border-collapse: collapse;"> <tr> <td style="width: 25%;">Drawn:</td> <td style="width: 25%;">Eng:</td> <td style="width: 25%;">Appr:</td> <td style="width: 25%;">Date:</td> </tr> <tr> <td>CM</td> <td>CLD</td> <td>XX</td> <td>6/2017</td> </tr> </table>	Drawn:	Eng:	Appr:	Date:	CM	CLD	XX	6/2017	Revision: X Page 38 of 53
Drawn:	Eng:	Appr:	Date:						
CM	CLD	XX	6/2017						

NOTES:

- 1) 1 1/4" PE3408 PIPE LENGTH TO BE DETERMINED BY PLANNER.
- 2) TRACER WIRE TO BE INSTALLED PER THE GAS CONSTRUCTION SPECIFICATIONS.
- 3) ALL WIRE SPLICES TO BE MADE USING CURRENT APPROVED TRACER WIRE CONNECTOR.
- 4) TAPE TRACER WIRE TO ABOVE GROUND STEEL PORTION OF OF GAS RISER.

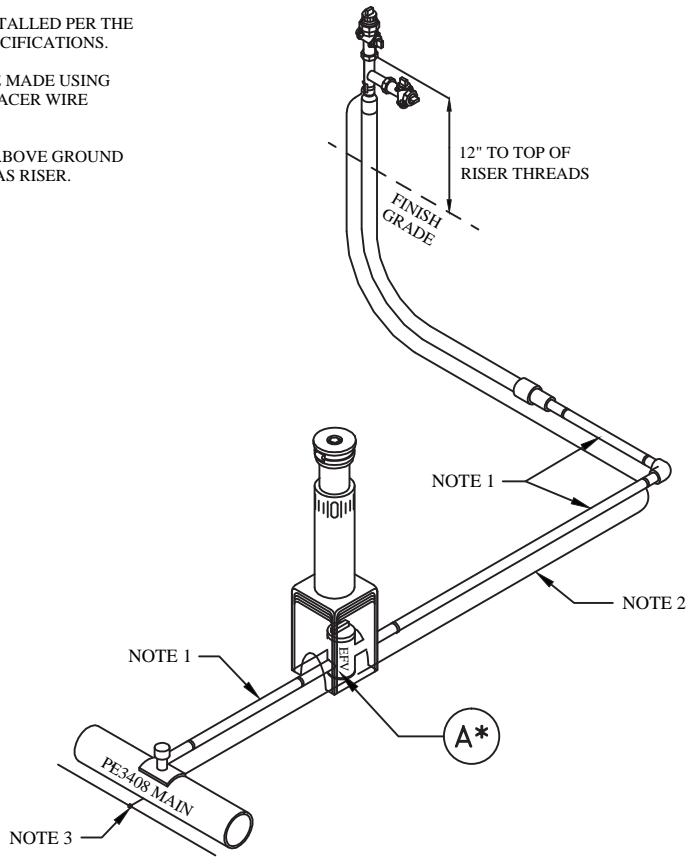


MATERIALS LIST - STI07G			
ITEM	STOCK #	QTY	DESCRIPTION
A*	43-2021	1.0	EFV VALVE 1 1/4" PE3408 2600 SCFH
A*	43-2020	1.0	VALVE 1 1/4" PE3408; ONLY USE IF LOAD EXCEEDS 2600 SCFH
B	41-5030	1.0	PIPE 1-1/4" IPS PE3408
C	45-0735	1.0	ELBOW PE3408 90 DEGREE 1-1/4" IPS BUTT FUSION
D	45-1907	1.0	RISER GAS 1-1/4"
E	43-0116	1.0	COCK GAS METER 1-1/4" (INSULATED)
F	43-0050	1.0	COCK GAS METER 1"
G	43-0018	1.0	BOX 1-1/4" AND 2" PE VALVES TRAFFIC RATED H-20
H	45-1730	1.0	PLUG PIPE 1-1/4" BLACK
I	45-1720	1.0	PLUG PIPE 1" BLACK
J	45-7000	1.0	TRACER WIRE CONNECTOR
K	45-7500	10.0	WIRE, TRACER YELLOW #14
L	45-2164	1.0	2" TAPPING TEE

	VOLUME 15 - ENGINEERING & CONSTRUCTION STANDARD	GSTI-ADB GSTI-DDB							
	SERVICE TAP INSTALLATIONS 1 1/4" PE COMPLETE SINGLE SERVICE OFF 2" PE MAIN								
<table border="1" style="width: 100%; border-collapse: collapse;"> <tr> <td style="width: 25%;">Drawn:</td> <td style="width: 25%;">Eng:</td> <td style="width: 25%;">Appr:</td> <td style="width: 25%;">Date:</td> </tr> <tr> <td>CM</td> <td>CLD</td> <td>XX</td> <td>6/2017</td> </tr> </table>	Drawn:	Eng:	Appr:	Date:	CM	CLD	XX	6/2017	Revision: X Page 39 of 53
Drawn:	Eng:	Appr:	Date:						
CM	CLD	XX	6/2017						

NOTES:

- 1) 1 1/4" PE3408 PIPE LENGTH TO BE DETERMINED BY PLANNER.
- 2) TRACER WIRE TO BE INSTALLED PER THE GAS CONSTRUCTION SPECIFICATIONS.
- 3) ALL WIRE SPLICES TO BE MADE USING CURRENT APPROVED TRACER WIRE CONNECTOR.
- 4) TAPE TRACER WIRE TO ABOVE GROUND STEEL PORTION OF OF GAS RISER.

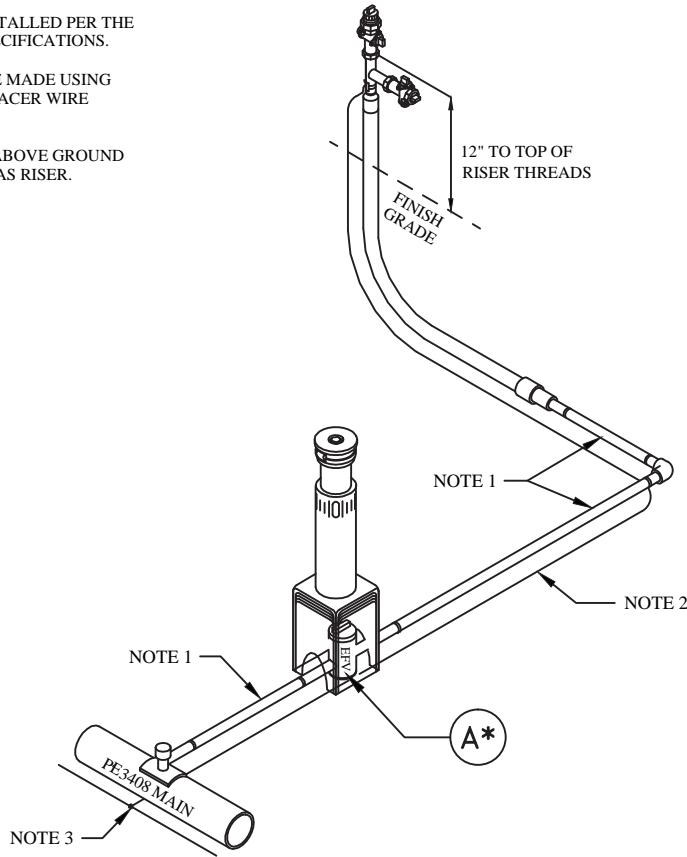


MATERIALS LIST - STI07G			
ITEM	STOCK #	QTY	DESCRIPTION
A*	43-2021	1.0	EFV VALVE 1 1/4" PE3408 2600 SCFH
A*	43-2020	1.0	VALVE 1 1/4" PE3408; ONLY USE IF LOAD EXCEEDS 2600 SCFH
B	41-5030	1.0	PIPE 1-1/4" IPS PE3408
C	45-0735	1.0	ELBOW PE3408 90 DEGREE 1-1/4" IPS BUTT FUSION
D	45-1907	1.0	RISER GAS 1-1/4"
E	43-0116	1.0	COCK GAS METER 1-1/4" (INSULATED)
F	43-0050	1.0	COCK GAS METER 1"
G	43-0018	1.0	BOX 1-1/4" AND 2" PE VALVES TRAFFIC RATED H-20
H	45-1730	1.0	PLUG PIPE 1-1/4" BLACK
I	45-1720	1.0	PLUG PIPE 1" BLACK
J	45-7000	1.0	TRACER WIRE CONNECTOR
K	45-7500	10.0	WIRE, TRACER YELLOW #14
L	45-2168	1.0	4" TAPPING TEE

	VOLUME 15 - ENGINEERING & CONSTRUCTION STANDARD	GSTI-BDB GSTI-EDB							
	SERVICE TAP INSTALLATIONS 1 1/4" PE COMPLETE SINGLE SERVICE OFF 4" PE MAIN								
<table border="1" style="width: 100%; border-collapse: collapse;"> <tr> <td style="width: 25%;">Drawn:</td> <td style="width: 25%;">Eng:</td> <td style="width: 25%;">Appr:</td> <td style="width: 25%;">Date:</td> </tr> <tr> <td>CM</td> <td>CLD</td> <td>XX</td> <td>6/2017</td> </tr> </table>	Drawn:	Eng:	Appr:	Date:	CM	CLD	XX	6/2017	Revision: X Page 40 of 53
Drawn:	Eng:	Appr:	Date:						
CM	CLD	XX	6/2017						

NOTES:

- 1) 1 1/4" PE3408 PIPE LENGTH TO BE DETERMINED BY PLANNER.
- 2) TRACER WIRE TO BE INSTALLED PER THE GAS CONSTRUCTION SPECIFICATIONS.
- 3) ALL WIRE SPLICES TO BE MADE USING CURRENT APPROVED TRACER WIRE CONNECTOR.
- 4) TAPE TRACER WIRE TO ABOVE GROUND STEEL PORTION OF OF GAS RISER.

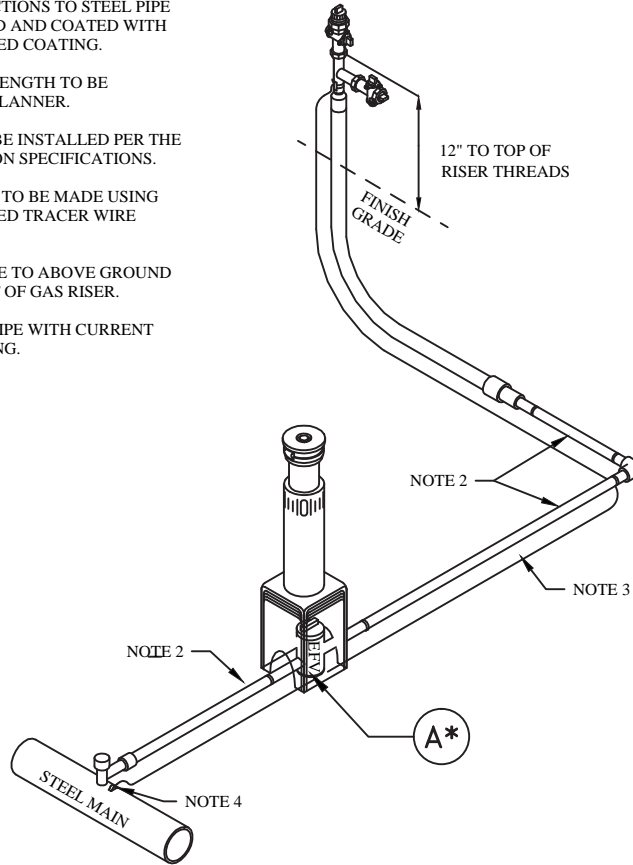


MATERIALS LIST - STI07G			
ITEM	STOCK #	QTY	DESCRIPTION
A*	43-2021	1.0	EFV VALVE 1 1/4" PE3408 2600 SCFH
A*	43-2020	1.0	VALVE 1 1/4" PE3408; ONLY USE IF LOAD EXCEEDS 2600 SCFH
B	41-5030	1.0	PIPE 1-1/4" IPS PE3408
C	45-0735	1.0	ELBOW PE3408 90 DEGREE 1-1/4" IPS BUTT FUSION
D	45-1907	1.0	RISER GAS 1-1/4"
E	43-0116	1.0	COCK GAS METER 1-1/4" (INSULATED)
F	43-0050	1.0	COCK GAS METER 1"
G	43-0018	1.0	BOX 1-1/4" AND 2" PE VALVES TRAFFIC RATED H-20
H	45-1730	1.0	PLUG PIPE 1-1/4" BLACK
I	45-1720	1.0	PLUG PIPE 1" BLACK
J	45-7000	1.0	TRACER WIRE CONNECTOR
K	45-7500	10.0	WIRE, TRACER YELLOW #14
L	45-2172	1.0	6" TAPPING TEE

	VOLUME 15 - ENGINEERING & CONSTRUCTION STANDARD	GSTI-CDB GSTI-FDB							
	SERVICE TAP INSTALLATIONS 1 1/4" PE COMPLETE SINGLE SERVICE OFF 6" PE MAIN								
<table border="1" style="width: 100%; border-collapse: collapse;"> <tr> <td style="width: 25%;">Drawn:</td> <td style="width: 25%;">Eng:</td> <td style="width: 25%;">Appr:</td> <td style="width: 25%;">Date:</td> </tr> <tr> <td>CM</td> <td>CLD</td> <td>XX</td> <td>6/2017</td> </tr> </table>	Drawn:	Eng:	Appr:	Date:	CM	CLD	XX	6/2017	Revision: X Page 41 of 53
Drawn:	Eng:	Appr:	Date:						
CM	CLD	XX	6/2017						

NOTES:

- 1) ALL WIRE CONNECTIONS TO STEEL PIPE TO BE CADWELDED AND COATED WITH CURRENT APPROVED COATING.
- 2) 1-1/4" PE3408 PIPE LENGTH TO BE DETERMINED BY PLANNER.
- 3) TRACER WIRE TO BE INSTALLED PER THE GAS CONSTRUCTION SPECIFICATIONS.
- 4) ALL WIRE SPLICES TO BE MADE USING CURRENT APPROVED TRACER WIRE CONNECTOR.
- 5) TAPE TRACER WIRE TO ABOVE GROUND STEEL PORTION OF OF GAS RISER.
- 6) COAT ALL STEEL PIPE WITH CURRENT APPROVED COATING.



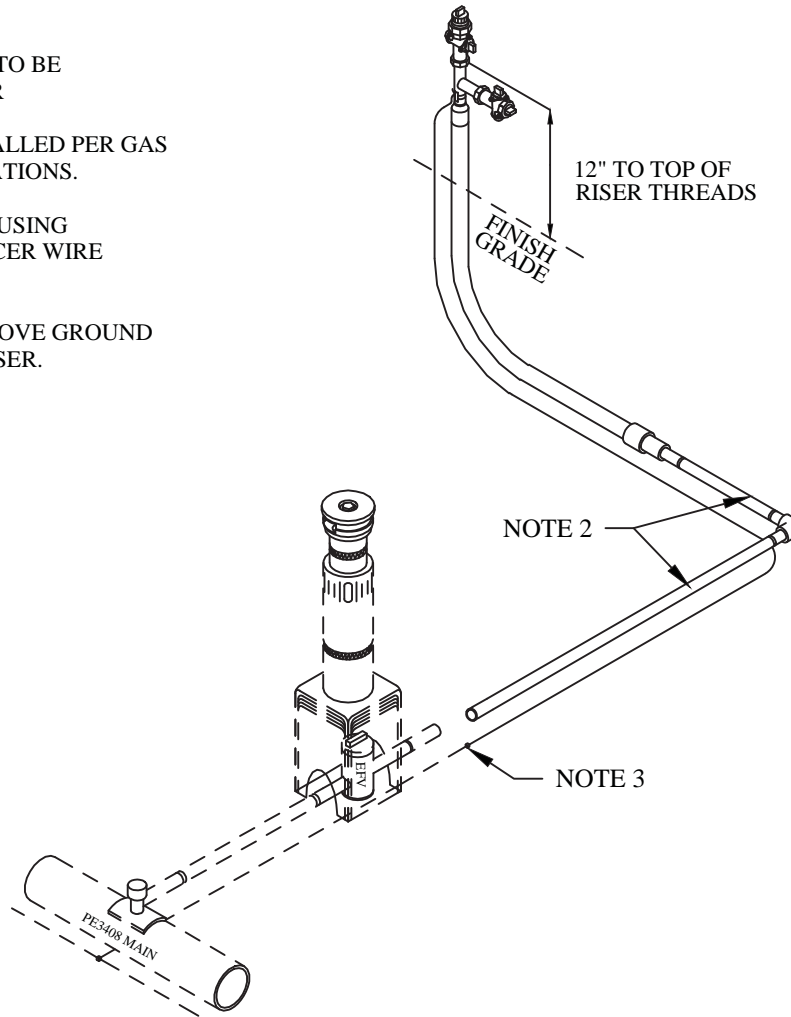
MATERIALS LIST - STI21G			
ITEM	STOCK #	QTY	DESCRIPTION
A*	43-2021	1.0	EFV VALVE 1 1/4" PE3408 2600 SCFH
A*	43-2020	1.0	VALVE 1 1/4" PE3408; ONLY USE IF LOAD EXCEEDS 2600 SCFH
B	45-2214	1.0	TEE SERVICE 1-1/4" PE3408/4710 OUTLET, STEEL WELD BASE
C	45-0735	1.0	ELBOW PE3408 90 DEGREE 1-1/4" IPS BUTT FUSION
D	45-1907	1.0	RISER GAS 1-1/4"
E	43-0116	1.0	COCK GAS METER 1-1/4" (INSULATED)
F	43-0050	1.0	COCK GAS METER 1"
G	43-0015	1.0	BOX CURB GAS FOR 1-1/4" AND 2" VALVES TRAFFIC RATED H-20
H	45-1730	1.0	PLUG PIPE 1-1/4" BLACK
I	45-1720	1.0	PLUG PIPE 1" BLACK
J	45-7000	1.0	TRACER WIRE CONNECTOR
K	45-7500	10.0	WIRE, TRACER YELLOW #14
L	47-0038	1.0	CADWELD CHARGE
M	47-0037	1.0	CADWELD SLEEVE

COATING MATERIALS LIST		
STOCK #	QTY	DESCRIPTION
47-0280	1.0	VALVE PRIMER
47-0276	1.0	VALVE FILLER
47-0272	1.0	2" WIDE WAX WRAP TAPE
47-0278	1.0	PLASTIC OUTER WRAP
47-0600	1.0	CADWELD "HANDY CAP"


	VOLUME 15 - ENGINEERING & CONSTRUCTION STANDARD	GSTI-GDB								
	SERVICE TAP INSTALLATIONS 1 1/4" PE COMPLETE SERVICE OFF STEEL MAIN									
<table border="1" style="width: 100%; border-collapse: collapse;"> <tr> <td style="width: 25%;">Drawn:</td> <td style="width: 25%;">Eng:</td> <td style="width: 25%;">Appr:</td> <td style="width: 25%;">Date:</td> </tr> <tr> <td>CM</td> <td>CLD</td> <td>XX</td> <td>6/2017</td> </tr> </table>	Drawn:	Eng:	Appr:	Date:	CM	CLD	XX	6/2017	Revision: X Page 42 of 53	
Drawn:	Eng:	Appr:	Date:							
CM	CLD	XX	6/2017							

NOTES:

- 1) 1 1/4" PE3408 PIPE LENGTH TO BE DETERMINED BY PLANNER
- 2) TRACER WIRE TO BE INSTALLED PER GAS CONSTRUCTION SPECIFICATIONS.
- 3) ALL SPLICES TO BE MADE USING CURRENT APPROVED TRACER WIRE CONNECTOR.
- 4) TAPE TRACER WIRE TO ABOVE GROUND STEEL PORTION OF GAS RISER.

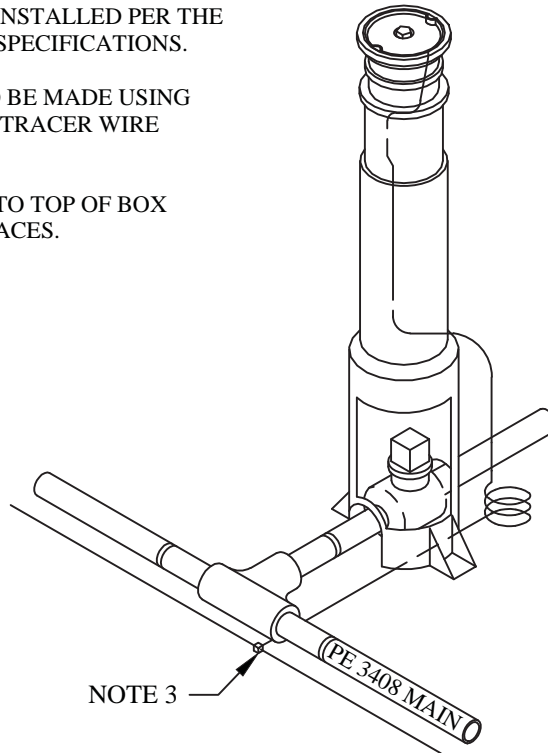


MATERIALS LIST - STI27G			
ITEM	STOCK #	QTY	DESCRIPTION
A	45-0735	1.0	ELBOW PE3408 90 DEGREE 1 1/4" IPS BUTT FUSION
B	45-1907	1.0	RISER GAS 1 1/4"
C	43-0116	1.0	COCK GAS METER 1 1/4"
D	43-0115	1.0	COCK GAS METER 1" (INSULATED)
E	45-1720	1.0	PLUG PIPE 1" BLACK
F	45-7000	1.0	TRACER WIRE CONNECTOR


	VOLUME 15 - ENGINEERING & CONSTRUCTION STANDARD		GSTI-HDD GSTI-HDF
	SERVICE TAP INSTALLATIONS 1 1/4" PE SINGLE SERVICE COMPLETION OFF STEEL MAIN		
Drawn: CM Eng: CLD Appr: XX Date: 6/2017			Revision: X Page 43 of 53

NOTES:

- 1) 2" PE3408 PIPE LENGTH TO BE DETERMINED BY PLANNER.
- 2) TRACER WIRE TO BE INSTALLED PER THE GAS CONSTRUCTION SPECIFICATIONS.
- 3) ALL WIRE SPLICES TO BE MADE USING CURRENT APPROVED TRACER WIRE CONNECTOR.
- 4) RAISE TRACER WIRE TO TOP OF BOX AND TAPE IN TWO PLACES.

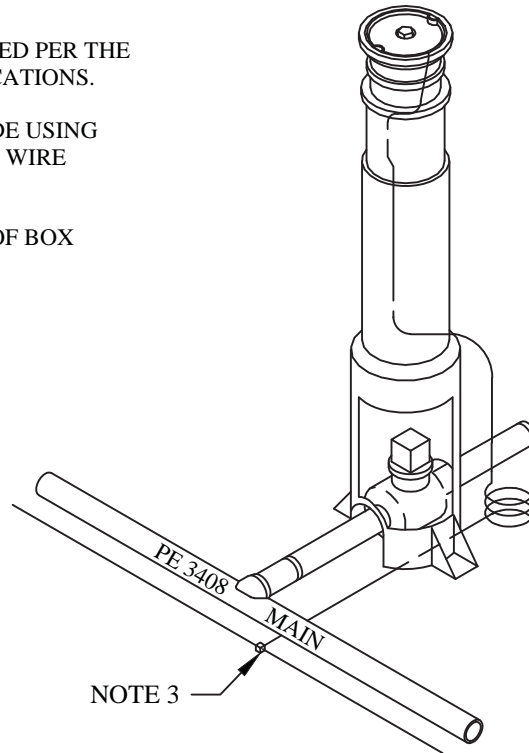


MATERIALS LIST - STI10G			
ITEM	STOCK #	QTY	DESCRIPTION
A*	45-2224	1.0	TEE 2" PE3408 BUTT FUSION
A*	45-1757	1.0	TEE REDUCING 4" X 2" PE3408 BUTT FUSION
A*	45-1762	1.0	TEE REDUCING 6" X 2" PE3408 BUTT FUSION
B	41-5040	1.0	PIPE 2" IPS PE3408
C	43-2030	1.0	VALVE 2" PE3408
D	43-0018	1.0	BOX 1-1/4" AND 2" PE VALVES TRAFFIC RATED H-20
E	45-0168	1.0	CAP 2" PE3408 BUTT FUSION
F	45-7000	1.0	TRACER WIRE CONNECTOR
G	45-7500	10.0	WIRE, TRACER YELLOW #14


	VOLUME 15 - ENGINEERING & CONSTRUCTION STANDARD		GSTI-AEA GSTI-BEA GSTI-CEA
	SERVICE TAP INSTALLATIONS 2" PE SERVICE STUB OFF NEW 2", 4", 6" PE MAIN		
Drawn: CM	Eng: CLD	Appr: XX	Date: 6/2017
			Revision: X Page 44 of 53

NOTES:

- 1) 2" PE3408 PIPE LENGTH TO BE DETERMINED BY PLANNER.
- 2) TRACER WIRE TO BE INSTALLED PER THE GAS CONSTRUCTION SPECIFICATIONS.
- 3) ALL WIRE SPLICES TO BE MADE USING CURRENT APPROVED TRACER WIRE CONNECTOR.
- 4) RAISE TRACER WIRE TO TOP OF BOX AND TAPE IN TWO PLACES.

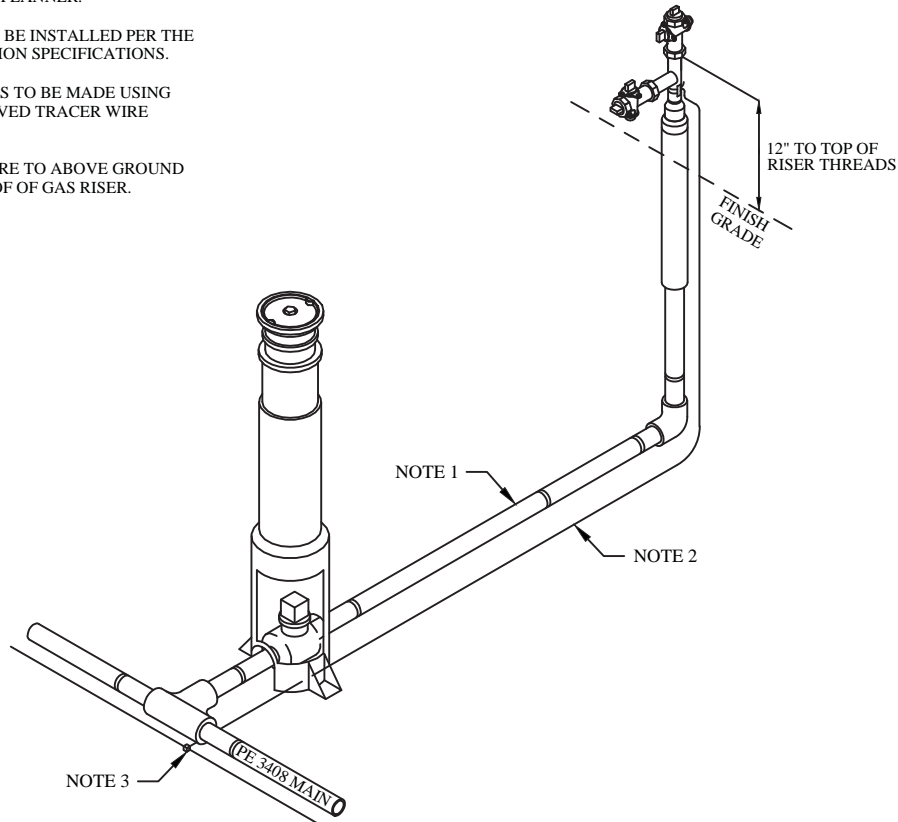


MATERIALS LIST - ST111G			
ITEM	STOCK #	QTY	DESCRIPTION
A*	45-5005	1.0	SADDLE BRANCH FOR 2" MAIN, PE3408 ELECTROFUSION
A*	45-5010	1.0	SADDLE BRANCH FOR 4" MAIN X 2", PE3408 BUTT FUSION
A*	45-5015	1.0	SADDLE BRANCH FOR 6" MAIN X 2", PE3408 BUTT FUSION
B	41-5040	1.0	PIPE 2" IPS PE3408
C	43-2030	1.0	VALVE 2" PE3408
D	43-0018	1.0	BOX 1-1/4" AND 2" PE VALVES TRAFFIC RATED H-20
E	45-0168	1.0	CAP 2" PE3408 BUTT FUSION
F	45-7000	1.0	TRACER WIRE CONNECTOR
G	45-7500	10.0	WIRE, TRACER YELLOW #14


	VOLUME 15 - ENGINEERING & CONSTRUCTION STANDARD				GSTI-DEA GSTI-EEA GSTI-FEA
	SERVICE TAP INSTALLATIONS 2" PE SERVICE STUB OFF EXISTING 2", 4", 6" PE MAIN				
Drawn: CM Eng: CLD Appr: XX Date: 6/2017					Revision: X Page 45 of 53

NOTES:

- 1) 2" PE3408 PIPE LENGTH TO BE DETERMINED BY PLANNER.
- 2) TRACER WIRE TO BE INSTALLED PER THE GAS CONSTRUCTION SPECIFICATIONS.
- 3) ALL WIRE SPLICES TO BE MADE USING CURRENT APPROVED TRACER WIRE CONNECTOR.
- 4) TAPE TRACER WIRE TO ABOVE GROUND STEEL PORTION OF OF GAS RISER.

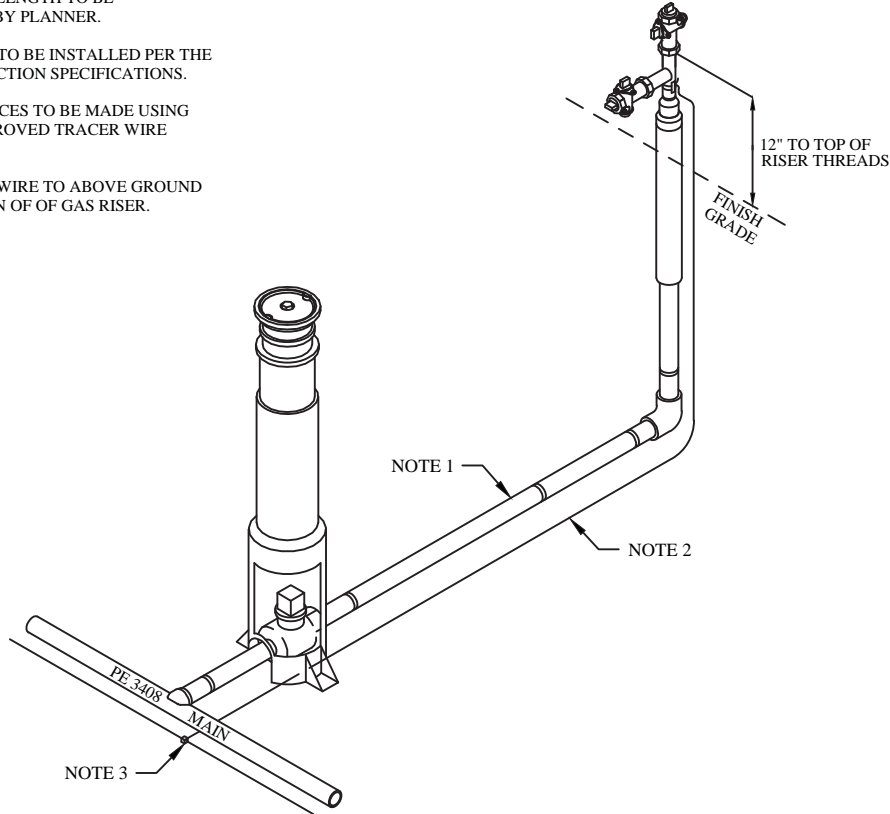


MATERIALS LIST - STI10G			
ITEM	STOCK #	QTY	DESCRIPTION
A*	45-2224	1.0	TEE 2" PE3408 BUTT FUSION
A*	45-1757	1.0	TEE REDUCING 4" X 2" PE3408 BUTT FUSION
A*	45-1762	1.0	TEE REDUCING 6" X 2" PE3408 BUTT FUSION
B	41-5040	1.0	PIPE 2" IPS PE3408
C	45-0732	1.0	ELBOW PE3408 90 DEGREE 1" IPS BUTT FUSION
D	45-1910	1.0	RISER GAS 2"
E	43-0050	1.0	COCK GAS METER 1"
F	43-0080	1.0	COCK GAS METER 2"
G	43-2030	1.0	VALVE 2" PE3408
H	43-0018	1.0	BOX 1-1/4" AND 2" PE VALVES TRAFFIC RATED H-20
I	45-1720	1.0	PLUG PIPE 1" BLACK
J	45-1740	1.0	PLUG PIPE 2" BLACK
K	45-7000	1.0	TRACER WIRE CONNECTOR
L	45-7500	10.0	WIRE, TRACER YELLOW #14

	VOLUME 15 - ENGINEERING & CONSTRUCTION STANDARD	GSTI-AEB GSTI-BEB GSTI-CEB								
	SERVICE TAP INSTALLATIONS 2" PE COMPLETE SERVICE OFF NEW 2", 4", 6" PE MAIN									
<table border="1" style="width: 100%; border-collapse: collapse;"> <tr> <td style="width: 25%;">Drawn:</td> <td style="width: 25%;">Eng:</td> <td style="width: 25%;">Appr:</td> <td style="width: 25%;">Date:</td> </tr> <tr> <td>CM</td> <td>CLD</td> <td>XX</td> <td>6/2017</td> </tr> </table>	Drawn:	Eng:	Appr:	Date:	CM	CLD	XX	6/2017	Revision: X Page 46 of 53	
Drawn:	Eng:	Appr:	Date:							
CM	CLD	XX	6/2017							

NOTES:

- 1) 2" PE3408 PIPE LENGTH TO BE DETERMINED BY PLANNER.
- 2) TRACER WIRE TO BE INSTALLED PER THE GAS CONSTRUCTION SPECIFICATIONS.
- 3) ALL WIRE SPLICES TO BE MADE USING CURRENT APPROVED TRACER WIRE CONNECTOR.
- 4) TAPE TRACER WIRE TO ABOVE GROUND STEEL PORTION OF OF GAS RISER.

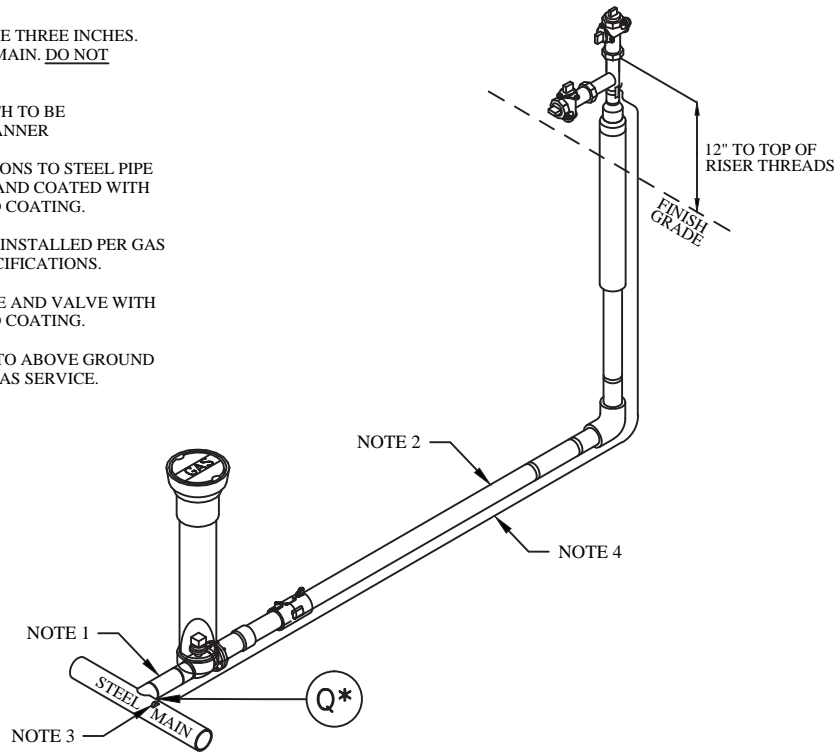


MATERIALS LIST - ST11G			
ITEM	STOCK #	QTY	DESCRIPTION
A*	45-5005	1.0	SADDLE BRANCH FOR 2" MAIN, PE3408 ELECTROFUSION
A*	45-5010	1.0	SADDLE BRANCH FOR 4" MAIN X 2", PE3408 BUTT FUSION
A*	45-5015	1.0	SADDLE BRANCH FOR 6" MAIN X 2", PE3408 BUTT FUSION
B	41-5040	1.0	PIPE 2" IPS PE3408
C	45-0732	1.0	ELBOW PE3408 90 DEGREE 1" IPS BUTT FUSION
D	45-1910	1.0	RISER GAS 2"
E	43-0050	1.0	COCK GAS METER 1"
F	43-0080	1.0	COCK GAS METER 2"
G	43-2030	1.0	VALVE 2" PE3408
H	43-0018	1.0	BOX 1-1/4" AND 2" PE VALVES TRAFFIC RATED H-20
I	45-1720	1.0	PLUG PIPE 1" BLACK
J	45-1740	1.0	PLUG PIPE 2" BLACK
K	45-7000	1.0	TRACER WIRE CONNECTOR
L	45-7500	10.0	WIRE, TRACER YELLOW #14

	VOLUME 15 - ENGINEERING & CONSTRUCTION STANDARD	GSTI-DEB GSTI-EEB GSTI-FEB
	SERVICE TAP INSTALLATIONS 2" PE COMPLETE SERVICE OFF EXISTING 2", 4", 6" PE MAIN	
Drawn: CM Eng: CLD Appr: XX Date: 6/2017		Revision: X Page 47 of 53


NOTES:

- 1) LENGTH OF PUP TO BE THREE INCHES. SADDLE PUP TO FIT MAIN. DO NOT SADDLE VALVE END.
- 2) 2" PE3408 PIPE LENGTH TO BE DETERMINED BY PLANNER
- 3) ALL WIRE CONNECTIONS TO STEEL PIPE TO BE CADWELDED AND COATED WITH CURRENT APPROVED COATING.
- 4) TRACER WIRE TO BE INSTALLED PER GAS CONSTRUCTION SPECIFICATIONS.
- 5) COAT ALL STEEL PIPE AND VALVE WITH CURRENT APPROVED COATING.
- 6) TAPE TRACER WIRE TO ABOVE GROUND STEEL PORTION OF GAS SERVICE.



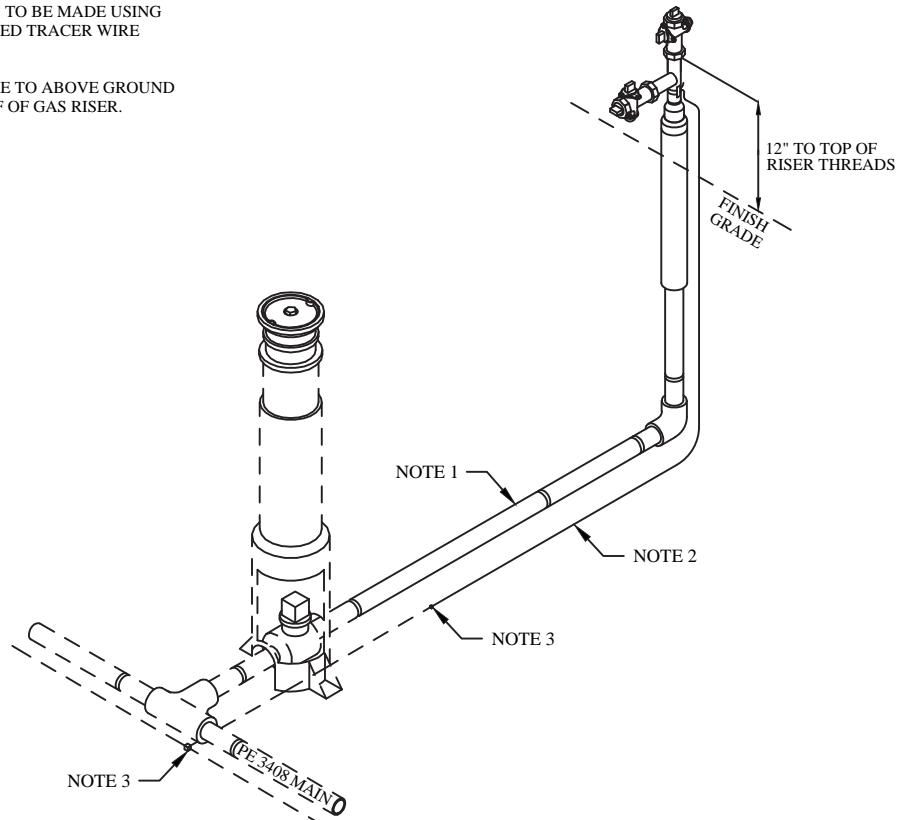
MATERIALS LIST - STI24G			
ITEM	STOCK #	QTY	DESCRIPTION
A	43-0227	1.0	VALVE 2" WELD X FLANGE
B	45-6030	1.0	TRANSITION FITTING FLANGED 2" IPS PE3408
C	45-0642	1.0	COUPLING ELECTROFUSION 2" IPS
D	41-0200	1.0	PIPE 2" STEEL FBE API5L A25
E	47-0040	1.0	GASKET COMPRESSED FIBER 2"
F	47-0340	4.0	BOLT MACHINE 5/8" X 2-1/2" HEX HEAD W/HEX NUT
G	43-0010	1.0	BOX 6" VALVE CAST IRON
H	43-0095	1.0	COVER BOX VALVE GAS 6"
I	41-3000	3.0	PIPE PVC 6" SEWER 6.275 O.D. SDR 35 FOR VALVES
J	45-1910	1.0	RISER GAS 2"
K	43-0080	1.0	COCK GAS METER 2"
L	43-0050	1.0	COCK GAS METER 1"
M	45-1740	1.0	PLUG PIPE 2" BLACK
N	45-1720	1.0	PLUG PIPE 1" BLACK
O	47-0038	1.0	CADWELD CHARGE
P	47-0037	1.0	CADWELD SLEEVE
Q*	45-6502	1.0	WELD-O-LET, 2" BRANCH, 2" MAIN
Q*	45-6504	1.0	WELD-O-LET, 2" BRANCH, 4-6" MAIN
Q*	45-6506	1.0	WELD-O-LET, 2" BRANCH, 8-18" MAIN

COATING MATERIALS LIST		
STOCK #	QTY	DESCRIPTION
47-0280	1.0	VALVE PRIMER
47-0276	1.0	VALVE FILLER
47-0272	1.0	2" WIDE WAX WRAP TAPE
47-0278	1.0	PLASTIC OUTER WRAP
47-0600	1.0	CADWELD "HANDY CAP"

	VOLUME 15 - ENGINEERING & CONSTRUCTION STANDARD	GSTI-GEA GSTI-GEB GSTI-HEF								
	SERVICE TAP INSTALLATIONS 2" PE SERVICE OFF STEEL MAIN									
<table border="1" style="width: 100%; border-collapse: collapse;"> <tr> <td style="width: 25%;">Drawn:</td> <td style="width: 25%;">Eng:</td> <td style="width: 25%;">Appr:</td> <td style="width: 25%;">Date:</td> </tr> <tr> <td>CM</td> <td>CLD</td> <td>XX</td> <td>6/2017</td> </tr> </table>	Drawn:	Eng:	Appr:	Date:	CM	CLD	XX	6/2017	Revision: X Page 48 of 53	
Drawn:	Eng:	Appr:	Date:							
CM	CLD	XX	6/2017							

NOTES:

- 1) 2" PE3408 PIPE LENGTH TO BE DETERMINED BY PLANNER.
- 2) TRACER WIRE TO BE INSTALLED PER THE GAS CONSTRUCTION SPECIFICATIONS.
- 3) ALL WIRE SPLICES TO BE MADE USING CURRENT APPROVED TRACER WIRE CONNECTOR.
- 4) TAPE TRACER WIRE TO ABOVE GROUND STEEL PORTION OF OF GAS RISER.

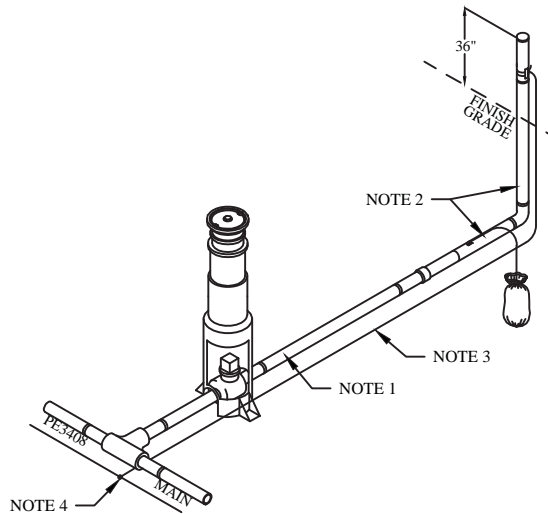


MATERIALS LIST - STI10G			
ITEM	STOCK #	QTY	DESCRIPTION
A	41-5040	1.0	PIPE 2" IPS PE3408
B	45-0732	1.0	ELBOW PE3408 90 DEGREE 1" IPS BUTT FUSION
C	45-1910	1.0	RISER GAS 2"
D	43-0050	1.0	COCK GAS METER 1"
E	43-0080	1.0	COCK GAS METER 2"
F	45-1720	1.0	PLUG PIPE 1" BLACK
G	45-1740	1.0	PLUG PIPE 2" BLACK
H	45-7000	1.0	TRACER WIRE CONNECTOR

	VOLUME 15 - ENGINEERING & CONSTRUCTION STANDARD	GSTI-HED								
	SERVICE TAP INSTALLATIONS 2" PE SINGLE SERVICE COMPLETION									
<table border="1" style="width: 100%; border-collapse: collapse;"> <tr> <td style="width: 25%;">Drawn:</td> <td style="width: 25%;">Eng:</td> <td style="width: 25%;">Appr:</td> <td style="width: 25%;">Date:</td> </tr> <tr> <td>CM</td> <td>CLD</td> <td>XX</td> <td>6/2017</td> </tr> </table>	Drawn:	Eng:	Appr:	Date:	CM	CLD	XX	6/2017	Revision: X Page 49 of 53	
Drawn:	Eng:	Appr:	Date:							
CM	CLD	XX	6/2017							

NOTES:

- 1) 4" PE3408 PIPE LENGTH TO BE DETERMINED BY PLANNER.
- 2) STEEL RISER TO BE FIELD FABRICATED. LENGTH OF BASE SHOULD APPROXIMATELY EQUAL LENGTH OF RISER.
- 3) TRACER WIRE TO BE INSTALLED PER THE GAS CONSTRUCTION SPECIFICATIONS.
- 4) ALL WIRE SPLICES TO BE MADE USING CURRENT APPROVED TRACER WIRE CONNECTOR.
- 5) ANODE WIRE TO BE CADWELDED TO RISER AND COATED CURRENT APPROVED COATING.
- 6) COAT ALL STEEL PIPE WITH CURRENT APPROVED COATING.
- 7) TAPE TRACER WIRE TO ABOVE GROUND STEEL PORTION OF OF GAS RISER.



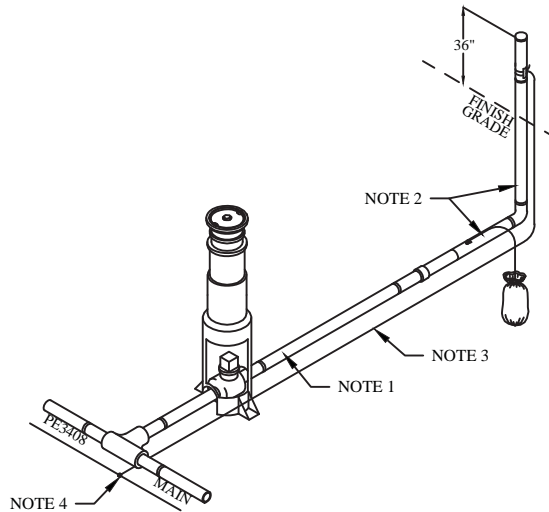
MATERIALS LIST - STI12G			
ITEM	STOCK #	QTY	DESCRIPTION
A*	45-2230	1.0	TEE 4" PE3408 BUTT FUSION
A*	45-1764	1.0	TEE REDUCING 6" X 4" PE3408 BUTT FUSION
A*	45-2231	1.0	TEE 6" PE3408 BUTT FUSION
B	43-2040	1.0	VALVE 4" PE3408
C	41-0210	8.0	PIPE 4" STEEL FBE AP15L GRADE B
D	45-0930	1.0	ELBOW WELDING 90 DEGREE 4" STD RADIUS
E	45-2237	1.0	TEE REDUCING 4" X 4" X 2" WELDING
F	45-6020	1.0	TRANSITION FITTING 4" IPS PE340B
G	47-0020	1.0	ANODE MAGNESIUM 3 LB. WITH COVERING
H	45-7600	10.0	WIRE, TRACER YELLOW WITH BLACK STRIPE #14
I	45-7500	10.0	WIRE, TRACER YELLOW #14
J	45-7000	1.0	TRACER WIRE CONNECTOR
K	43-0020	1.0	BOX 3" & 4" PE VALVES TRAFFIC RATED H-20
L	47-0038	1.0	CADWELD CHARGE
M	47-0037	1.0	CADWELD SLEEVE
N	45-0185	1.0	4" WELD CAP

COATING MATERIALS LIST		
STOCK #	QTY	DESCRIPTION
47-0280	1.0	VALVE PRIMER
47-0276	1.0	VALVE FILLER
47-0272	1.0	2" WIDE WAX WRAP TAPE
47-0278	1.0	PLASTIC OUTER WRAP
47-0600	1.0	CADWELD "HANDY CAP"

	VOLUME 15 - ENGINEERING & CONSTRUCTION STANDARD	GSTI-BFB GSTI-CFB GSTI-CGB							
	SERVICE TAP INSTALLATIONS 4", 6" PE COMPLETE SERVICE OFF NEW 4", 6" PE MAIN								
<table border="1" style="width: 100%; border-collapse: collapse;"> <tr> <td style="width: 25%;">Drawn:</td> <td style="width: 25%;">Eng:</td> <td style="width: 25%;">Appr:</td> <td style="width: 25%;">Date:</td> </tr> <tr> <td>CM</td> <td>CLD</td> <td>XX</td> <td>6/2017</td> </tr> </table>	Drawn:	Eng:	Appr:	Date:	CM	CLD	XX	6/2017	Revision: X Page 50 of 53
Drawn:	Eng:	Appr:	Date:						
CM	CLD	XX	6/2017						

NOTES:

- 1) 4" PE3408 PIPE LENGTH TO BE DETERMINED BY PLANNER.
- 2) STEEL RISER TO BE FIELD FABRICATED. LENGTH OF BASE SHOULD APPROXIMATELY EQUAL LENGTH OF RISER.
- 3) TRACER WIRE TO BE INSTALLED PER THE GAS CONSTRUCTION SPECIFICATIONS.
- 4) ALL WIRE SPLICES TO BE MADE USING CURRENT APPROVED TRACER WIRE CONNECTOR.
- 5) ANODE WIRE TO BE CADWELDED TO RISER AND COATED CURRENT APPROVED TRACER WIRE CONNECTOR.
- 6) COAT ALL STEEL PIPE CURRENT APPROVED COATING.
- 7) TAPE TRACER WIRE TO ABOVE GROUND STEEL PORTION OF OF GAS RISER.



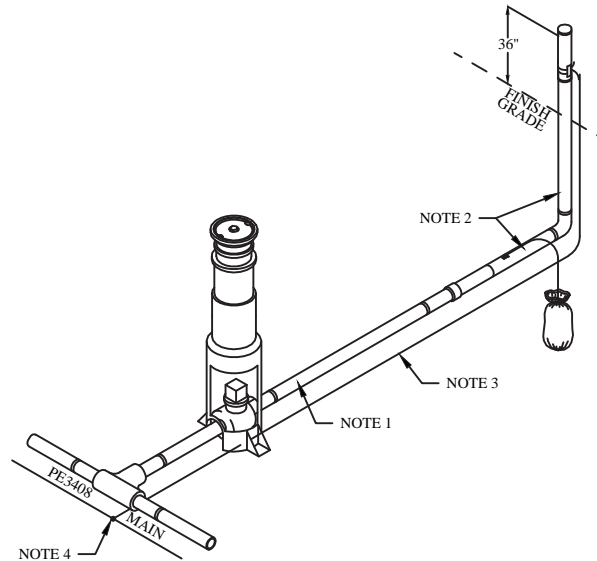
MATERIALS LIST - STI13G			
ITEM	STOCK #	QTY	DESCRIPTION
A	45-5011	1.0	SADDLE BRANCH PLEXCO 4" X 3" PE3408 BUTT FUSION
B	45-1758	1.0	REDUCER 4" x 3" IPS PE3408 BUTT FUSION
C	43-2037	1.0	VALVE 3" PE3408
D	41-0210	8.0	PIPE 4" STEEL FBE AP15L GRADE B
E	45-0930	1.0	ELBOW WELDING 90 DEGREE 4" STD RADIUS
F	45-2237	1.0	TEE REDUCING 4" X 4" X 2" WELDING
G	45-6020	1.0	TRANSITION FITTING 4" IPS PE340B
H	47-0020	1.0	ANODE MAGNESIUM 3 LB. WITH COVERING
I	45-7600	10.0	WIRE, TRACER YELLOW WITH BLACK STRIPE #14
J	45-7500	10.0	WIRE, TRACER YELLOW #14
K	45-7000	1.0	TRACER WIRE CONNECTOR
L	43-0020	1.0	BOX 3" & 4" PE VALVES TRAFFIC RATED H-20
M	47-0038	1.0	CADWELD CHARGE
N	47-0037	1.0	CADWELD SLEEVE
O	450185	1.0	4" WELD CAP

COATING MATERIALS LIST		
STOCK #	QTY	DESCRIPTION
47-0280	1.0	VALVE PRIMER
47-0276	1.0	VALVE FILLER
47-0272	1.0	2" WIDE WAX WRAP TAPE
47-0278	1.0	PLASTIC OUTER WRAP
47-0600	1.0	CADWELD "HANDY CAP"

	VOLUME 15 - ENGINEERING & CONSTRUCTION STANDARD	GSTI-EFB								
	SERVICE TAP INSTALLATIONS 4" PE COMPLETE SERVICE OFF EXISTING 4" PE MAIN									
<table border="1" style="width: 100%; border-collapse: collapse;"> <tr> <td style="width: 25%;">Drawn:</td> <td style="width: 25%;">Eng:</td> <td style="width: 25%;">Appr:</td> <td style="width: 25%;">Date:</td> </tr> <tr> <td>CM</td> <td>CLD</td> <td>XX</td> <td>6/2017</td> </tr> </table>	Drawn:	Eng:	Appr:	Date:	CM	CLD	XX	6/2017	Revision: X Page 51 of 53	
Drawn:	Eng:	Appr:	Date:							
CM	CLD	XX	6/2017							

NOTES:

- 1) 4" PE3408 PIPE LENGTH TO BE DETERMINED BY PLANNER.
- 2) STEEL RISER TO BE FIELD FABRICATED. LENGTH OF BASE SHOULD APPROXIMATELY EQUAL LENGTH OF RISER.
- 3) TRACER WIRE TO BE INSTALLED PER THE GAS CONSTRUCTION SPECIFICATIONS.
- 4) ALL WIRE SPLICES TO BE MADE USING CURRENT APPROVED TRACER WIRE CONNECTOR.
- 5) ANODE WIRE TO BE CADWELDED TO RISER AND COATED CURRENT APPROVED COATING.
- 6) COAT ALL STEEL PIPE WITH CURRENT APPROVED COATING.
- 7) TAPE TRACER WIRE TO ABOVE GROUND STEEL PORTION OF OF GAS RISER.



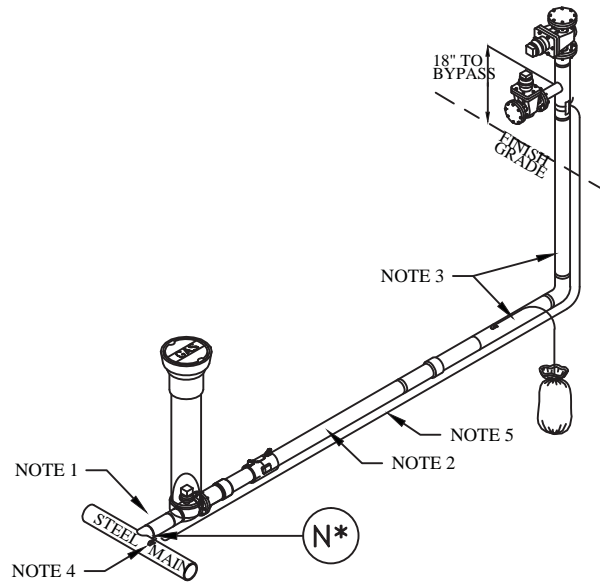
MATERIALS LIST - STI14G			
ITEM	STOCK #	QTY	DESCRIPTION
A	45-5016	1.0	SADDLE BRANCH PLEXCO 6" X 4" PE3408 BUTT FUSION
B	43-2040	1.0	VALVE 4" PE3408
C	41-0210	8.0	PIPE 4" STEEL XTRU COAT AP15L GRADE B
D	45-0930	1.0	ELBOW WELDING 90 DEGREE 4" STD RADIUS
E	45-2237	1.0	TEE REDUCING 4" X 4" X 2" WELDING
F	45-6020	1.0	TRANSITION FITTING 4" IPS PE340B
G	47-0020	1.0	ANODE MAGNESIUM 3 LB. WITH COVERING
H	45-7600	10.0	WIRE, TRACER YELLOW WITH BLACK STRIPE #14
I	45-7500	10.0	WIRE, TRACER YELLOW #14
J	45-7000	1.0	TRACER WIRE CONNECTOR
K	43-0020	1.0	BOX 3" & 4" PE VALVES TRAFFIC RATED H-20
L	47-0038	1.0	CADWELD CHARGE
M	47-0037	1.0	CADWELD SLEEVE
N	TBD	1.0	6" WELD CAP

COATING MATERIALS LIST		
STOCK #	QTY	DESCRIPTION
47-0280	1.0	VALVE PRIMER
47-0276	1.0	VALVE FILLER
47-0272	1.0	2" WIDE WAX WRAP TAPE
47-0278	1.0	PLASTIC OUTER WRAP
47-0600	1.0	CADWELD "HANDY CAP"

	VOLUME 15 - ENGINEERING & CONSTRUCTION STANDARD	GSTI-FFB								
	SERVICE TAP INSTALLATIONS 6" PE COMPLETE SERVICE OFF EXISTING 6" PE MAIN									
<table border="1" style="width: 100%; border-collapse: collapse;"> <tr> <td style="width: 25%;">Drawn:</td> <td style="width: 25%;">Eng:</td> <td style="width: 25%;">Appr:</td> <td style="width: 25%;">Date:</td> </tr> <tr> <td>CM</td> <td>CLD</td> <td>XX</td> <td>6/2017</td> </tr> </table>	Drawn:	Eng:	Appr:	Date:	CM	CLD	XX	6/2017	Revision: X Page 52 of 53	
Drawn:	Eng:	Appr:	Date:							
CM	CLD	XX	6/2017							

NOTES:

- 1) LENGTH OF PUP TO BE SIX INCHES. SADDLE PUP TO FIT MAIN. DO NOT SADDLE VALVE END.
- 2) 4" PE3408 PIPE LENGTH TO BE DETERMINED BY PLANNER
- 3) STEEL RISER TO BE FIELD FABRICATED. LENGTH OF BASE TO APPROXIMATELY EQUAL LENGTH OF RISER
- 4) ALL WIRE CONNECTIONS TO STEEL PIPE TO BE CADWELDED AND COATED WITH CURRENT APPROVED COATING.
- 5) TRACER WIRE TO BE INSTALLED PER GAS CONSTRUCTION SPECIFICATIONS.
- 6) COAT ALL STEEL PIPE AND VALVE WITH CURRENT APPROVED COATING.
- 7) TAPE TRACER WIRE TO ABOVE GROUND STEEL PORTION OF GAS SERVICE.



MATERIALS LIST - STI25G			
ITEM	STOCK #	QTY	DESCRIPTION
A	43-0237	1.0	VALVE 4" WELD X FLANGE
B	45-6040	1.0	TRANSITION FITTING FLANGED 4" IPS PE3408
C	45-0644	1.0	COUPLING ELECTROFUSION 4" IPS
D	41-0210	1.0	PIPE 4" STEEL FBE APISL A25
E	47-0050	2.0	GASKET COMPRESSED FIBER 4"
F	47-0360	24.0	BOLT MACHINE 5/8" X 3" HEX HEAD W/HEX NUT
G	43-0010	1.0	BOX 6" VALVE CAST IRON
H	43-0095	1.0	COVER BOX VALVE GAS 6"
I	41-3000	3.0	PIPE PVC 6" SEWER 6.275 O.D. SDR 35 FOR VALVES
J	45-6020	1.0	TRANSITION FITTING 4" PE 3408
K	47-0020	1.0	ANODE MAGNESIUM 3# WITH COVERING
L	47-0038	1.0	CADWELD CHARGE
M	47-0037	1.0	CADWELD SLEEVE
N*	45-6512	1.0	WELD-O-LET, 4" BRANCH OFF OF 4" MAIN
N*	45-6514	1.0	WELD-O-LET, 4" BRANCH OFF OF 8" MAIN
N*	45-6516	1.0	WELD-O-LET, 4" BRANCH OFF OF 12-18" MAIN

COATING MATERIALS LIST		
STOCK #	QTY	DESCRIPTION
47-0280	1.0	VALVE PRIMER
47-0276	1.0	VALVE FILLER
47-0272	1.0	2" WIDE WAX WRAP TAPE
47-0278	1.0	PLASTIC OUTER WRAP
47-0600	1.0	CADWELD "HANDY CAP"

	VOLUME 15 - ENGINEERING & CONSTRUCTION STANDARD	GSTI-GFB GSTI-HFF							
	SERVICE TAP INSTALLATIONS 4" PE BRANCH SERVICE OFF STEEL MAIN								
<table border="1" style="width: 100%; border-collapse: collapse;"> <tr> <td style="width: 25%;">Drawn:</td> <td style="width: 25%;">Eng:</td> <td style="width: 25%;">Appr:</td> <td style="width: 25%;">Date:</td> </tr> <tr> <td>CM</td> <td>CLD</td> <td>XX</td> <td>6/2017</td> </tr> </table>	Drawn:	Eng:	Appr:	Date:	CM	CLD	XX	6/2017	Revision: X Page 53 of 53
Drawn:	Eng:	Appr:	Date:						
CM	CLD	XX	6/2017						