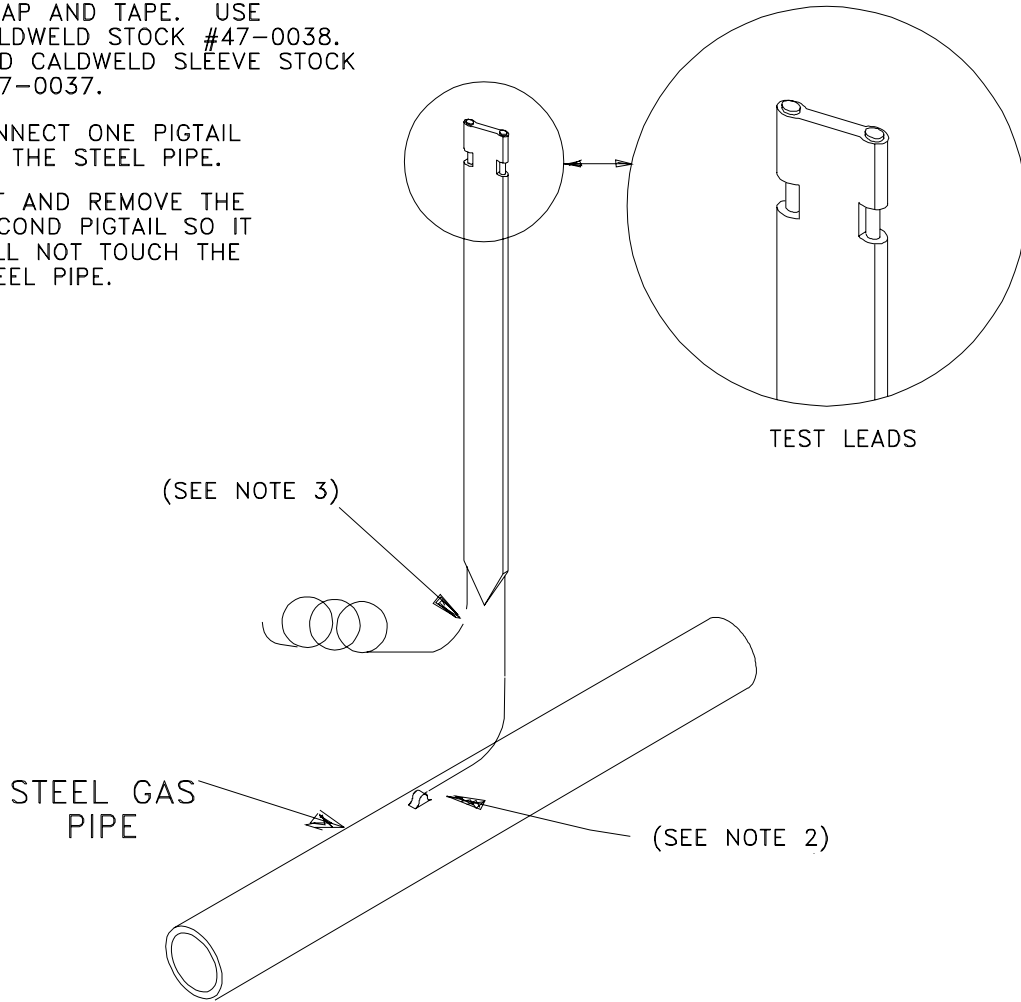


NOTES:

- 1) ALL WIRE CONNECTIONS TO STEEL PIPE TO BE CADWELDED AND COATED WITH PRIMER, PROTECTO-WRAP AND TAPE. USE CALDWELD STOCK #47-0038. AND CALDWELD SLEEVE STOCK #47-0037.
- 2) CONNECT ONE PIGTAIL TO THE STEEL PIPE.
- 3) CUT AND REMOVE THE SECOND PIGTAIL SO IT WILL NOT TOUCH THE STEEL PIPE.



MATERIAL LIST

STOCK #	QTY.	DESCRIPTION
95-0517	1.0	MARKER POST YELLOW 3-3/4" X 62" FIBERGLASS FOR CP TEST STATION
47-0180	1.0	PRIMER
47-0260	0.2	TAPE PROTECTO-WRAP 6IN X 50FT
47-0290	0.2	TAPE BLACK 1IN X 100FT

DRAWN	DESIGN	SUPR	DATE	REV
KS	MR	DS	5/98	7/06