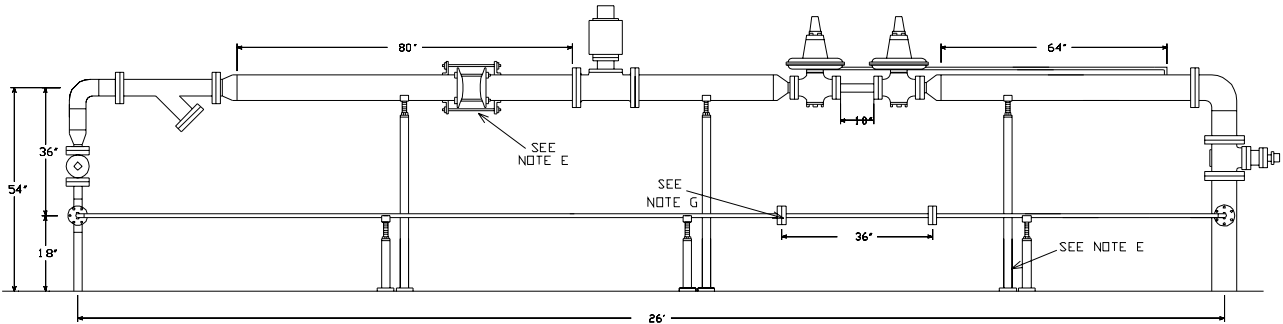
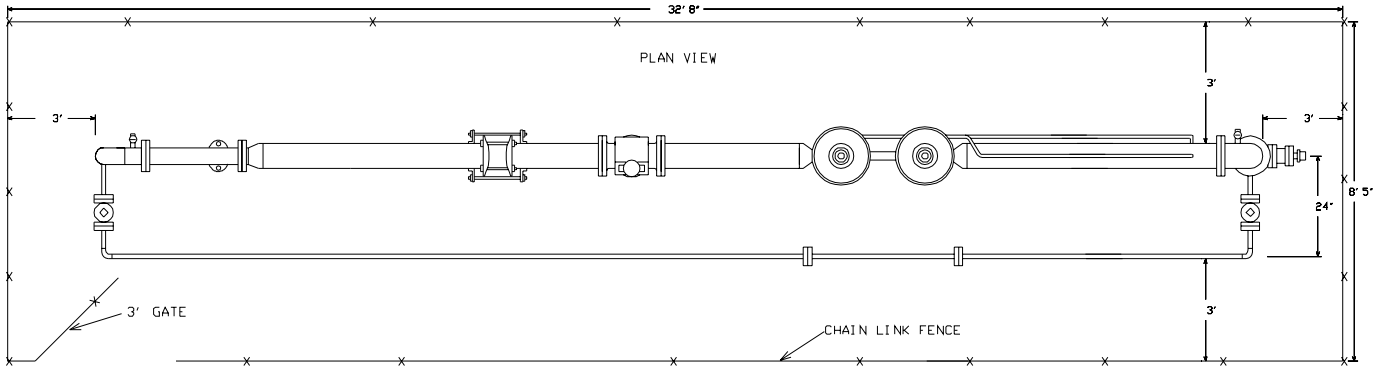


SIDE ELEVATION



PLAN VIEW



ENGINEERING & CONSTRUCTION STANDARD
SECTION 5 GAS METER INSTALLATIONS
GAS METER INSTALLATIONS
METER SET
8 GT - #'S DELIVERED

SHEET 54 OF 55

DRAWING NUMBER
GMI49G

DRAWN	DESIGN	SUPR	DATE	REV
GD	KS	DS	5/98	7/06

MATERIAL LIST

STOCK #	QTY.	DESCRIPTION
47-0050	5.0	GASKET FULL FACE 4" X 9"
45-1010	2.0	FLANGE SLIP-ON WELDING 4"
45-1862	1.0	REDUCER 6" X 4" FLANGED ECCENTRIC
51-0095	1.0	PIPE 6" STANDARD STEEL (6.625" O.D.)
45-0932	1.0	ELBOW WELDING 90 DEGREE 6" SHORT RADIUS
45-1020	1.0	FLANGE SLIP-ON WELDING 6"
47-0055	2.0	GASKET FULL FACE 6" X 11"
47-0390	16.0	BOLT MACHINE BLK HEX HEAD W/HEX NUT 3/4" X 3 1/4" (G&W)
57-1917	1.0	REDUCER 8" X 6" WELDING
51-0100	20.0	PIPE STANDARD STEEL (8.625" O.D.)
45-0580	1.0	COUPLING COMPRESSION 8-5/8" OD COATED
45-1030	6.0	FLANGE SLIP-ON WELDING 8"
47-0060	5.0	GASKET FULL FACE 8" X 13-1/2"
45-3025	2.0	REDUCER 8" X 4" WELDING CONCENTRIC
47-0360	32.0	BOLT MACHINE BLK HEX HEAD W/HEX NUT 5/8" X 3" (G&W)
51-0090	1.0	PIPE 4" STANDARD STEEL (4.5" O.D.)
45-0934	1.0	ELBOW WELDING 90 DEGREE 8" SHORT RADIUS
43-0145	1.0	VALVE 8" FLANGED NON-LUBRICATED
47-0040	6.0	GASKET FULL FACE 2" X 6"
45-0990	7.0	FLANGE SLIP-ON WELDING 2"
51-0086	30.0	PIPE 2" STANDARD STEEL (2.375" O.D.)
45-0910	2.0	ELBOW WELDING 90 DEGREE 2"
47-0350	16.0	BOLT MACHINE BLK HEX HEAD W/HEX NUT 5/8" X 2-3/4" (G&W)
43-0125	1.0	VALVE 2" FLANGED ENDS
45-1140	2.0	NIPPLE PIPE 3/4" X 3" BLACK
43-0040	2.0	COCK 3/4" GAS METER
45-1710	2.0	PLUG PIPE 3/4" BLACK
45-1064	3.0	FLANGE WELD NECK 4"
45-1066	1.0	FLANGE WELD NECK 6"
47-0410	40.0	BOLT MACHINE BLK HEX HEAD W/HEX NUT 7/8" X 4" (G&W)

NOTE:

- A) THIS COMPATIBLE UNIT REQUIRES A 4" RISER.
- B) METER, STRAINER AND REGULATORS ARE ITEMS WHICH MUST BE SPECIAL ORDERED THROUGH THE GAS METER SHOP.
- C) CUSTOMER SHALL INSTALL A 6' CHAIN LINK FENCE WITH A 3' GATE AS SHOWN AT HIS OWN EXPENSE. MINIMUM CLEARANCE FROM THE FENCE TO ANY METER SET PIPING SHALL BE 3'.
- D) IF THE METER SET IS TO BE CONSTRUCTED IN SOIL AREA, THE CUSTOMER SHALL PROVIDE CONCRETE PADS FOR ALL VERTICAL SUPPORTS. EACH PAD SHOULD BE 15" X 15" WITH A DEPTH OF 4".
- E) THE VERTICAL SUPPORTS AND "L" BRACKETS WITH BOLTS WILL BE FABRICATED BY SPPCO. MACHINE SHOP.
- F) CONCRETE, ASPHALT, BRICK OR SURFACING MATERIAL SHALL NOT BE INSTALLED WITHIN A 12" RADIUS OF THE RISER.
- G) INSTALL PLATE FABRICATED BY SPPCO. MACHINE SHOP.



ENGINEERING & CONSTRUCTION STANDARD

SECTION 5 GAS CONSTRUCTION DRAWINGS
 GAS METER INSTALLATIONS
 METER SET
 8 GT - #'S DELIVERED

SHEET 55 OF 55

DRAWING NUMBER

GMI49G

DRAWN	DESIGN	SUPR	DATE	REV
GD	KS	DS	5/98	7/06