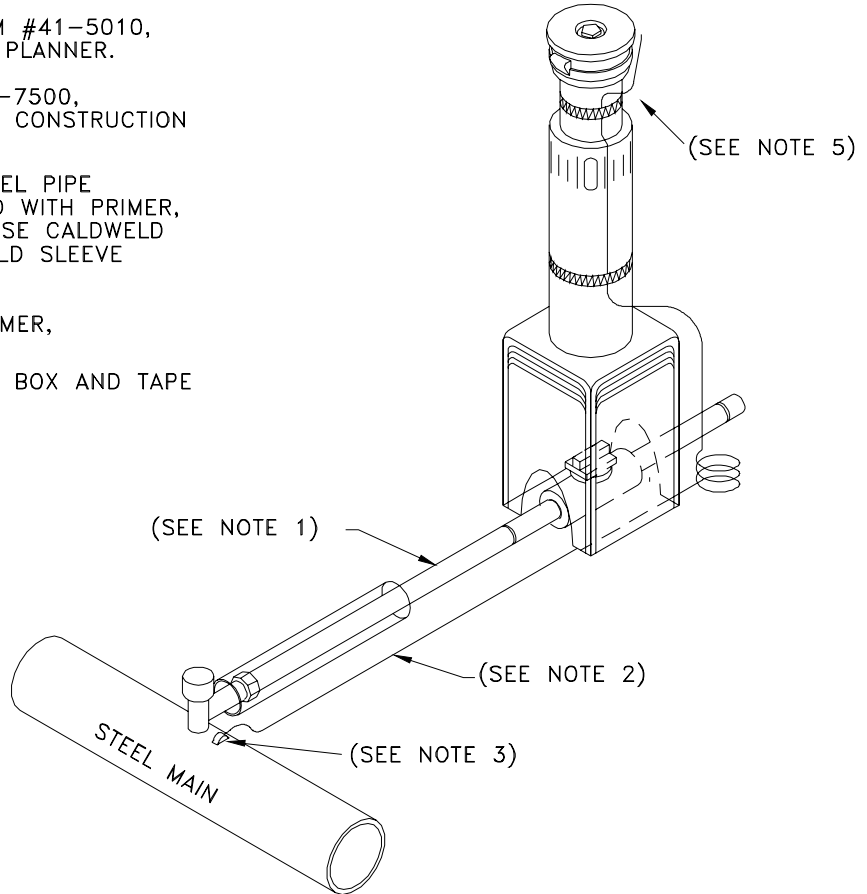


NOTES:

- 1) 3/4" PE3408 PIPE, STOCK ITEM #41-5010, LENGTH TO BE DETERMINED BY PLANNER.
- 2) TRACER WIRE, STOCK ITEM #45-7500, TO BE INSTALLED PER THE GAS CONSTRUCTION SPECIFICATIONS.
- 3) ALL WIRE CONNECTIONS TO STEEL PIPE TO BE CADWELDED AND COATED WITH PRIMER, PROTECTO-WRAP AND TAPE. USE CALDWELD STOCK #47-0038 AND CALDWELD SLEEVE STOCK #47-0037.
- 4) COAT ALL STEEL PIPE WITH PRIMER, PROTECTO-WRAP AND TAPE.
- 5) RAISE TRACER WIRE TO TOP OF BOX AND TAPE IN TWO PLACES.



MATERIAL LIST

STOCK #	QTY.	DESCRIPTION
45-2200	1.0	TEE SERVICE 3/4" COMP. OUTLET X 3/4" WELD BASE
47-0259	1.0	SLEEVE 3" X 2' PVC SCH 80
43-2000	1.0	VALVE 3/4" PE3408
43-0015	1.0	BOX CURB GAS FOR 3/4" AND 1" VALVES
45-0152	1.0	CAP 3/4" PE3408 BUTT FUSION



ENGINEERING & CONSTRUCTION STANDARD  
SECTION 5 GAS CONSTRUCTION DRAWINGS  
SERVICE TAP INSTALLATIONS

SHEET 18 OF 33

DRAWING NUMBER

3/4" PE SERVICE STUB  
OFF STEEL MAIN

**STI15G**

DRAWN	DESIGN	SUPR	DATE	REV
KS	KS	HB	5/98	7/06